

## FOREWORD

This wiring diagram manual has been prepared to provide information on the electrical system of the 2002 PRIUS.

Applicable models: NHW11 Series

For service specifications and repair procedures of the above models other than those listed in this manual, refer to the following manuals;

Manual Name	Pub. No.
● 2002 PRIUS Repair Manual	
Volume 1	RM883U1
Volume 2	RM883U2
● 2002 TOYOTA New Car Features	NCF214U

All information in this manual is based on the latest product information at the time of publication. However, specifications and procedures are subject to change without notice.

## TOYOTA MOTOR CORPORATION

### CAUTION

**When repairing the hybrid vehicle (HV), always follow the direction given in the repair manual listed above to prevent electrical shock, leakage or explosion.**

### NOTICE

**When handling supplemental restraint system components (removal, installation or inspection, etc.), always follow the direction given in the repair manuals listed above to prevent accidents and supplemental restraint system malfunction.**

# A INTRODUCTION

---

This manual consists of the following 13 sections:

No.	Section	Description
A	INDEX	Index of the contents of this manual.
	INTRODUCTION	Brief explanation of each section.
B	HOW TO USE THIS MANUAL	Instructions on how to use this manual.
C	TROUBLE-SHOOTING	Describes the basic inspection procedures for electrical circuits.
D	ABBREVIATIONS	Defines the abbreviations used in this manual.
E	GLOSSARY OF TERMS AND SYMBOLS	Defines the symbols and functions of major parts.
F	RELAY LOCATIONS	Shows position of the Electronic Control Unit, Relays, Relay Block, etc. This section is closely related to the system circuit.
G	ELECTRICAL WIRING ROUTING	Describes position of Parts Connectors, Splice points, Ground points, etc. This section is closely related to the system circuit.
H	INDEX	Index of the system circuits.
	SYSTEM CIRCUITS	Electrical circuits of each system are shown from the power supply through ground points. Wiring connections and their positions are shown and classified by code according to the connection method. (Refer to the section, "How to use this manual"). The "System Outline" and "Service Hints" useful for troubleshooting are also contained in this section.
I	GROUND POINT	Shows ground positions of all parts described in this manual.
J	POWER SOURCE (Current Flow Chart)	Describes power distribution from the power supply to various electrical loads.
K	CONNECTOR LIST	Describes the form of the connectors for the parts appeared in this book. This section is closely related to the system circuit.
L	PART NUMBER OF CONNECTORS	Indicates the part number of the connectors used in this manual.
M	OVERALL ELECTRICAL WIRING DIAGRAM	Provides circuit diagrams showing the circuit connections.

## **HOW TO USE THIS MANUAL B**

---

This manual provides information on the electrical circuits installed on vehicles by dividing them into a circuit for each system.

The actual wiring of each system circuit is shown from the point where the power source is received from the battery as far as each ground point. (All circuit diagrams are shown with the switches in the OFF position.)

When troubleshooting any problem, first understand the operation of the circuit where the problem was detected (see System Circuit section), the power source supplying power to that circuit (see Power Source section), and the ground points (see Ground Point section). See the System Outline to understand the circuit operation.

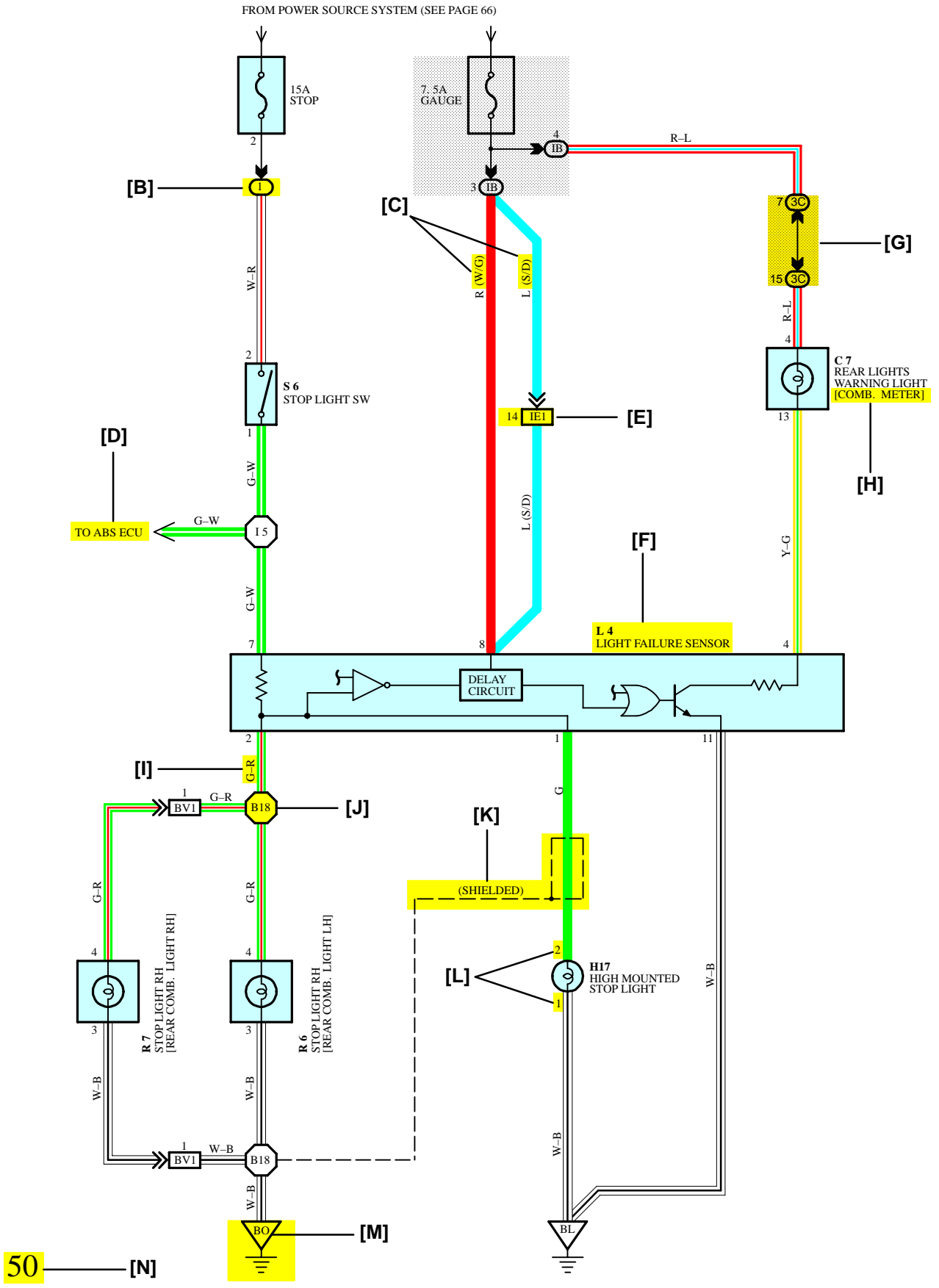
When the circuit operation is understood, begin troubleshooting of the problem circuit to isolate the cause. Use Relay Location and Electrical Wiring Routing sections to find each part, junction block and wiring harness connectors, wiring harness and wiring harness connectors, splice points, and ground points of each system circuit. Internal wiring for each junction block is also provided for better understanding of connection within a junction block.

Wiring related to each system is indicated in each system circuit by arrows (from\_\_, to\_\_). When overall connections are required, see the Overall Electrical Wiring Diagram at the end of this manual.

# B HOW TO USE THIS MANUAL

\* The system shown here is an EXAMPLE ONLY. It is different to the actual circuit shown in the SYSTEM CIRCUITS SECTION.

## [A] STOP LIGHT



**[A]** : System Title

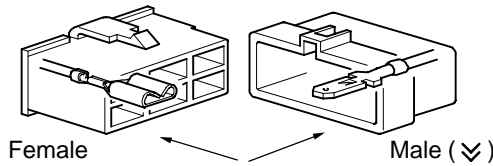
**[B]** : Indicates a Relay Block. No shading is used and only the Relay Block No. is shown to distinguish it from the J/B

Example: ① Indicates Relay Block No.1

**[C]** : ( ) is used to indicate different wiring and connector, etc. when the vehicle model, engine type, or specification is different.

**[D]** : Indicates related system.

**[E]** : Indicates the wiring harness and wiring harness connector. The wiring harness with male terminal is shown with arrows ( ⇨ ). Outside numerals are pin numbers.

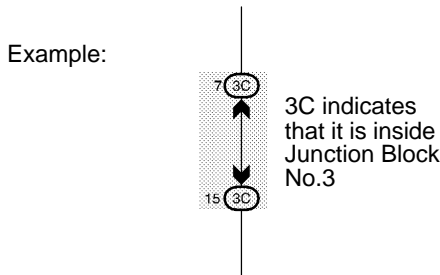


The first letter of the code for each wiring harness and wiring harness connector(s) indicates the component's location, e.g, "E" for the Engine Compartment, "I" for the Instrument Panel and Surrounding area, and "B" for the Body and Surrounding area.

When more than one code has the first and second letters in common, followed by numbers (e.g, IH1, IH2), this indicates the same type of wiring harness and wiring harness connector.

**[F]** : Represents a part (all parts are shown in sky blue). The code is the same as the code used in parts position.

**[G]** : Junction Block (The number in the circle is the J/B No. and the connector code is shown beside it). Junction Blocks are shaded to clearly separate them from other parts.



**[H]** : When 2 parts both use one connector in common, the parts connector name used in the wire routing section is shown in square brackets [ ] .

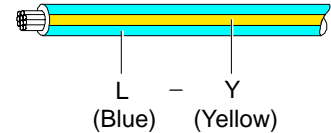
**[I]** : Indicates the wiring color.

Wire colors are indicated by an alphabetical code.

- B = Black    W = White    BR = Brown
- L = Blue    V = Violet    SB = Sky Blue
- R = Red    G = Green    LG = Light Green
- P = Pink    Y = Yellow    GR = Gray
- O = Orange

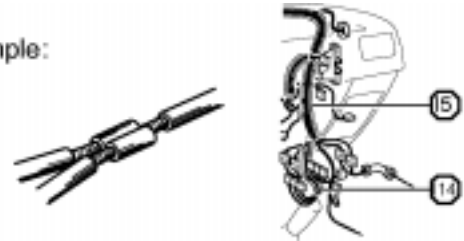
The first letter indicates the basic wire color and the second letter indicates the color of the stripe.

Example: L – Y



**[J]** : Indicates a wiring Splice Point (Codes are "E" for the Engine Room, "I" for the Instrument Panel, and "B" for the Body).

Example:

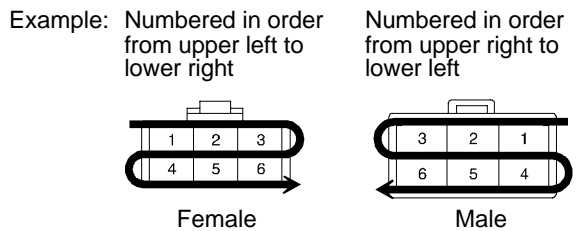


The Location of splice Point I 5 is indicated by the shaded section.

**[K]** : Indicates a shielded cable.



**[L]** : Indicates the pin number of the connector. The numbering system is different for female and male connectors.



**[M]** : Indicates a ground point.

The first letter of the code for each ground point(s) indicates the component's location, e.g, "E" for the Engine Compartment, "I" for the Instrument Panel and Surrounding area, and "B" for the Body and Surrounding area.

**[N]** : Page No.

## B HOW TO USE THIS MANUAL

### [O] SYSTEM OUTLINE

Current is applied at all times through the STOP fuse to TERMINAL 2 of the stop light SW.  
When the ignition SW is turned on, current flows from the GAUGE fuse to TERMINAL 8 of the light failure sensor, and also flows through the rear lights warning light to TERMINAL 4 of the light failure sensor.

#### STOP LIGHT DISCONNECTION WARNING

When the ignition SW is turned on and the brake pedal is pressed (Stop light SW on), if the stop light circuit is open, the current flowing from TERMINAL 7 of the light failure sensor to TERMINALS 1, 2 changes, so the light failure sensor detects the disconnection and the warning circuit of the light failure sensor is activated.

As a result, the current flows from TERMINAL 4 of the light failure sensor to TERMINAL 11 to GROUND and turns the rear lights warning light on. By pressing the brake pedal, the current flowing to TERMINAL 8 of the light failure sensor keeps the warning circuit on and holds the warning light on until the ignition SW is turned off.

### [P] SERVICE HINTS

#### S6 STOP LIGHT SW

2-1 : Closed with the brake pedal depressed

#### L4 LIGHT FAILURE SENSOR

1, 2, 7-GROUND : Approx. 12 volts with the stop light SW on

4, 8-GROUND : Approx. 12 volts with the ignition SW at ON position

11-GROUND : Always continuity

### [Q] ○ : PARTS LOCATION

Code	See Page	Code	See Page	Code	See Page
C7	34	L4	36	R7	37
H17	36	R6	37	S6	35

### [R] ○ : RELAY BLOCKS

Code	See Page	Relay Blocks (Relay Block Location)
1	18	R/B No.1 (Instrument Panel Left)

### [S] ○ : JUNCTION BLOCK AND WIRE HARNESS CONNECTOR

Code	See Page	Junction Block and Wire Harness (Connector Location)
IB	20	Instrument Panel Wire and Instrument Panel J/B (Lower Finish Panel)
3C	22	Instrument Panel Wire and J/B No.3 (Instrument Panel Left Side)

### [T] □ : CONNECTOR JOINING WIRE HARNESS AND WIRE HARNESS

Code	See Page	Joining Wire Harness and Wire Harness (Connector Location)
IE1	42	Floor Wire and Instrument Panel Wire (Left Kick Panel)
BV1	50	Luggage Room Wire and Floor Wire (Luggage Compartment Left)

### [U] ▽ : GROUND POINTS

Code	See Page	Ground Points Location
BL	50	Under the Left Quarter Pillar
BO	50	Back Panel Center

### [V] ○ : SPLICE POINTS

Code	See Page	Wire Harness with Splice Points	Code	See Page	Wire Harness with Splice Points
I5	44	Cowl Wire	B18	50	Luggage Room Wire

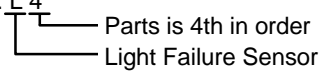
**[O]** : Explains the system outline.

**[P]** : Indicates values or explains the function for reference during troubleshooting.

**[Q]** : Indicates the reference page showing the position on the vehicle of the parts in the system circuit.

Example : Part "L4" (Light Failure Sensor) is on page 36 of the manual.

\* The letter in the code is from the first letter of the part, and the number indicates its order in parts starting with that letter.

Example : L 4  


**[R]** : Indicates the reference page showing the position on the vehicle of Relay Block Connectors in the system circuit.

Example : Connector "1" is described on page 18 of this manual and is installed on the left side of the instrument panel.

**[S]** : Indicates the reference page showing the position on the vehicle of J/B and Wire Harness in the system circuit.

Example : Connector "3C" connects the Instrument Panel Wire and J/B No.3. It is described on page 22 of this manual, and is installed on the instrument panel left side.

**[T]** : Indicates the reference page describing the wiring harness and wiring harness connector (the female wiring harness is shown first, followed by the male wiring harness).

Example : Connector "IE1" connects the floor wire (female) and Instrument panel wire (male). It is described on page 42 of this manual, and is installed on the left side kick panel.

**[U]** : Indicates the reference page showing the position of the ground points on the vehicle.

Example : Ground point "BO" is described on page 50 of this manual and is installed on the back panel center.

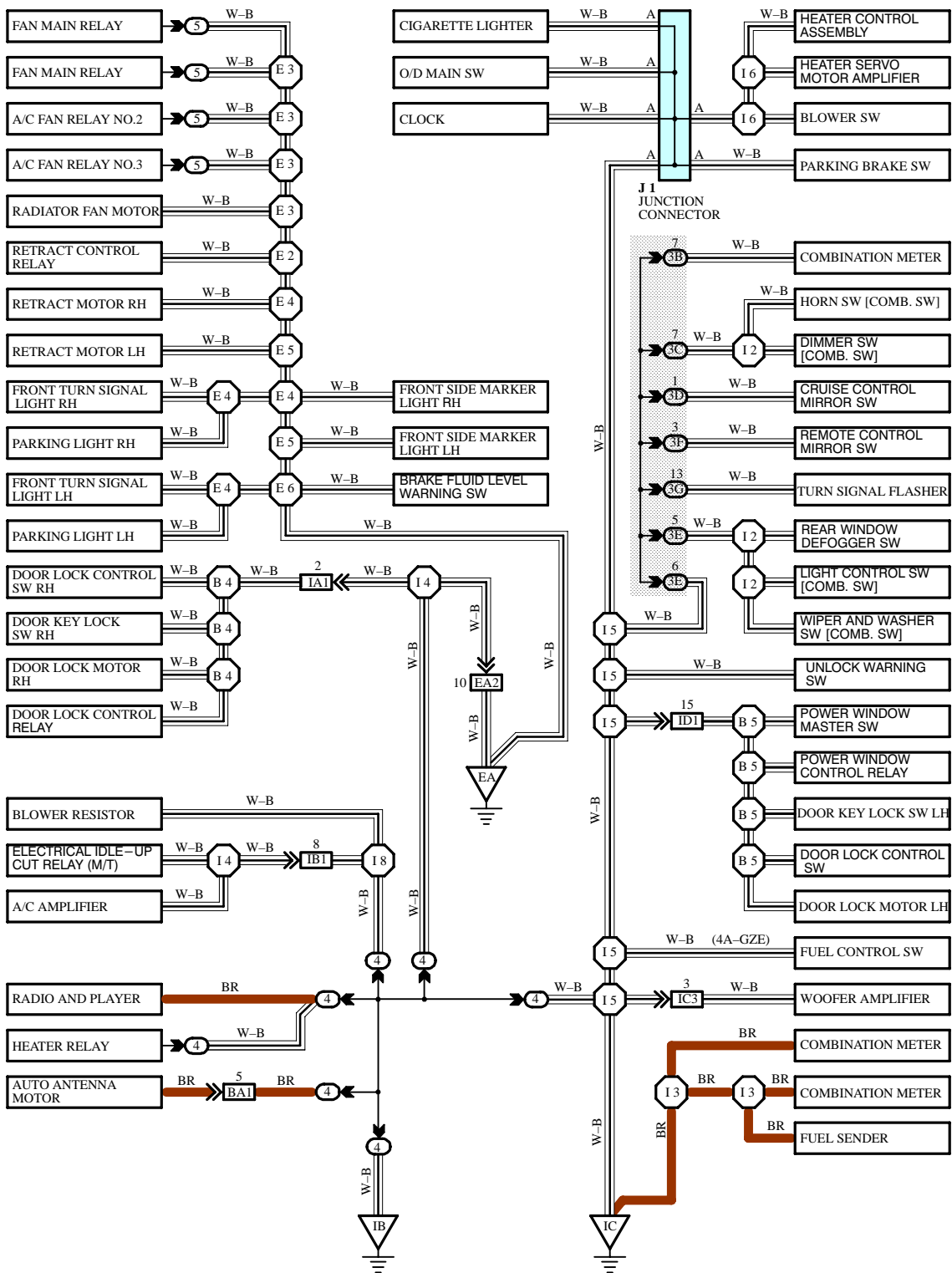
**[V]** : Indicates the reference page showing the position of the splice points on the vehicle.

Example : Splice point "I5" is on the Cowl Wire Harness and is described on page 44 of this manual.

# B HOW TO USE THIS MANUAL

The ground points circuit diagram shows the connections from all major parts to the respective ground points. When troubleshooting a faulty ground point, checking the system circuits which use a common ground may help you identify the problem ground quickly. The relationship between ground points (  $\nabla_{EA}$ ,  $\nabla_{IB}$  and  $\nabla_{IC}$  shown below) can also be checked this way.

## I GROUND POINT



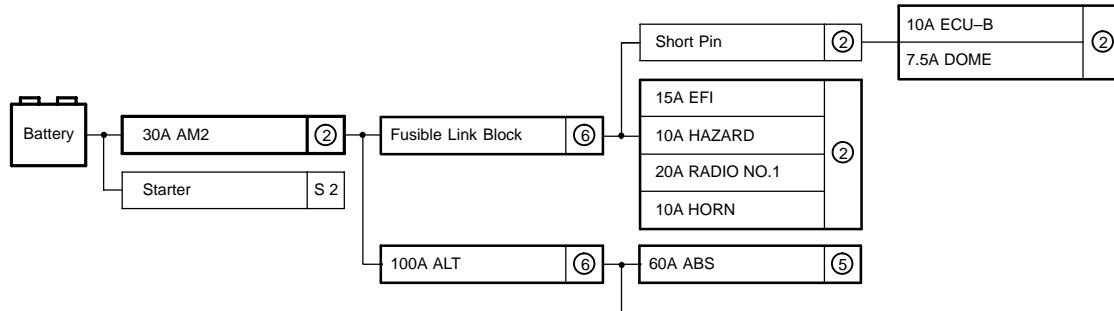
\* The system shown here is an EXAMPLE ONLY. It is different to the actual circuit shown in the SYSTEM CIRCUITS SECTION.



The "Current Flow Chart" section, describes which parts each power source (fuses, fusible links, and circuit breakers) transmits current to. In the Power Source circuit diagram, the conditions when battery power is supplied to each system are explained. Since all System Circuit diagrams start from the power source, the power source system must be fully understood.

### J POWER SOURCE (Current Flow Chart)

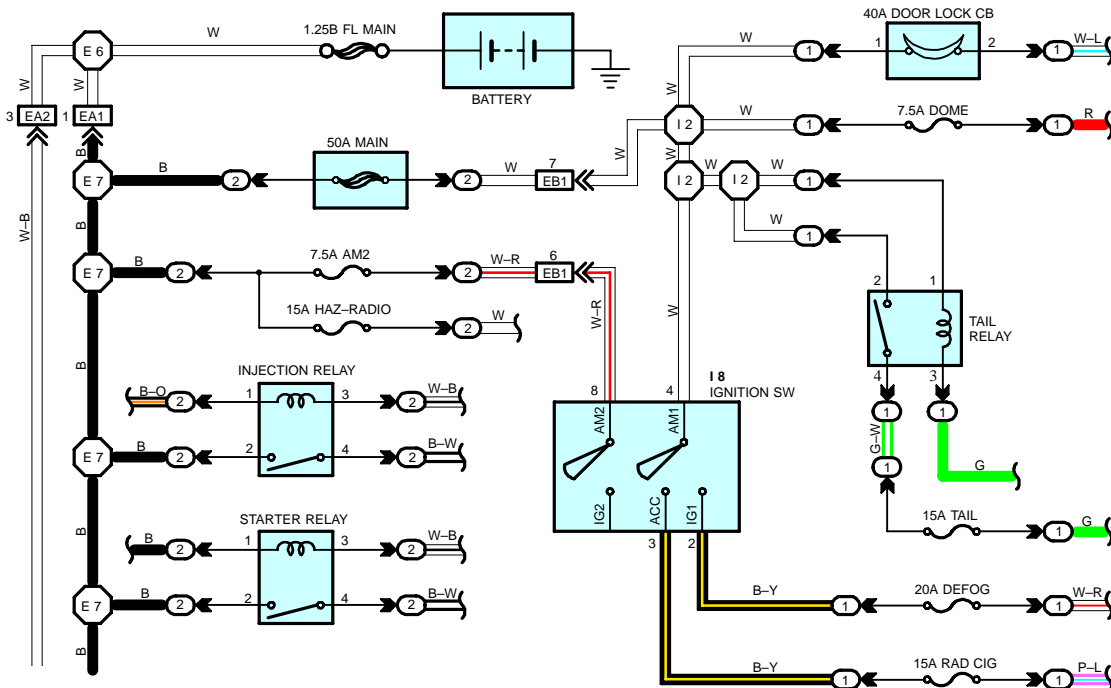
The chart below shows the route by which current flows from the battery to each electrical source (Fusible Link, Circuit Breaker, Fuse, etc.) and other parts.



### Engine Room R/B (See Page 20)

Fuse	System	Page	
20A	STOP	ABS	194
		ABS and Traction Control	187
		Cruise Control	180
		Electronically Controlled Transmission and A/T Indicator	166
		Multiplex Communication System	210
10A	DOME	Cigarette Lighter and Clock	214
		Combination Meter	230
		Headlight	112
		Interior Light	122
		Key Reminder and Seat Belt Warning	
		Light Auto Turn Off	

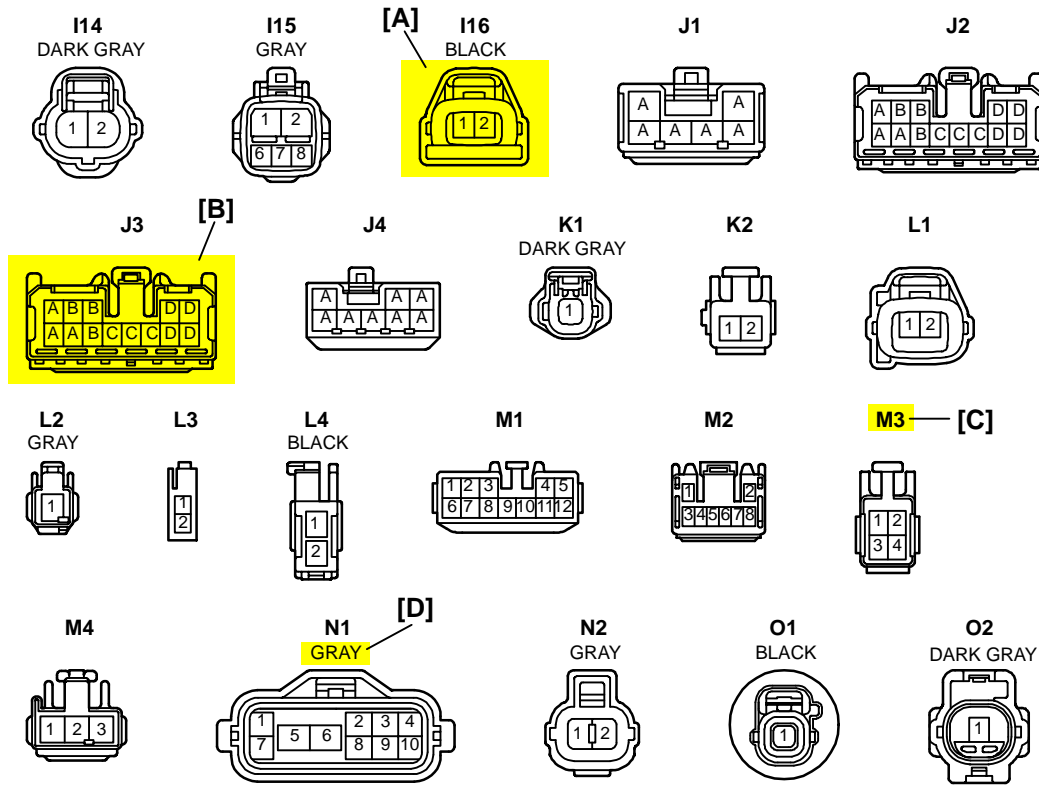
### POWER SOURCE



\* The system shown here is an EXAMPLE ONLY. It is different to the actual circuit shown in the SYSTEM CIRCUITS SECTION.

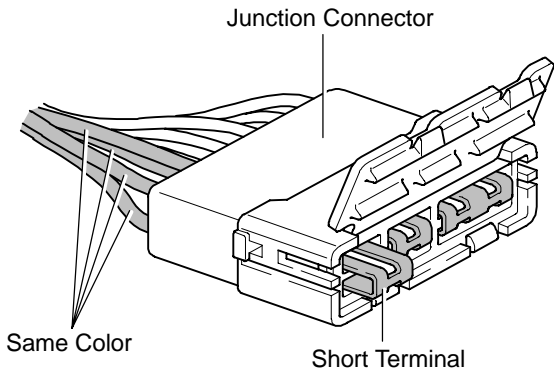
# B HOW TO USE THIS MANUAL

## K CONNECTOR LIST



**[A]** : Indicates connector to be connected to a part. (The numeral indicates the pin No.)

**[B]** : Junction Connector  
Indicates a connector which is connected to a short terminal.



Junction connector in this manual include a short terminal which is connected to a number of wire harnesses. Always perform inspection with the short terminal installed. (When installing the wire harnesses, the harnesses can be connected to any position within the short terminal grouping. Accordingly, in other vehicles, the same position in the short terminal may be connected to a wire harness from a different part.)

Wire harness sharing the same short terminal grouping have the same color.

**[C]** : Parts Code  
The first letter of the code is taken from the first letter of part, and the numbers indicates its order in parts which start with the same letter.

**[D]** : Connector Color  
Connectors not indicated are milky white in color.

## L PART NUMBER OF CONNECTORS

Code	Part Name	Part Number	Code	Part Name	Part Number
A 1	A/C Ambient Temp. Sensor	90980-11070	D 4	Diode (Door Courtesy Light)	90980-11608
A 2	A/C Condenser Fan Motor	90980-11237	D 5	Diode (Key Off Operation)	90980-10962
A 3	A/C Condenser Fan Relay	90980-10940	D 6	Diode (Luggage Compartment Light)	90980-11608
A 4	A/C Triple Pressure SW (A/C Dual and Single Pressure SW)	90980-10943	D 7	Door Lock Control Relay	90980-10848
[A]	A/T Oil Temp. Sensor [B]	90980-11148	D 8	Door Courtesy Light LH	90980-11148
A 6	ABS Actuator	90980-11151	D 9	Door Courtesy Light RH	
A 7	ABS Actuator	90980-11009	D10	Door Courtesy SW LH	90980-11097
A 8	ABS Speed Sensor Front LH	90980-10941	D11	Door Courtesy SW RH	
A 9	ABS Speed Sensor Front RH	90980-11002	D12	Door Courtesy SW Front LH	90980-11156
A 10	Airbag Sensor Front LH	90980-11856	D13	Door Courtesy SW Front RH	
A 11	Airbag Sensor Front RH		D14	Door Courtesy SW Rear LH	
A 12	Airbag Sensor Rear LH	90980-11194	D15	Door Courtesy SW Rear RH	
		90980-11170	D16	Door Courtesy SW Front LH	90980-11170

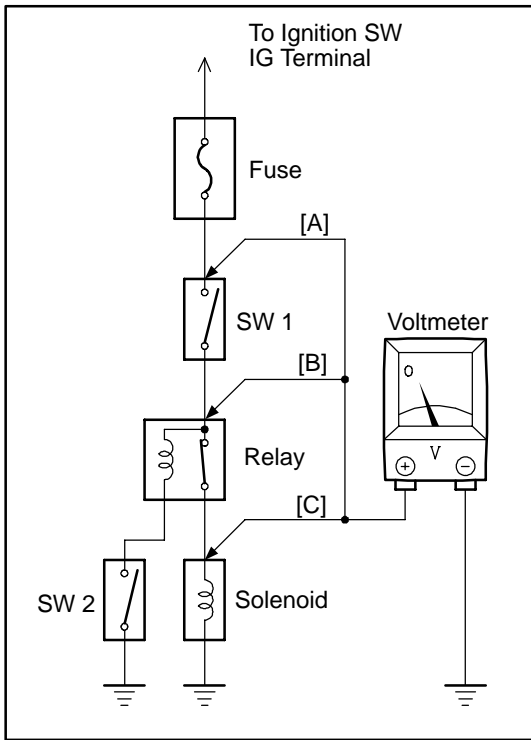
[A] : Part Code

[B] : Part Name

[C] : Part Number  
Toyota Part Number are indicated.

Not all of the above part numbers of the connector are established for the supply. In case of ordering a connector or terminal with wire, please confirm in advance if there is supply for it using "Parts Catalog News" (published by Parts Engineering Administration Dept.).

# C TROUBLESHOOTING



## VOLTAGE CHECK

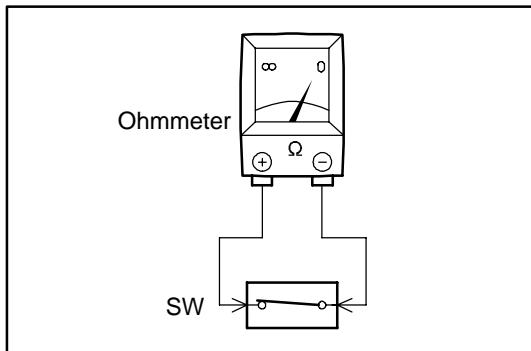
- (a) Establish conditions in which voltage is present at the check point.

Example:

- [A] – Ignition SW on
- [B] – Ignition SW and SW 1 on
- [C] – Ignition SW, SW 1 and Relay on (SW 2 off)

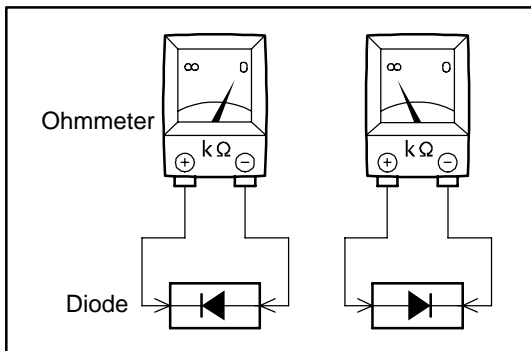
- (b) Using a voltmeter, connect the negative lead to a good ground point or negative battery terminal, and the positive lead to the connector or component terminal.

This check can be done with a test light instead of a voltmeter.



## CONTINUITY AND RESISTANCE CHECK

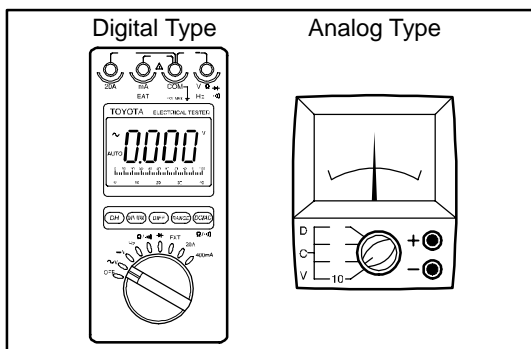
- (a) Disconnect the battery terminal or wire so there is no voltage between the check points.
- (b) Contact the two leads of an ohmmeter to each of the check points.



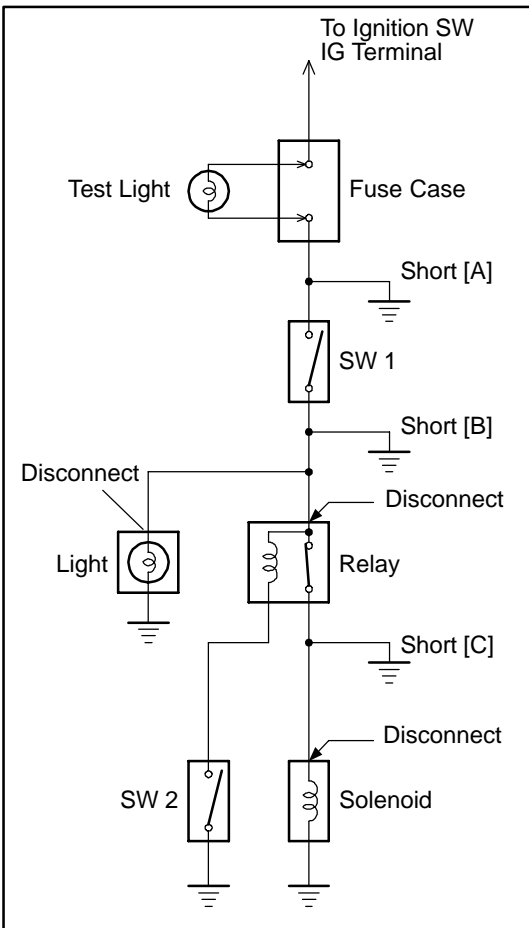
If the circuit has diodes, reverse the two leads and check again.

When contacting the negative lead to the diode positive side and the positive lead to the negative side, there should be continuity.

When contacting the two leads in reverse, there should be no continuity.



- (c) Use a volt/ohmmeter with high impedance (10 k $\Omega$ /V minimum) for troubleshooting of the electrical circuit.



## FINDING A SHORT CIRCUIT

- Remove the blown fuse and disconnect all loads of the fuse.
- Connect a test light in place of the fuse.
- Establish conditions in which the test light comes on.

Example:

- [A] – Ignition SW on
- [B] – Ignition SW and SW 1 on
- [C] – Ignition SW, SW 1 and Relay on (Connect the Relay) and SW 2 off (or Disconnect SW 2)

- Disconnect and reconnect the connectors while watching the test light. The short lies between the connector where the test light stays lit and the connector where the light goes out.
- Find the exact location of the short by lightly shaking the problem wire along the body.

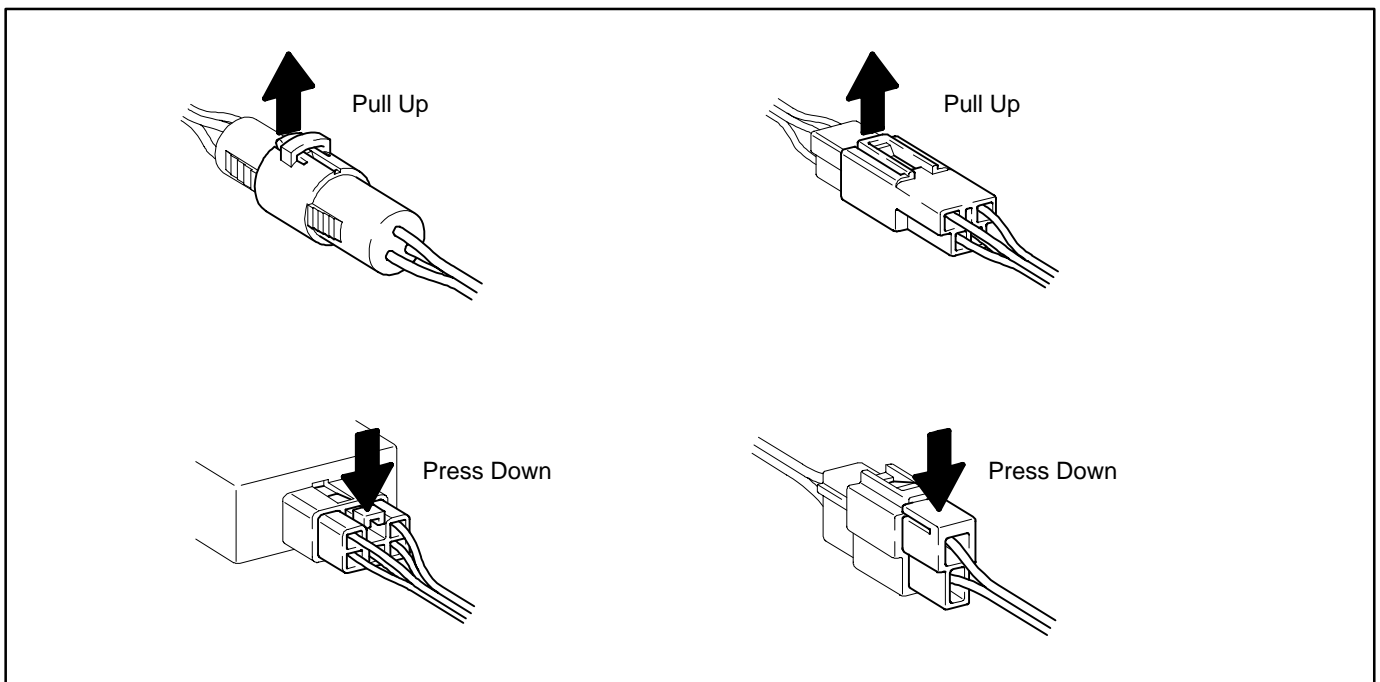
## CAUTION:

- Do not open the cover or the case of the ECU unless absolutely necessary. (If the IC terminals are touched, the IC may be destroyed by static electricity.)
- When replacing the internal mechanism (ECU part) of the digital meter, be careful that no part of your body or clothing comes in contact with the terminals of leads from the IC, etc. of the replacement part (spare part).

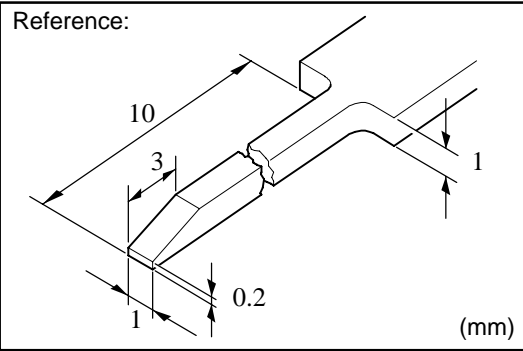
## DISCONNECTION OF MALE AND FEMALE CONNECTORS

To pull apart the connectors, pull on the connector itself, not the wire harness.

HINT: Check to see what kind of connector you are disconnecting before pulling apart.



## C TROUBLESHOOTING



### HOW TO REPLACE TERMINAL (with terminal retainer or secondary locking device)

#### 1. PREPARE THE SPECIAL TOOL

HINT : To remove the terminal from the connector, please construct and use the special tool or like object shown on the left.

#### 2. DISCONNECT CONNECTOR

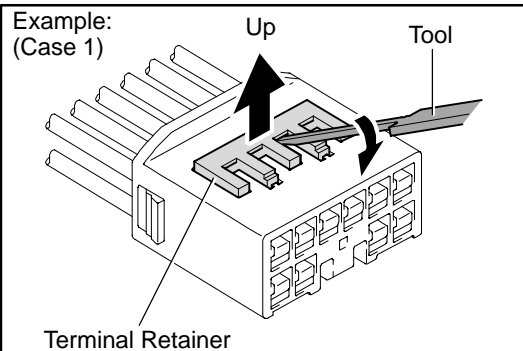
#### 3. DISENGAGE THE SECONDARY LOCKING DEVICE OR TERMINAL RETAINER.

(a) Locking device must be disengaged before the terminal locking clip can be released and the terminal removed from the connector.

(b) Use a special tool or the terminal pick to unlock the secondary locking device or terminal retainer.

#### NOTICE:

**Do not remove the terminal retainer from connector body.**

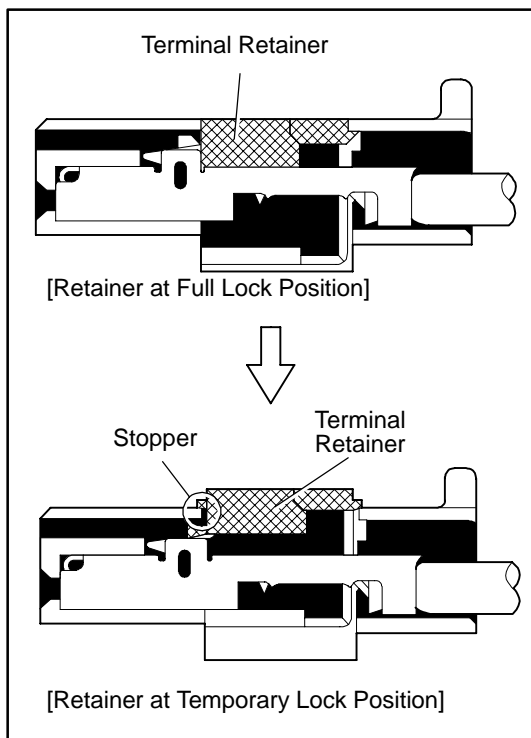


[A] For Non-Waterproof Type Connector

HINT : The needle insertion position varies according to the connector's shape (number of terminals etc.), so check the position before inserting it.

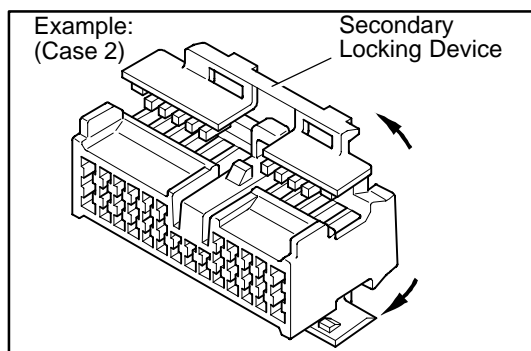
"Case 1"

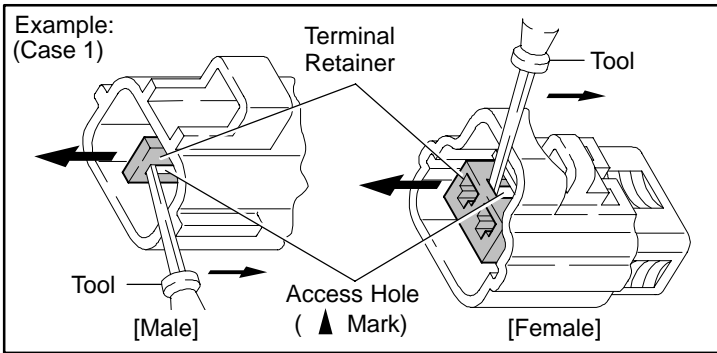
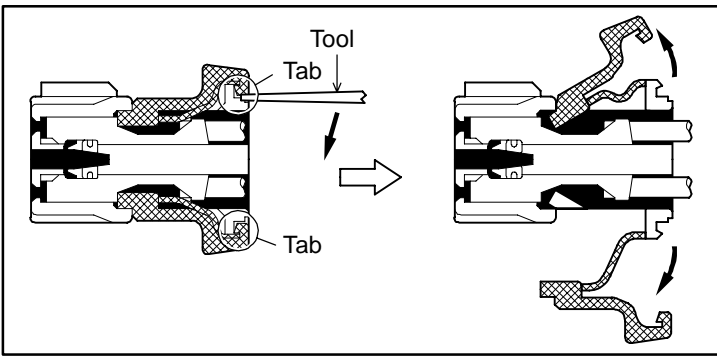
Raise the terminal retainer up to the temporary lock position.



"Case 2"

Open the secondary locking device.





[B] For Waterproof Type Connector

HINT : Terminal retainer color is different according to connector body.

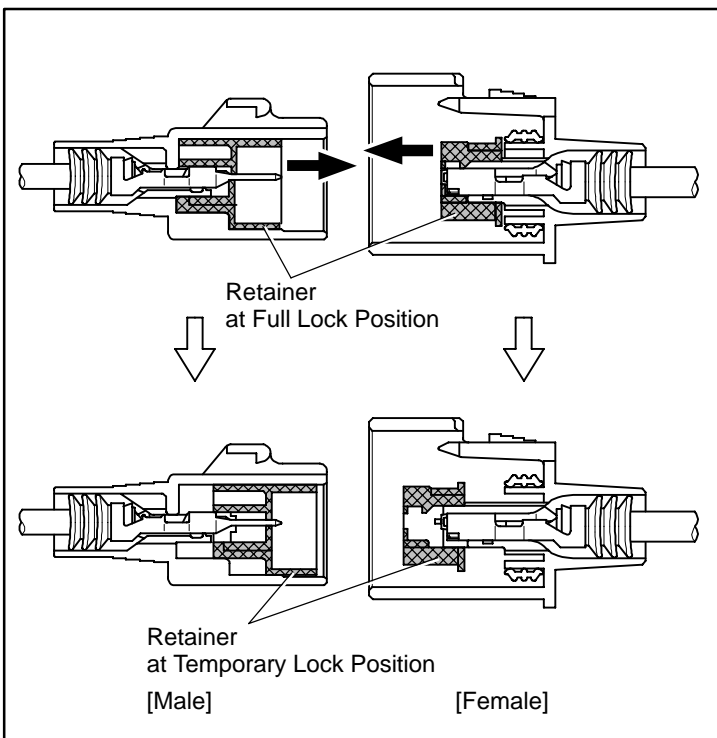
Example:

Terminal Retainer : Connector Body

Black or White : Gray

Black or White : Dark Gray

Gray or White : Black

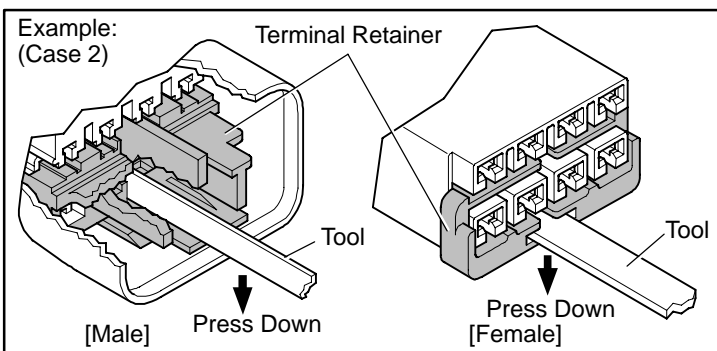


"Case 1"

Type where terminal retainer is pulled up to the temporary lock position (Pull Type).

Insert the special tool into the terminal retainer access hole (▲Mark) and pull the terminal retainer up to the temporary lock position.

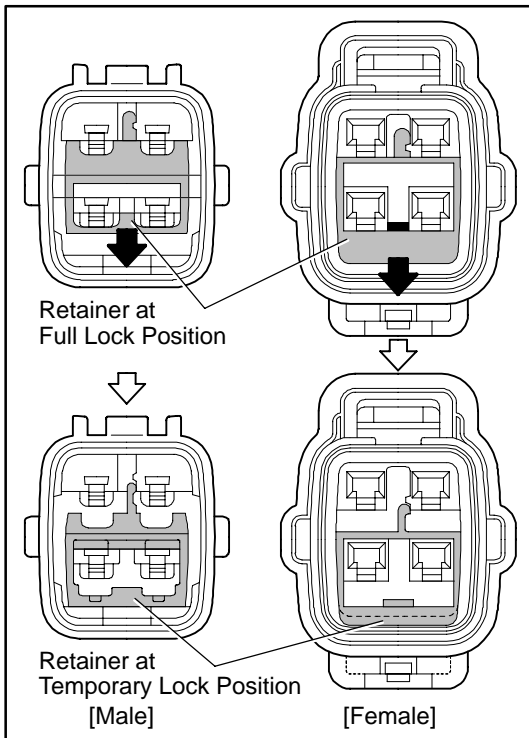
HINT : The needle insertion position varies according to the connector's shape (Number of terminals etc.), so check the position before inserting it.



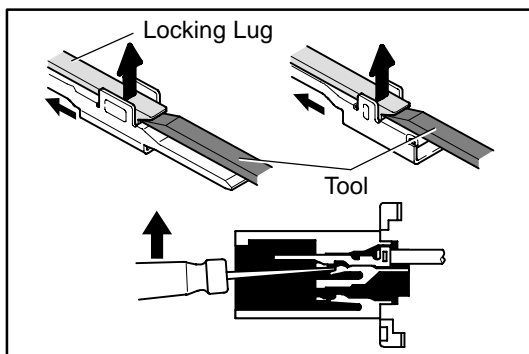
"Case 2"

Type which cannot be pulled as far as Power Lock insert the tool straight into the access hole of terminal retainer as shown.

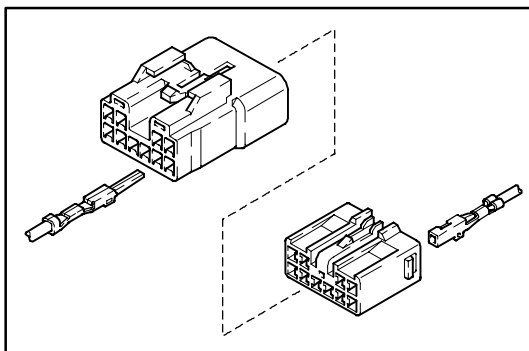
## C TROUBLESHOOTING



Push the terminal retainer down to the temporary lock position.



(c) Release the locking lug from terminal and pull the terminal out from rear.

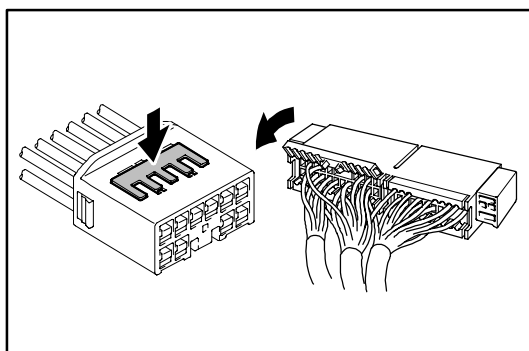


### 4. INSTALL TERMINAL TO CONNECTOR

(a) Insert the terminal.

HINT:

1. Make sure the terminal is positioned correctly.
2. Insert the terminal until the locking lug locks firmly.
3. Insert the terminal with terminal retainer in the temporary lock position.



(b) Push the secondary locking device or terminal retainer in to the full lock position.

### 5. CONNECT CONNECTOR



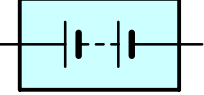

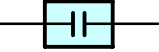
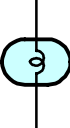

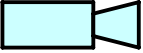

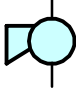

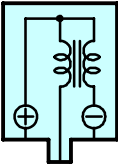




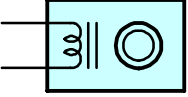

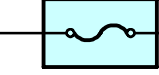

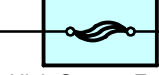
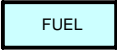

### ABBREVIATIONS

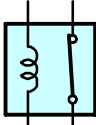
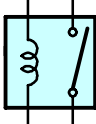

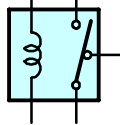
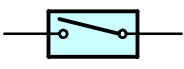
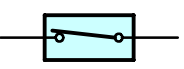
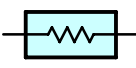
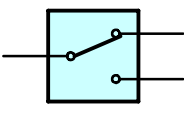
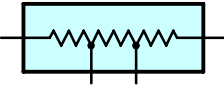
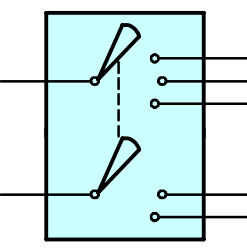

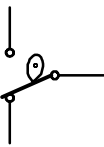
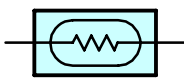
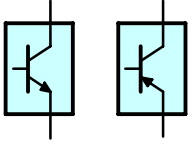
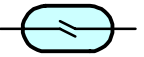
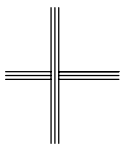
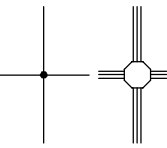

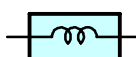
The following abbreviations are used in this manual.

ABS	=	Anti-Lock Brake System
A/C	=	Air Conditioning
COMB.	=	Combination
DC	=	Direct Current
ECU	=	Electronic Control Unit
EMPS	=	Electric Motor Power Steering
ESA	=	Electronic Spark Advance
EVAP	=	Evaporative Emission
HV	=	Hybrid Vehicle
J/B	=	Junction Block
LH	=	Left-Hand
PTC	=	Positive Temperature Coefficient
R/B	=	Relay Block
RH	=	Right-Hand
SFI	=	Sequential Multiport Fuel Injection
SRS	=	Supplemental Restraint System
SW	=	Switch
TEMP.	=	Temperature
VSV	=	Vacuum Switching Valve
w/	=	With
w/o	=	Without

\* The titles given inside the components are the names of the terminals (terminal codes) and are not treated as being abbreviations.

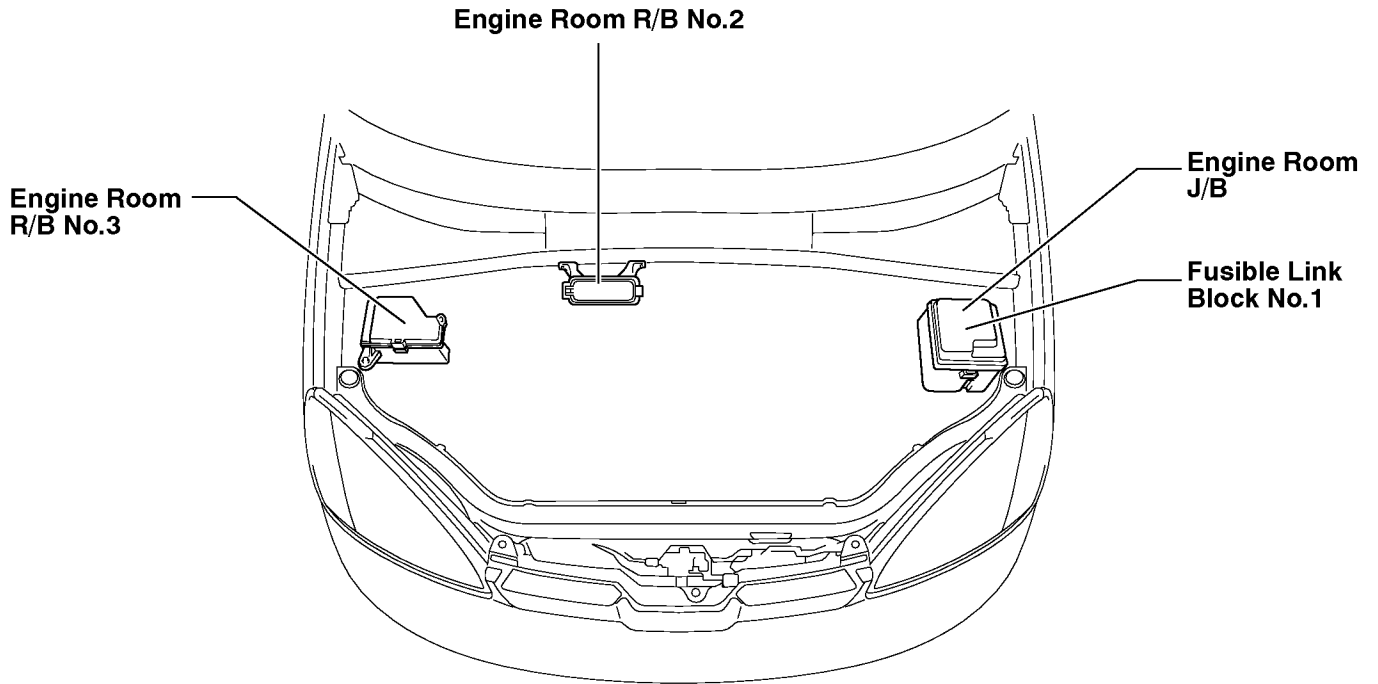
# E GLOSSARY OF TERMS AND SYMBOLS

 <p><b>BATTERY</b> Stores chemical energy and converts it into electrical energy. Provides DC current for the auto's various electrical circuits.</p>	 <p><b>GROUND</b> The point at which wiring attaches to the Body, thereby providing a return path for an electrical circuit; without a ground, current cannot flow.</p>
 <p><b>CAPACITOR (Condenser)</b> A small holding unit for temporary storage of electrical voltage.</p>	<p><b>HEADLIGHTS</b> Current flow causes a headlight filament to heat up and emit light. A headlight may have either a single (1) filament or a double (2) filament</p> <p>1. <b>SINGLE FILAMENT</b></p>  <p>2. <b>DOUBLE FILAMENT</b></p> 
 <p><b>CIGARETTE LIGHTER</b> An electric resistance heating element.</p>	
 <p><b>CIRCUIT BREAKER</b> Basically a reusable fuse, a circuit breaker will heat and open if too much current flows through it. Some units automatically reset when cool, others must be manually reset.</p>	 <p><b>HORN</b> An electric device which sounds a loud audible signal.</p>
 <p><b>DIODE</b> A semiconductor which allows current flow in only one direction.</p>	 <p><b>IGNITION COIL</b> Converts low-voltage DC current into high-voltage ignition current for firing the spark plugs.</p>
 <p><b>DIODE, ZENER</b> A diode which allows current flow in one direction but blocks reverse flow only up to a specific voltage. Above that potential, it passes the excess voltage. This acts as a simple voltage regulator.</p>	 <p><b>LIGHT</b> Current flow through a filament causes the filament to heat up and emit light.</p>
 <p><b>PHOTODIODE</b> The photodiode is a semiconductor which controls the current flow according to the amount of light.</p>	 <p><b>LED (LIGHT EMITTING DIODE)</b> Upon current flow, these diodes emit light without producing the heat of a comparable light.</p>
 <p><b>DISTRIBUTOR, IIA</b> Channels high-voltage current from the ignition coil to the individual spark plugs.</p>	 <p><b>METER, ANALOG</b> Current flow activates a magnetic coil which causes a needle to move, thereby providing a relative display against a background calibration.</p>
 <p><b>FUSE</b> A thin metal strip which burns through when too much current flows through it, thereby stopping current flow and protecting a circuit from damage.</p>  <p><b>FUSIBLE LINK</b> A heavy-gauge wire placed in high amperage circuits which burns through on overloads, thereby protecting the circuit. The numbers indicate the cross-section surface area of the wires.</p> <p>(for Medium Current Fuse)</p>  <p>(for High Current Fuse or Fusible Link)</p>	 <p><b>METER, DIGITAL</b> Current flow activates one or many LED's, LCD's, or fluorescent displays, which provide a relative or digital display.</p>
	 <p><b>MOTOR</b> A power unit which converts electrical energy into mechanical energy, especially rotary motion.</p>

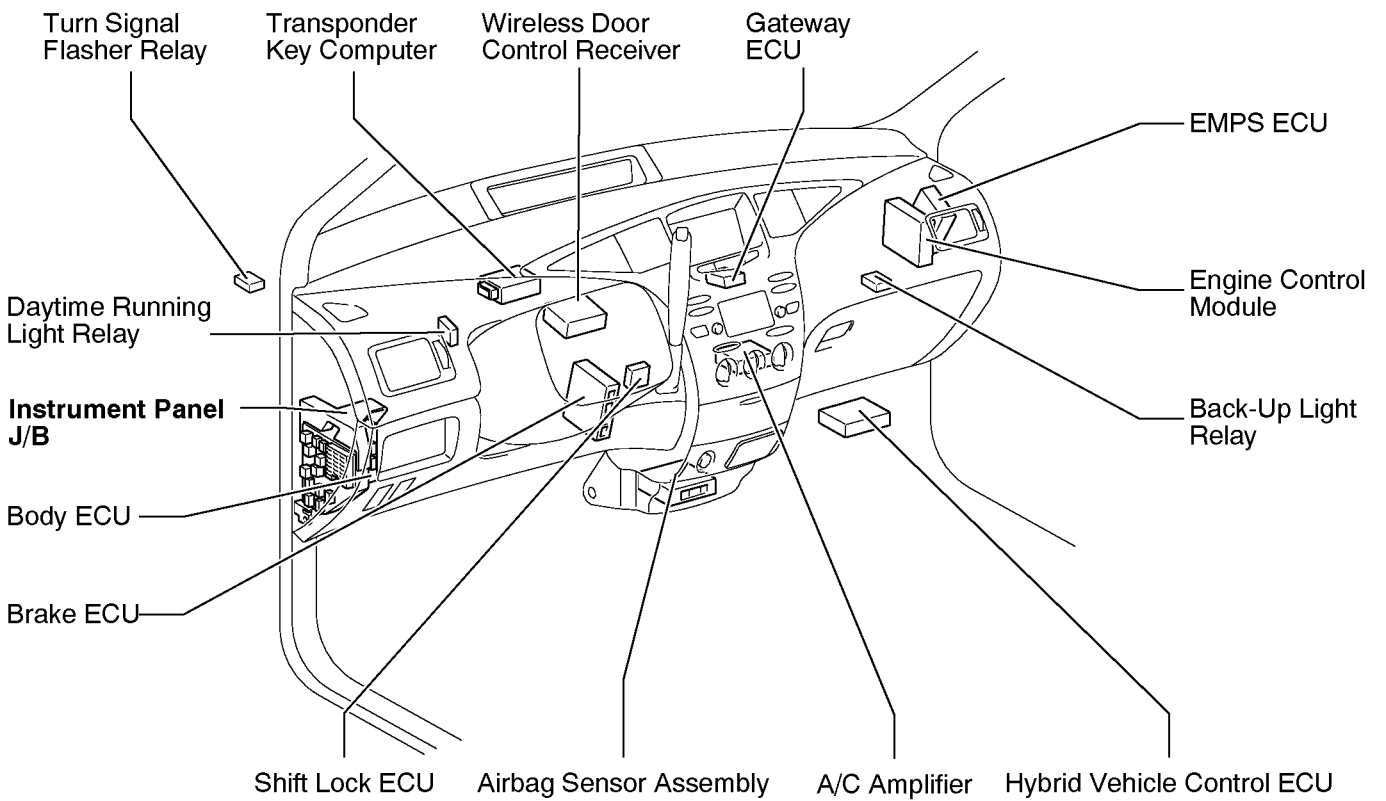
 <p><b>RELAY</b> Basically, an electrically operated switch which may be normally closed (1) or open (2). Current flow through a small coil creates a magnetic field which either opens or closes an attached switch.</p> <p><b>1. NORMALLY CLOSED</b></p>  <p><b>2. NORMALLY OPEN</b></p>	 <p><b>SPEAKER</b> An electromechanical device which creates sound waves from current flow.</p>
 <p><b>RELAY, DOUBLE THROW</b> A relay which passes current through one set of contacts or the other.</p>	<p><b>SWITCH, MANUAL</b> Opens and closes circuits, thereby stopping (1) or allowing (2) current flow.</p>  <p><b>1. NORMALLY OPEN</b></p>  <p><b>2. NORMALLY CLOSED</b></p>
 <p><b>RESISTOR</b> An electrical component with a fixed resistance, placed in a circuit to reduce voltage to a specific value.</p>	<p><b>SWITCH, DOUBLE THROW</b> A switch which continuously passes current through one set of contacts or the other.</p> 
 <p><b>RESISTOR, TAPPED</b> A resistor which supplies two or more different non adjustable resistance values.</p>	<p><b>SWITCH, IGNITION</b> A key operated switch with several positions which allows various circuits, particularly the primary ignition circuit, to become operational.</p> 
 <p><b>RESISTOR, VARIABLE or RHEOSTAT</b> A controllable resistor with a variable rate of resistance. Also called a potentiometer or rheostat.</p>	<p><b>SWITCH, WIPER PARK</b> Automatically returns wipers to the stop position when the wiper switch is turned off.</p> 
 <p><b>SENSOR (Thermistor)</b> A resistor which varies its resistance with temperature.</p>	<p><b>TRANSISTOR</b> A solidstate device typically used as an electronic relay; stops or passes current depending on the voltage applied at "base".</p> 
 <p><b>SENSOR, SPEED</b> Uses magnetic impulses to open and close a switch to create a signal for activation of other components. (Reed Switch Type)</p>	<p><b>WIRES</b></p> <p><b>(1) NOT CONNECTED</b> Wires are always drawn as straight lines on wiring diagrams. Crossed wires (1) without a black dot at the junction are not joined;</p>  <p><b>(2) SPLICED</b> crossed wires (2) with a black dot or octagonal mark at the junction are spliced (joined) connections.</p> 
 <p><b>SHORT PIN</b> Used to provide an unbroken connection within a junction block.</p>	
 <p><b>SOLENOID</b> An electromagnetic coil which forms a magnetic field when current flows, to move a plunger, etc.</p>	

# F RELAY LOCATIONS

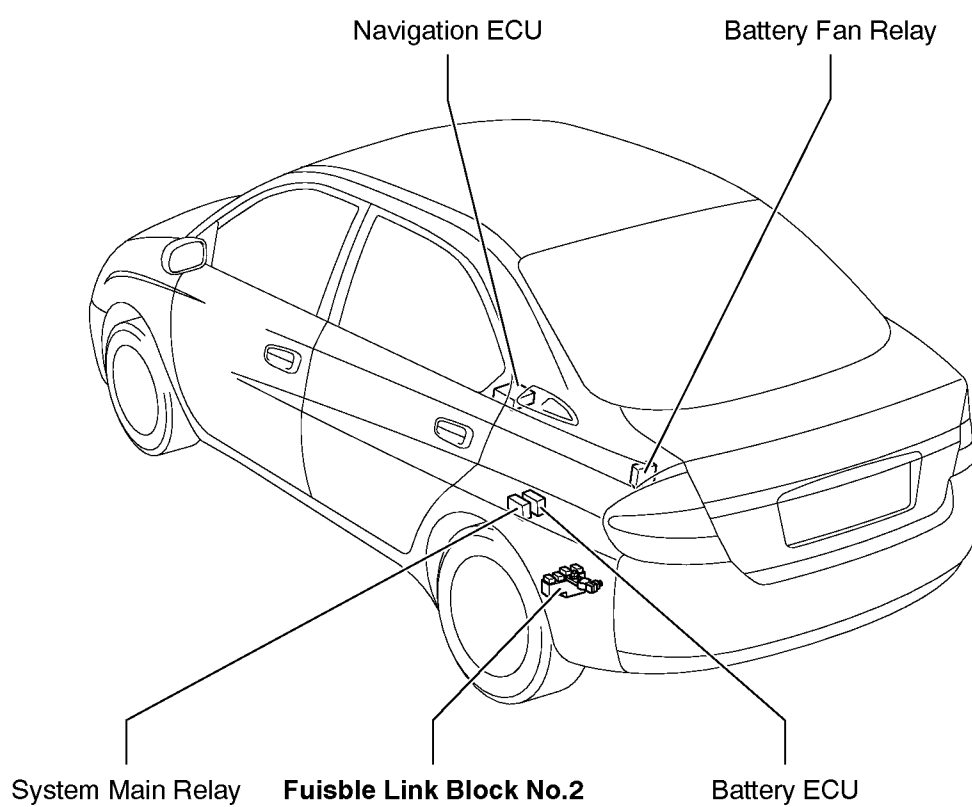
## [Engine Compartment]



## [Instrument Panel]



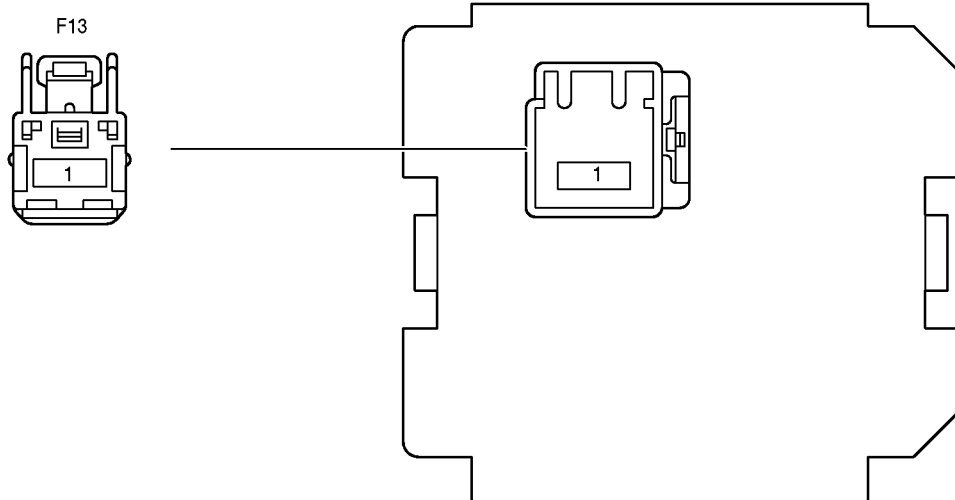
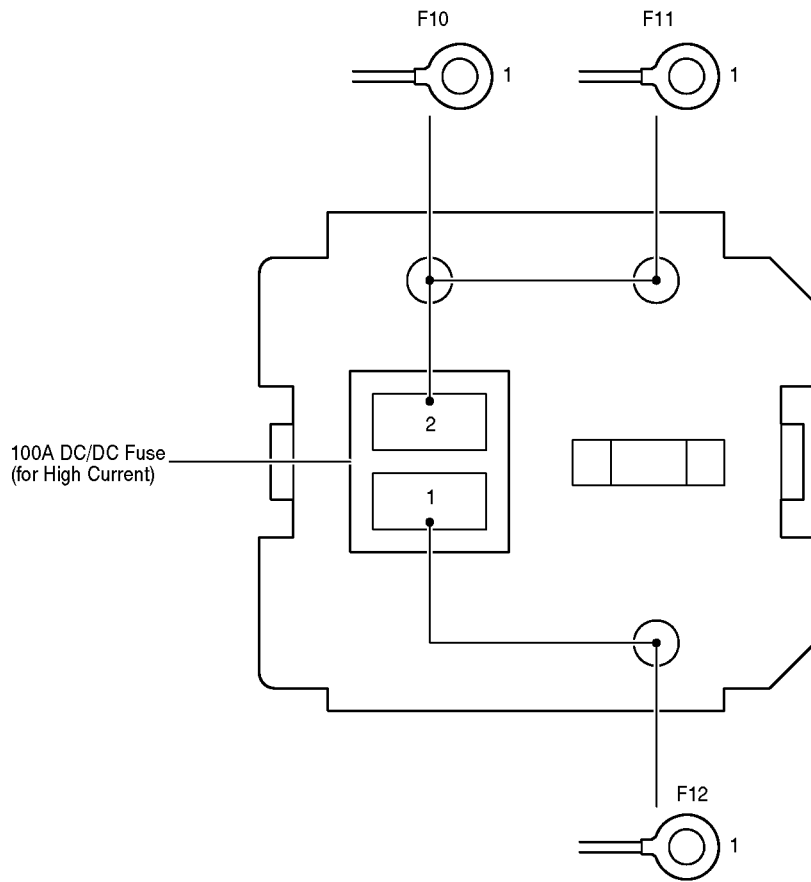
## [Body]



# F RELAY LOCATIONS

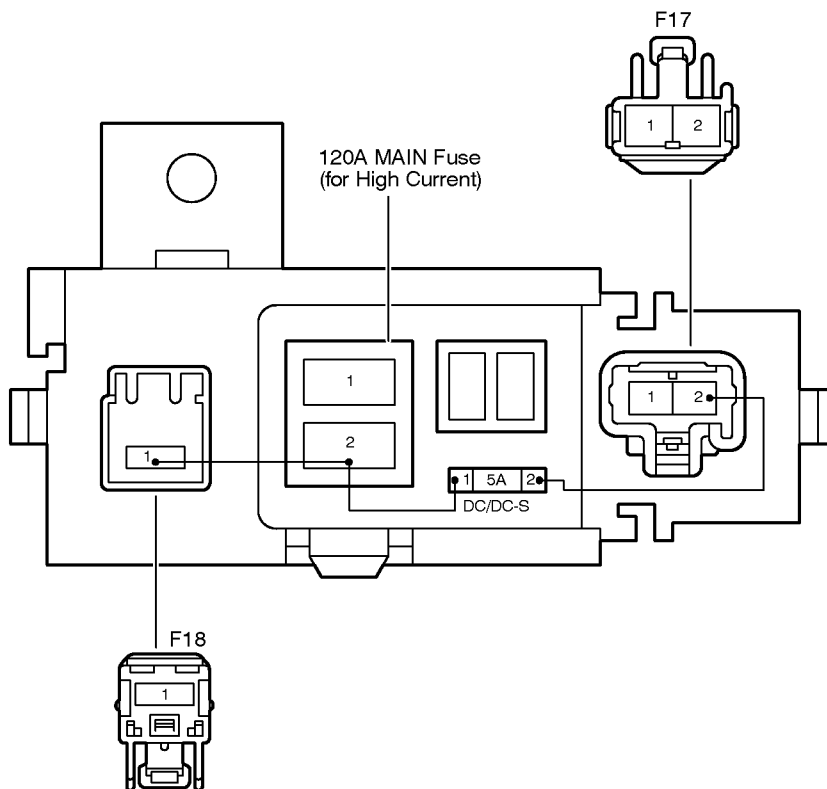
Fusible Link Block No.1

Engine Compartment Left (See Page 20)



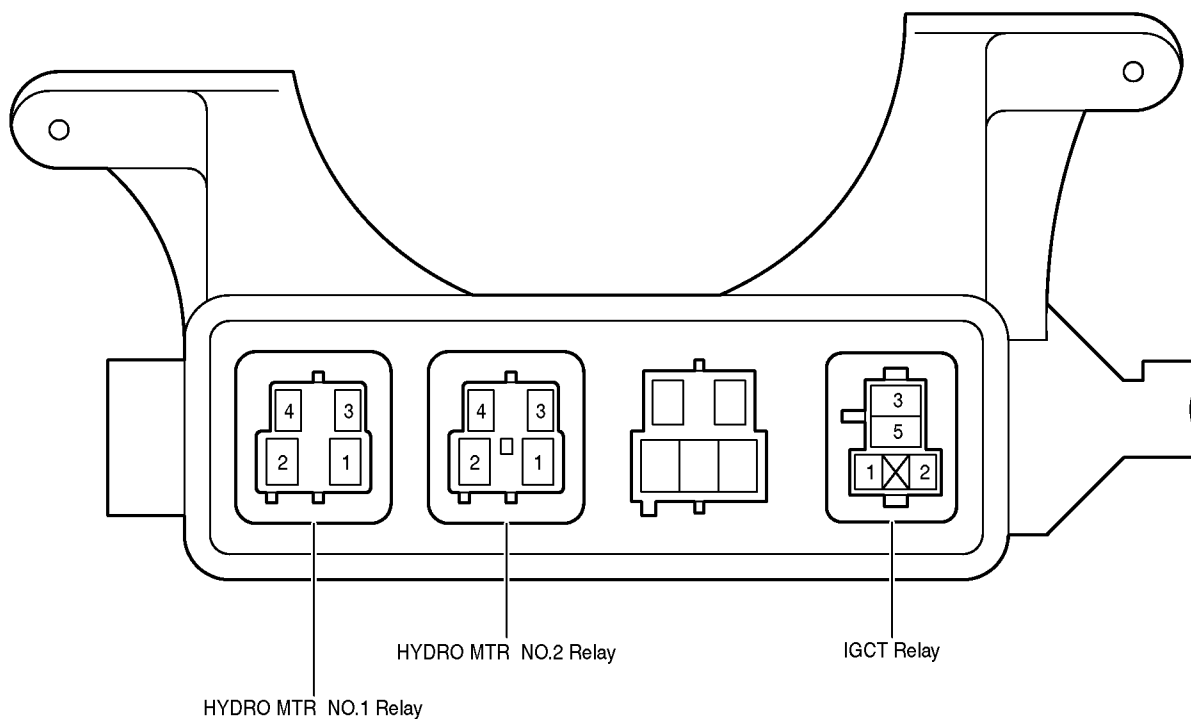
**Fusible Link Block No.2**

**Luggage Room Left (See Page 21)**



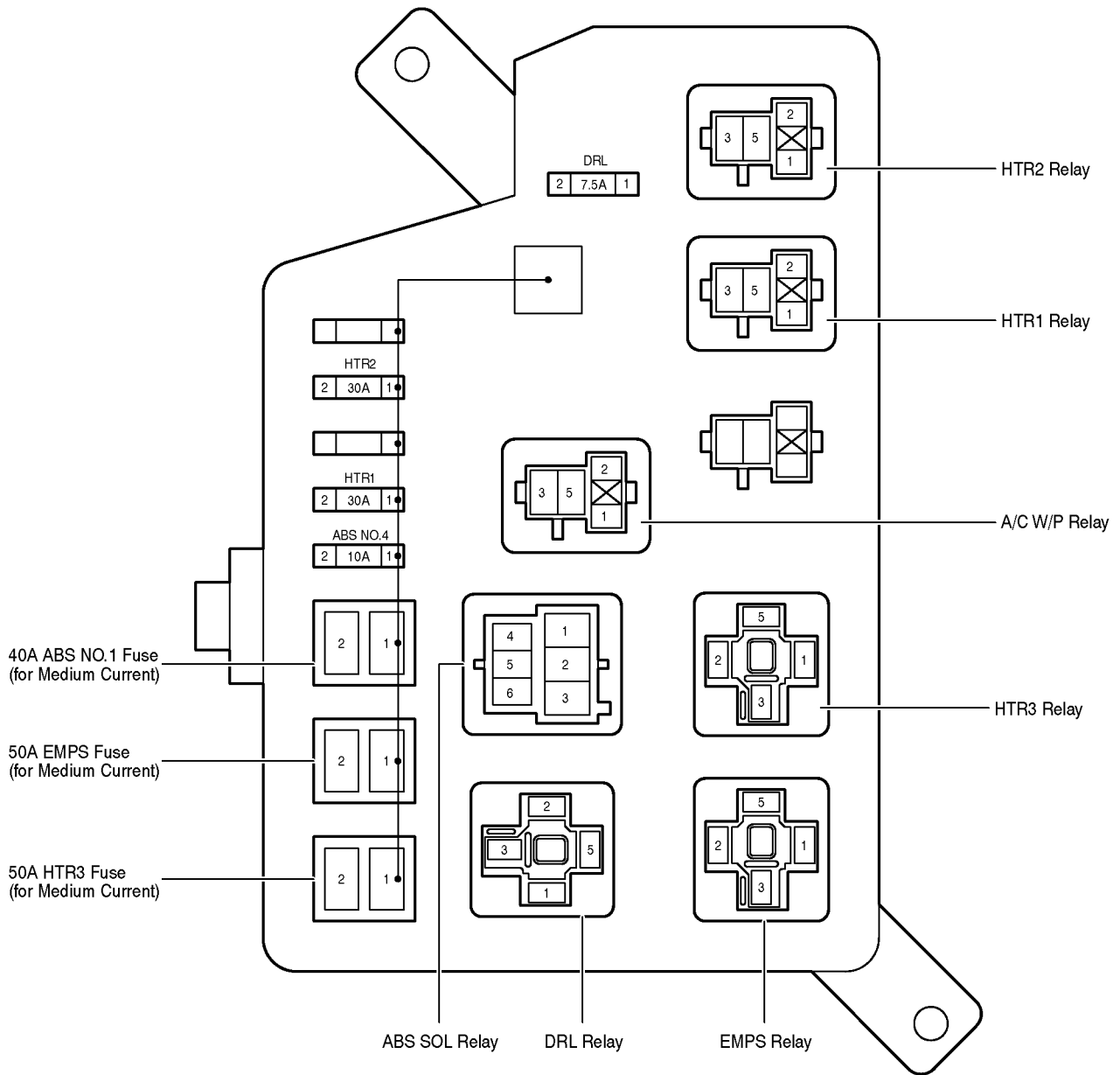
**② : Engine Room R/B No.2**

**Right Side of Reserve Tank (See Page 20)**



# F RELAY LOCATIONS

③ : Engine Room R/B No.3 **Engine Compartment Right (See Page 20)**



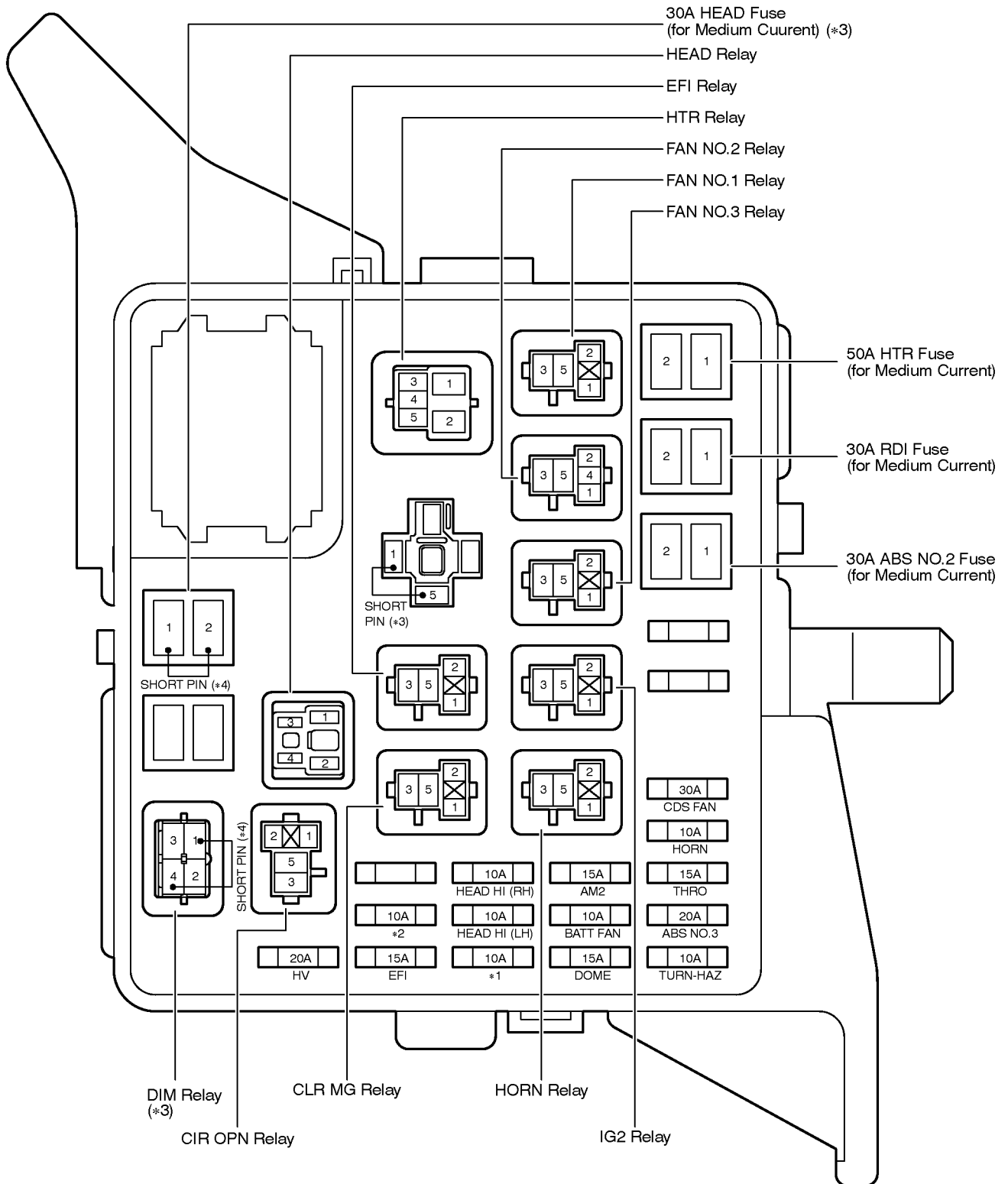


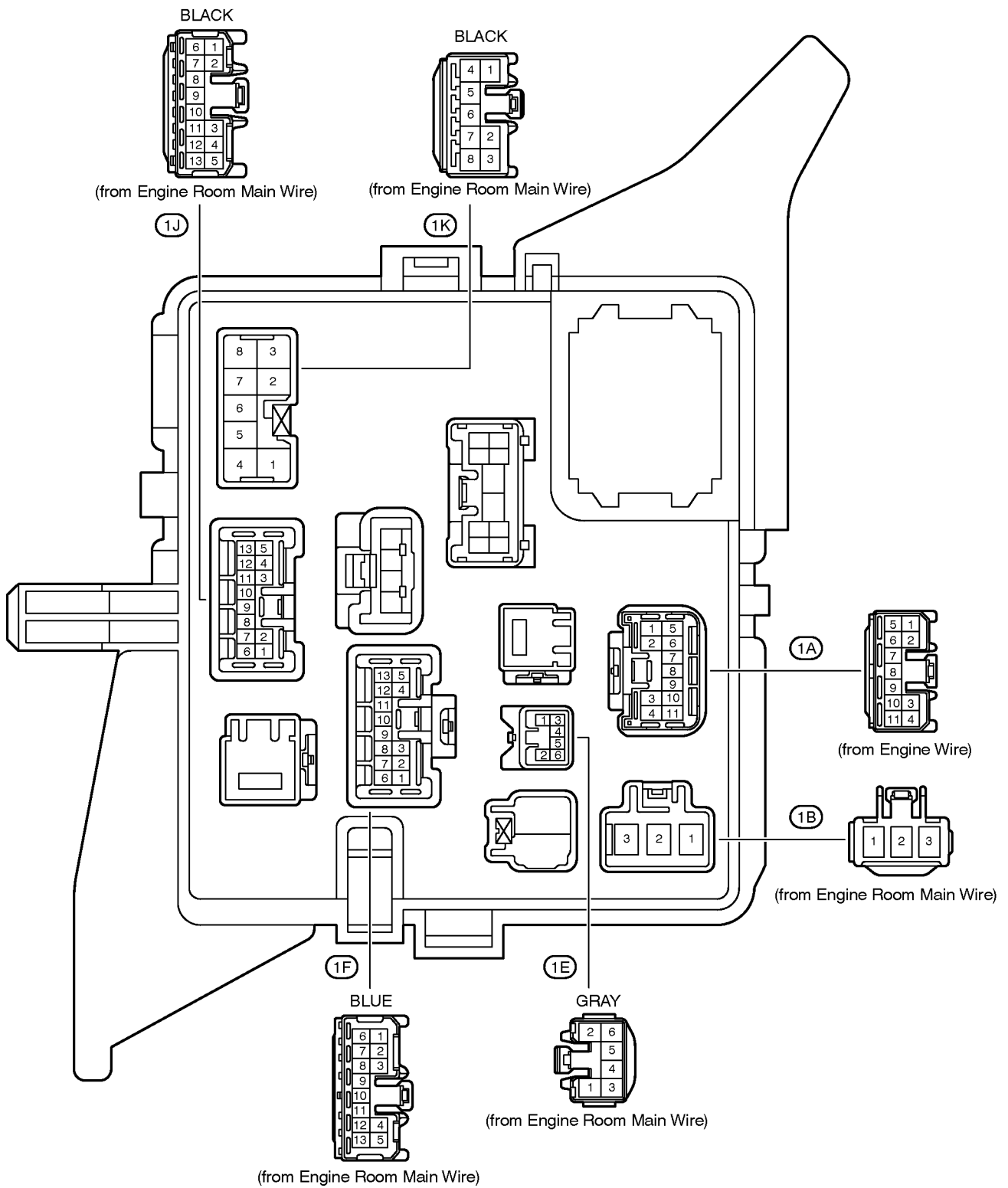


# F RELAY LOCATIONS

**○ : Engine Room J/B**      **Engine Compartment Left (See Page 20)**

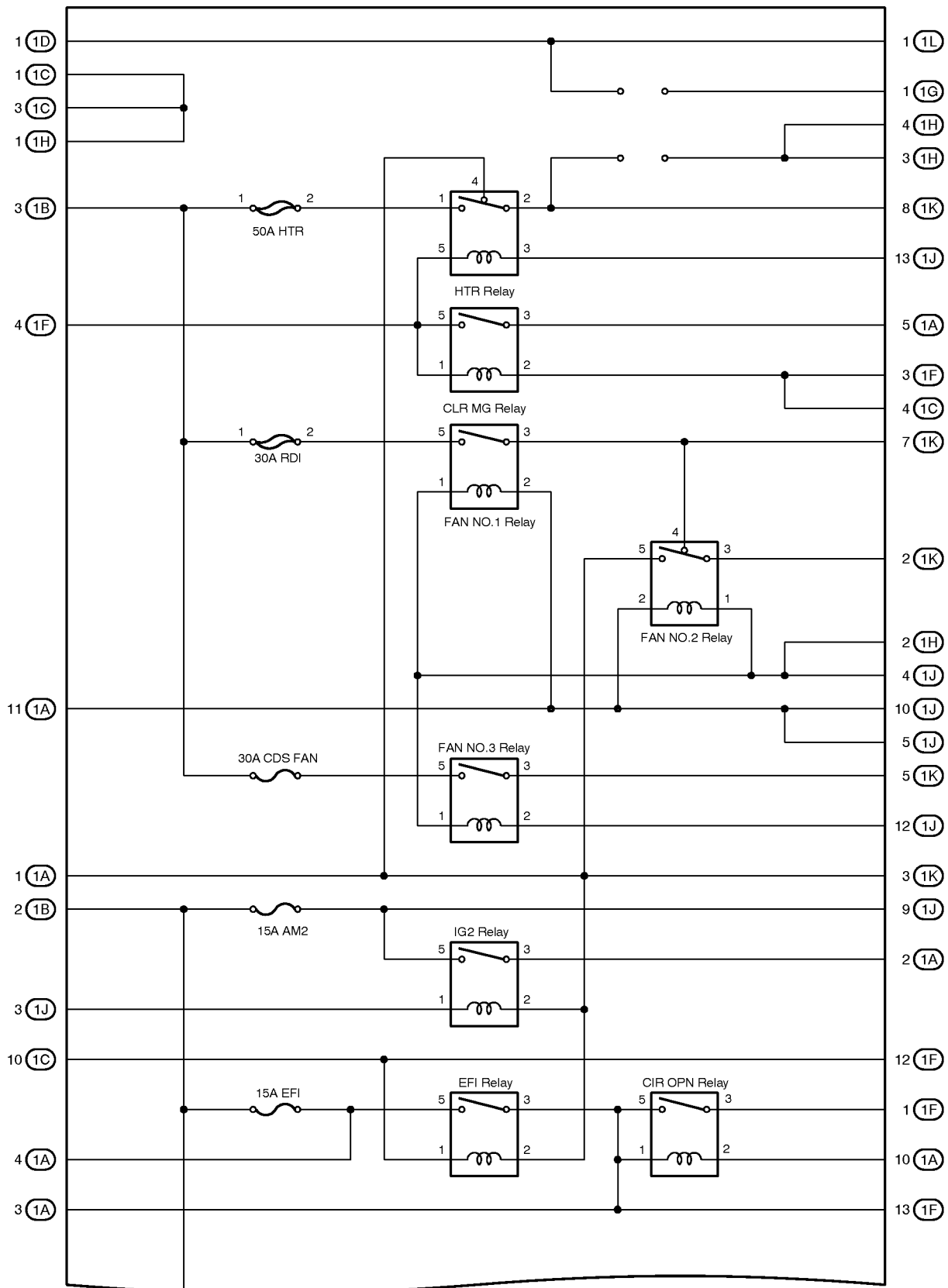
- \*1 : HEAD LO (LH) (w/ Daytime Running Light)  
HEAD (LH) (w/o Daytime Running Light)
- \*2 : HEAD LO (RH) (w/ Daytime Running Light)  
HEAD (RH) (w/o Daytime Running Light)
- \*3 : w/ Daytime Running Light
- \*4 : w/o Daytime Running Light





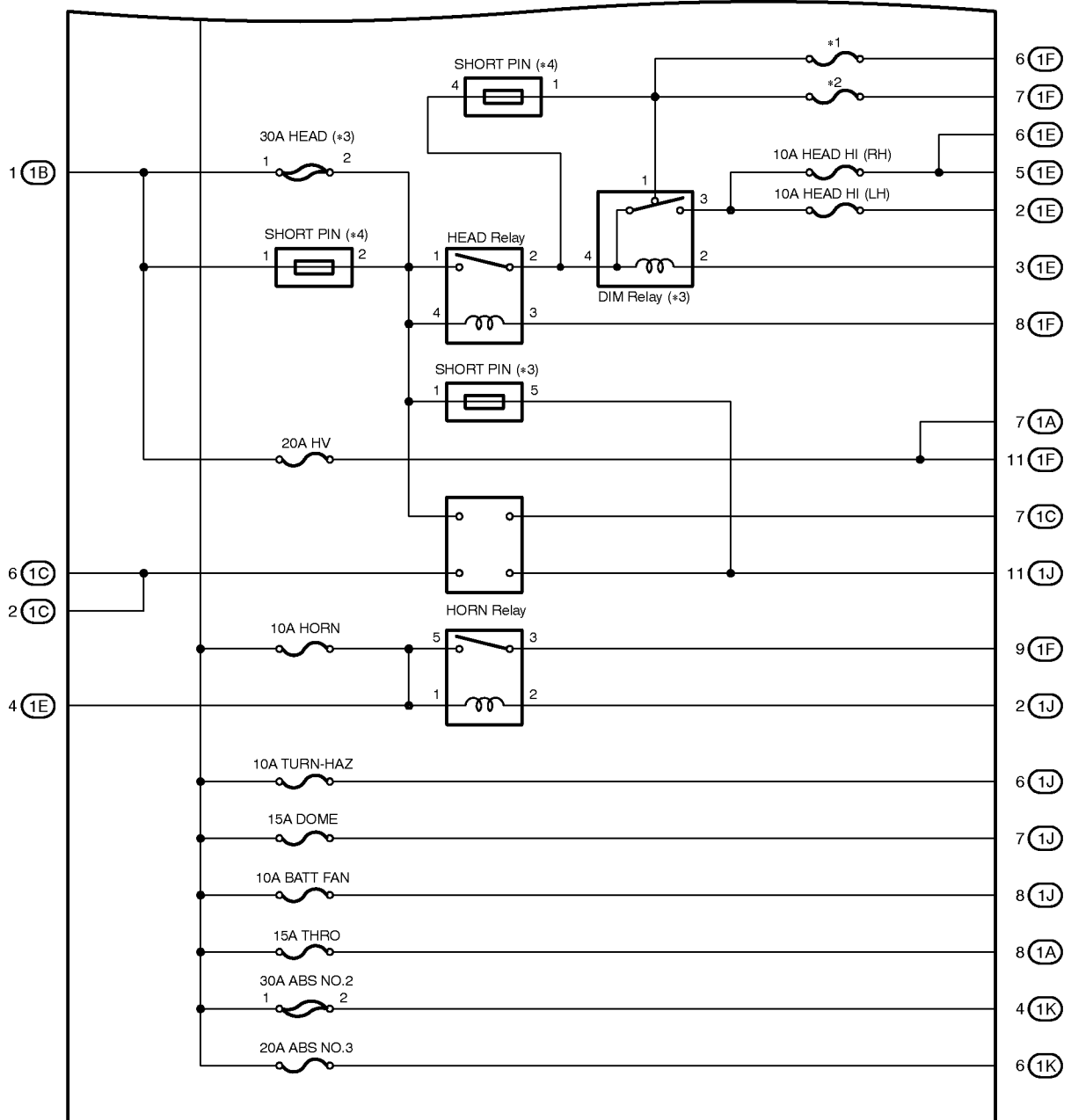
# F RELAY LOCATIONS

## [Engine Room J/B Inner Circuit]



(Cont. next page)

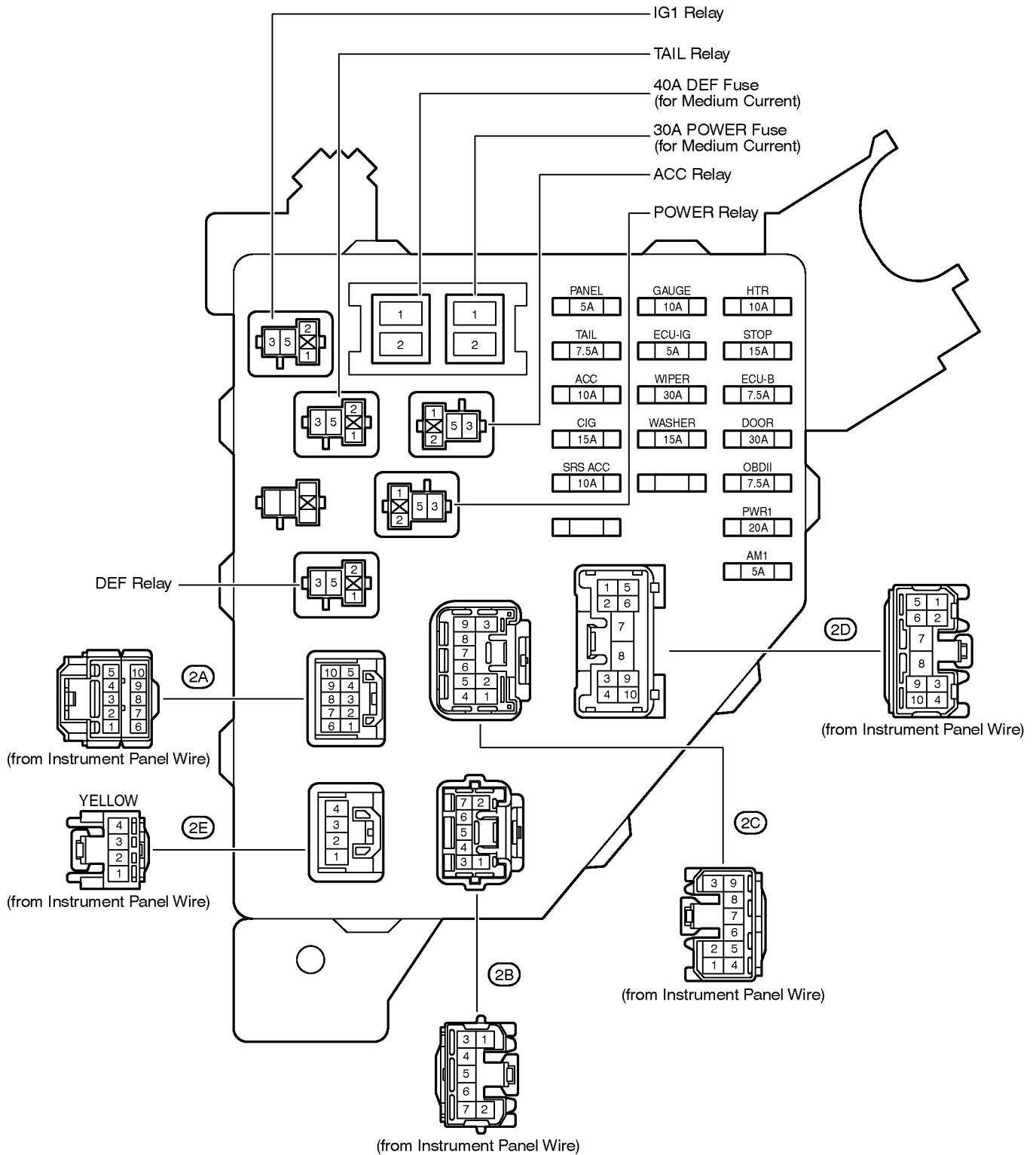
(Cont'd)

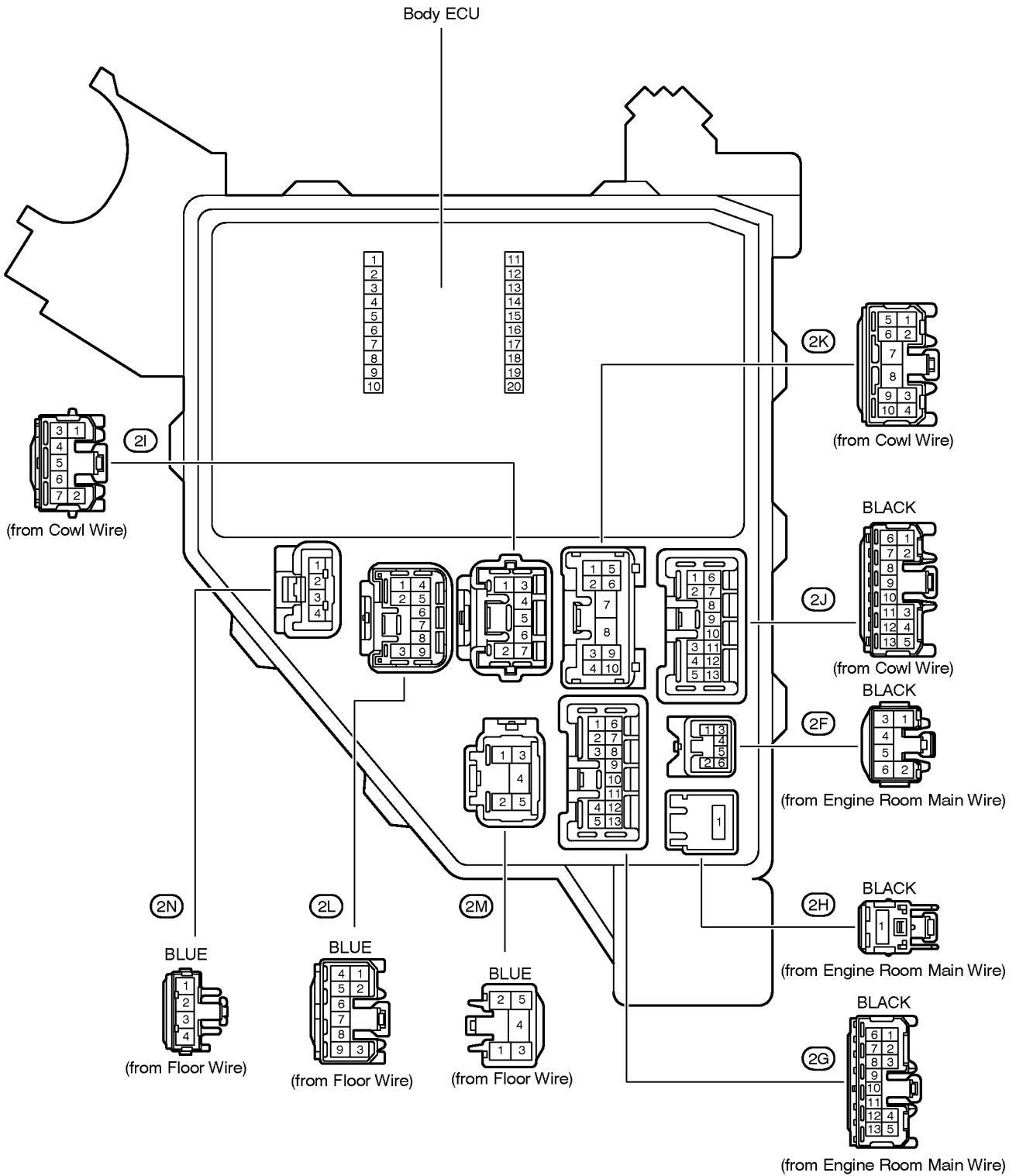


- \*1 : 10A HEAD LO (LH) (w/ Daytime Running Light)  
10A HEAD (LH) (w/o Daytime Running Light)
- \*2 : 10A HEAD LO (RH) (w/ Daytime Running Light)  
10A HEAD (RH) (w/o Daytime Running Light)
- \*3 : w/ Daytime Running Light
- \*4 : w/o Daytime Running Light

# F RELAY LOCATIONS

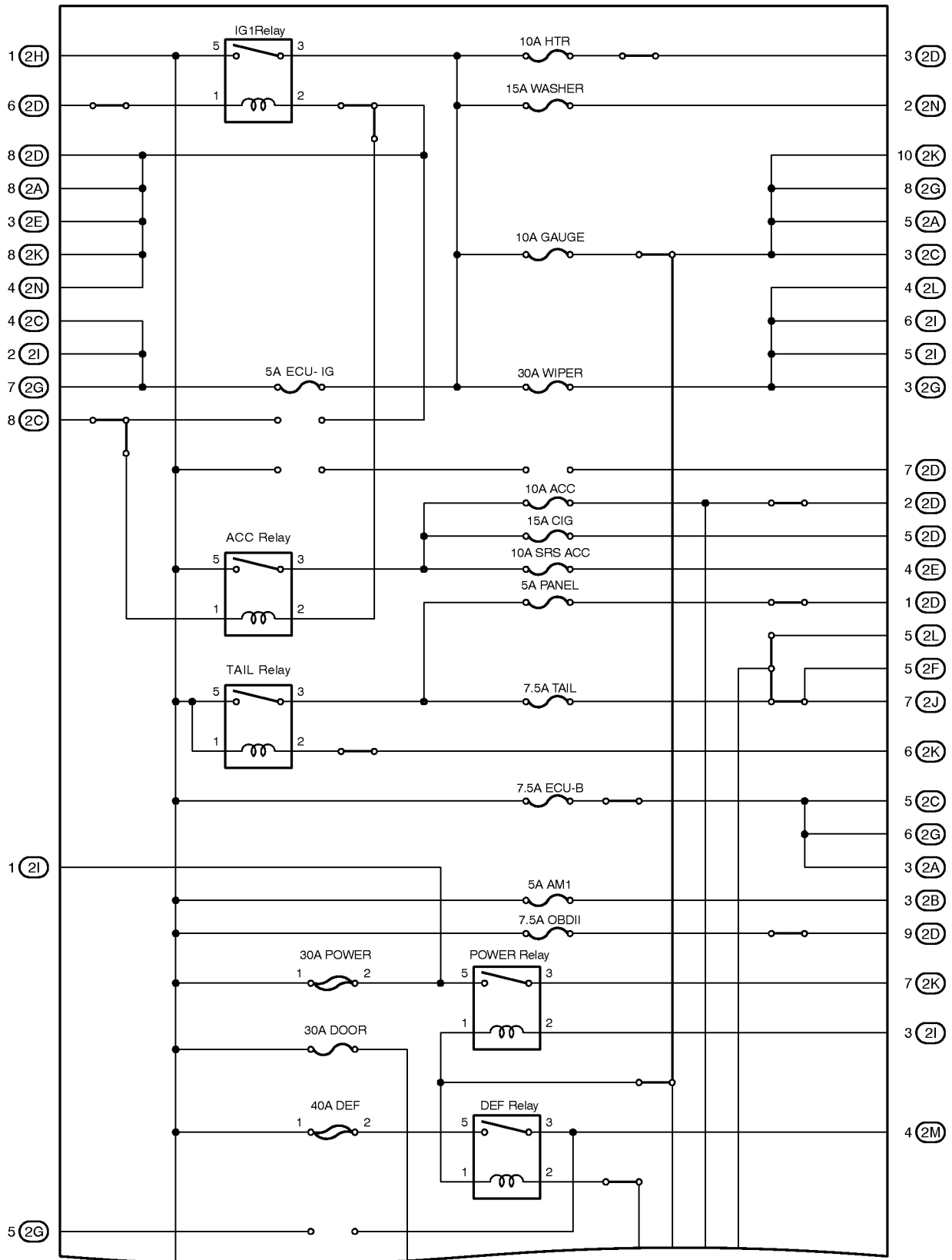
○ : Instrument Panel J/B      Cowl Side Panel LH (See Page 20)





# F RELAY LOCATIONS

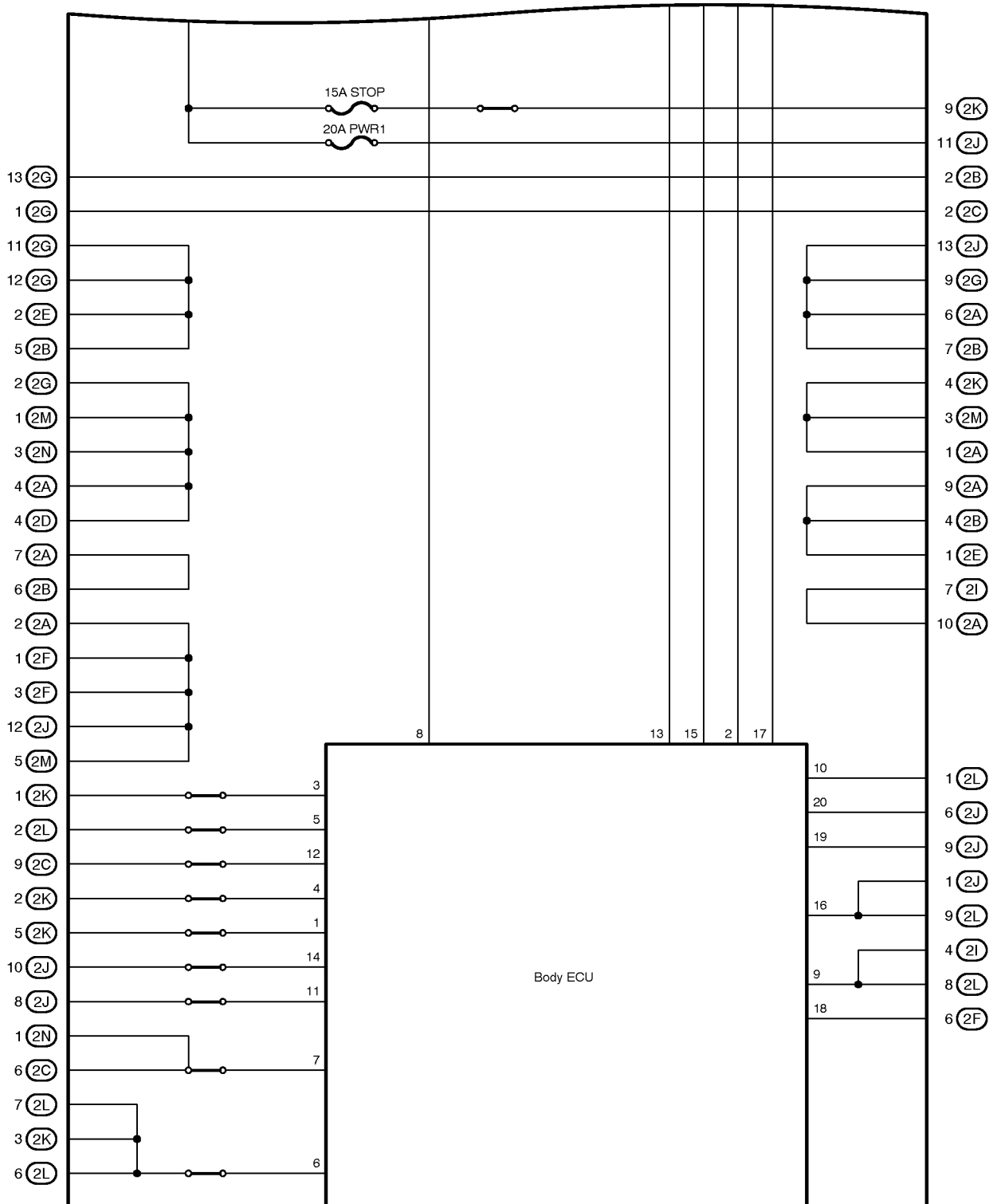
## [Instrument Panel J/B Inner Circuit]



(Cont. next page)

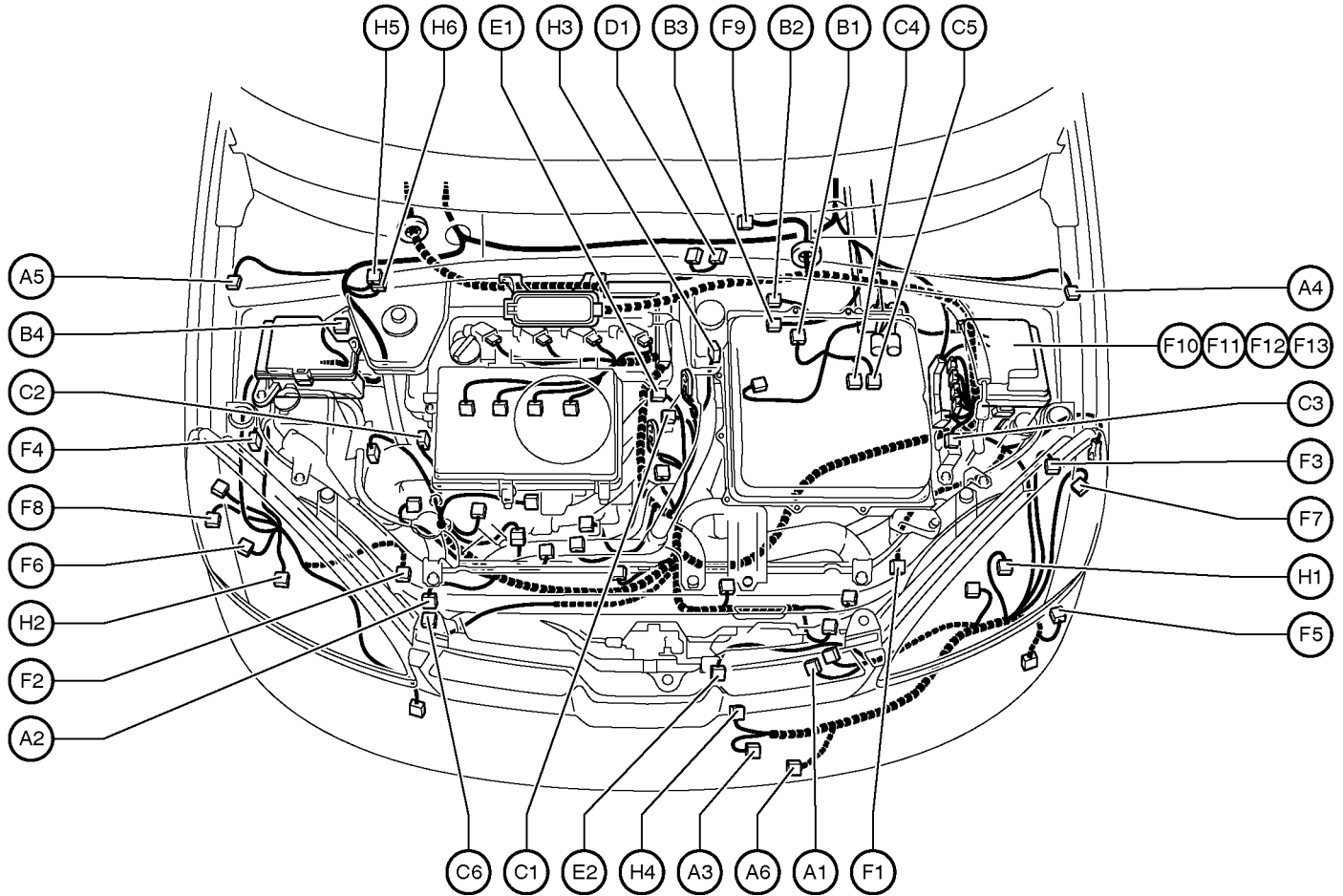


(Cont'd)



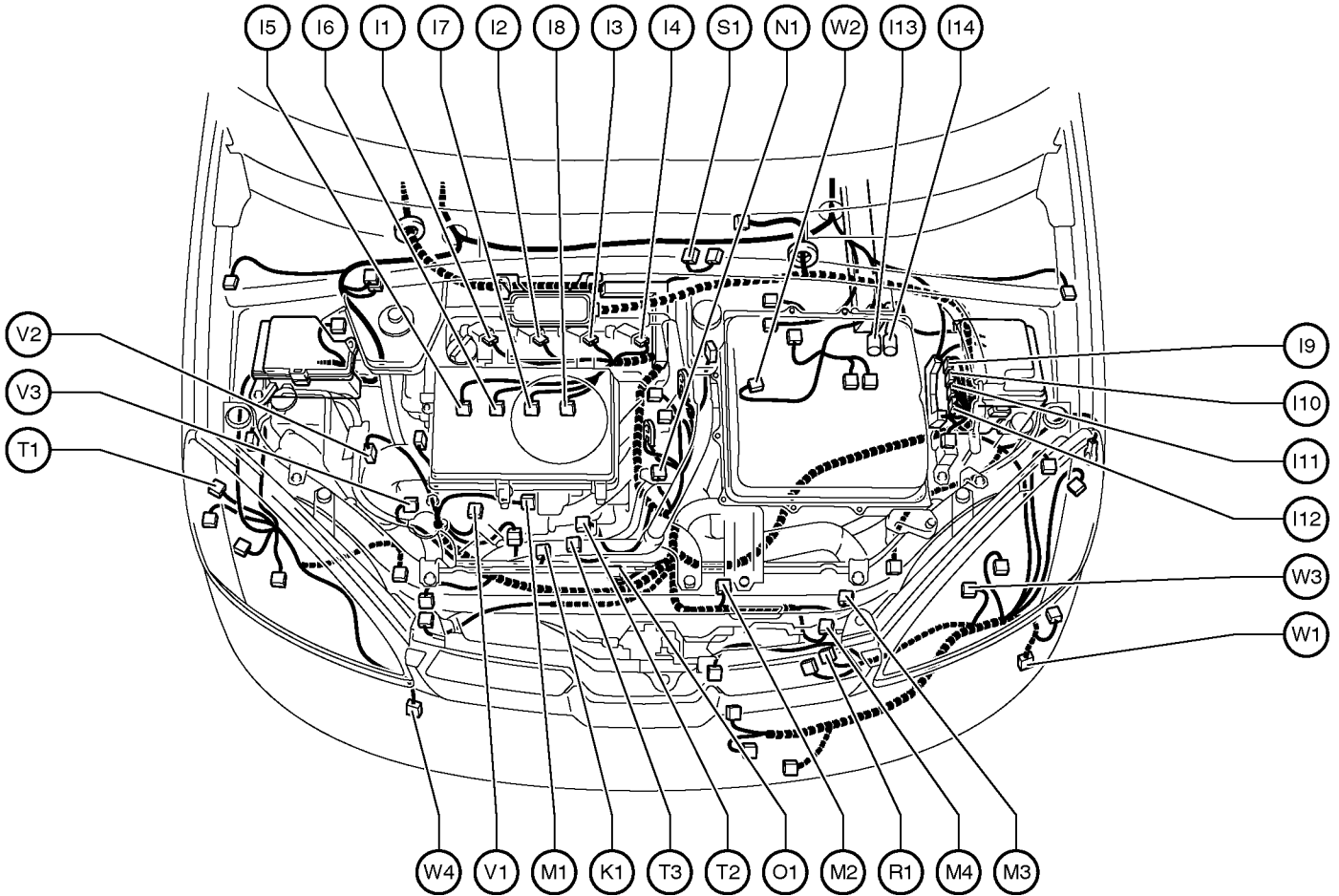
# G ELECTRICAL WIRING ROUTING

## Position of Parts in Engine Compartment



- |   |   |
|---|---|
| A 1 A/C Condenser Fan Motor                                     | F 1 Front Airbag Sensor LH                |
| A 2 A/C Magnetic Clutch and Lock Sensor                         | F 2 Front Airbag Sensor RH                |
| A 3 A/C Triple Pressure SW<br>(A/C Dual and Single Pressure SW) | F 3 Front Parking Light LH                |
| A 4 ABS Speed Sensor Front LH                                   | F 4 Front Parking Light RH                |
| A 5 ABS Speed Sensor Front RH                                   | F 5 Front Side Marker Light LH            |
| A 6 Ambient Temp. Sensor  | F 6 Front Side Marker Light RH            |
| B 1 Brake Actuator  | F 7 Front Turn Signal Light LH            |
| B 2 Brake Actuator  | F 8 Front Turn Signal Light RH            |
| B 3 Brake Actuator  | F 9 Front Wiper Motor                     |
| B 4 Brake Fluid Level Warning SW                                | F 10 Fusible Link Block No.1              |
| C 1 Camshaft Position Sensor                                    | F 11 Fusible Link Block No.1              |
| C 2 Camshaft Timing Oil Control Valve                           | F 12 Fusible Link Block No.1              |
| C 3 Circuit Breaker Sensor                                      | F 13 Fusible Link Block No.1              |
| C 4 Converter   | H 1 Headlight LH                          |
| C 5 Converter   | H 2 Headlight RH                          |
| C 6 Crankshaft Position Sensor                                  | H 3 Heated Oxygen Sensor (Bank 1 Sensor1) |
| D 1 DC Motor  | H 4 Horn                                  |
| E 1 Engine Coolant Temp. Sensor                                 | H 5 Hydraulic Booster                     |
| E 2 Engine Hood Courtesy SW                                     | H 6 Hydraulic Booster                     |

## Position of Parts in Engine Compartment



- I 1 Ignition Coil and Igniter No.1
- I 2 Ignition Coil and Igniter No.2
- I 3 Ignition Coil and Igniter No.3
- I 4 Ignition Coil and Igniter No.4
- I 5 Injector No.1
- I 6 Injector No.2
- I 7 Injector No.3
- I 8 Injector No.4
- I 9 Inverter
- I 10 Inverter
- I 11 Inverter
- I 12 Inverter
- I 13 Inverter
- I 14 Inverter

K 1 Knock Sensor

- M 1 Mass Air Flow Meter
- M 2 Motor Generator No.1
- M 3 Motor Generator No.2
- M 4 Motor Generator No.2

N 1 Noise Filter (Ignition)

O 1 Oil Pressure SW

R 1 Radiator Fan Motor

S 1 Steering Shaft Torque Sensor

T 1 Theft Deterrent Horn

T 2 Throttle Control Motor

T 3 Throttle Position Sensor

V 1 Vacuum Sensor (HC Adsorber and Catalyst System)

V 2 VSV (EVAP)

V 3 VSV (HC Adsorber and Catalyst System)

W 1 Washer Motor

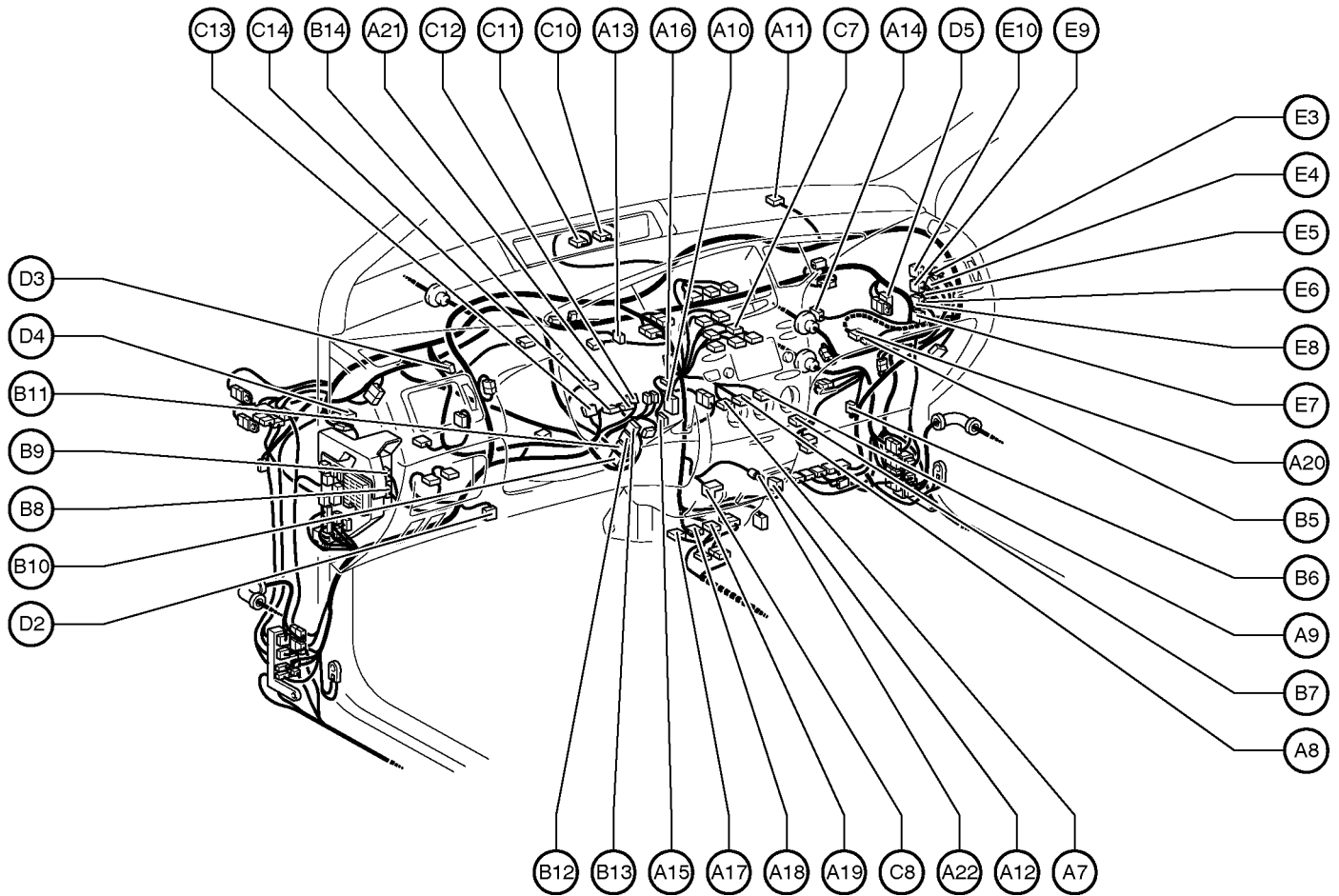
W 2 Water Pump Motor (A/C)

W 3 Water Pump Motor (Inverter)

W 4 Water Temp. SW

# G ELECTRICAL WIRING ROUTING

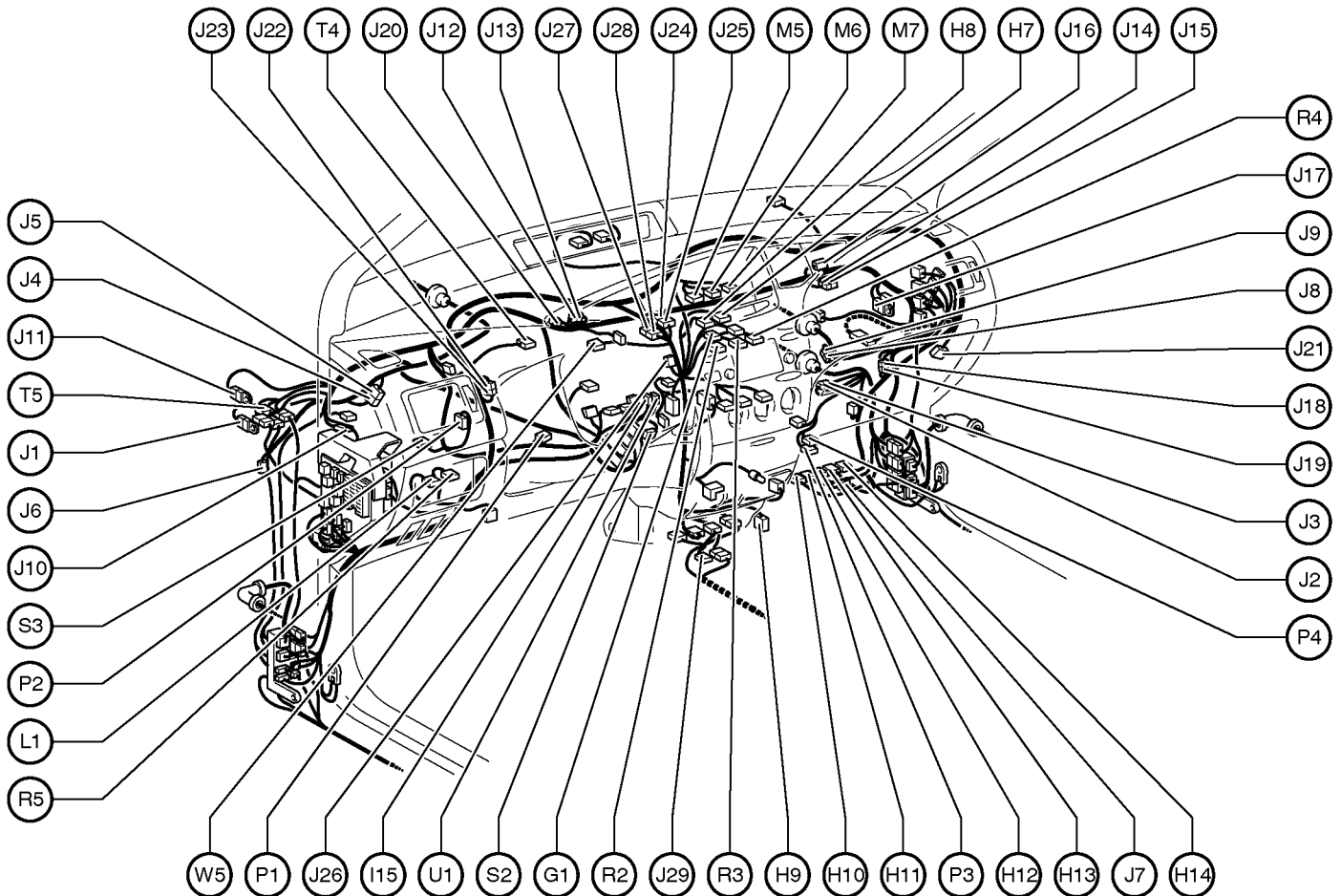
## Position of Parts in Instrument Panel



- A 7 A/C Amplifier
- A 8 A/C Amplifier
- A 9 A/C Amplifier
- A10 A/C Room Temp. Sensor
- A11 A/C Solar Sensor
- A12 A/C Thermistor
- A13 Accel Position Sensor
- A14 Air Inlet Control Servo Motor
- A15 Air Mix Control Servo Motor
- A16 Air Vent Mode Control Servo Motor
- A17 Airbag Sensor Assembly
- A18 Airbag Sensor Assembly
- A19 Airbag Sensor Assembly
- A20 Airbag Squib (Front Passenger Airbag Assembly)
- A21 Airbag Squib (Steering Wheel Pad)
- A22 Ashtray Illumination
  
- B 5 Back-Up Light Relay
- B 6 Blower Motor
- B 7 Blower Motor Linear Controller
- B 8 Body ECU
- B 9 Body ECU
- B10 Brake ECU
- B11 Brake ECU
- B12 Brake ECU
- B13 Brake ECU
- B14 Brake Warning Buzzer

- C 7 Center Cluster SW
- C 8 Cigarette Lighter
- C10 Combination Meter
- C11 Combination Meter
- C12 Combination SW
- C13 Combination SW
- C14 Combination SW
  
- D 2 Data Link Connector 3
- D 3 Daytime Running Light Relay
- D 4 Diode (Door Courtesy)
- D 5 Diode (Daytime Running Light)
  
- E 3 EMPS ECU
- E 4 EMPS ECU
- E 5 EMPS ECU
- E 6 EMPS ECU
- E 7 Engine Control Module
- E 8 Engine Control Module
- E 9 Engine Control Module
- E10 Engine Control Module

## Position of Parts in Instrument Panel



G 1 Gateway ECU

H 7 Hazard Warning SW  
 H 8 Hazard Warning SW  
 H 9 Heated Oxygen Sensor (Bank 1 Sensor 2)  
 H10 Hybrid Vehicle Control ECU  
 H11 Hybrid Vehicle Control ECU  
 H12 Hybrid Vehicle Control ECU  
 H13 Hybrid Vehicle Control ECU  
 H14 Hybrid Vehicle Control ECU

I 15 Ignition SW

J 1 Junction Connector  
 J 2 Junction Connector  
 J 3 Junction Connector  
 J 4 Junction Connector  
 J 5 Junction Connector  
 J 6 Junction Connector  
 J 7 Junction Connector  
 J 8 Junction Connector  
 J 9 Junction Connector  
 J10 Junction Connector  
 J11 Junction Connector  
 J12 Junction Connector  
 J13 Junction Connector  
 J14 Junction Connector  
 J15 Junction Connector  
 J16 Junction Connector  
 J17 Junction Connector  
 J18 Junction Connector  
 J19 Junction Connector  
 J20 Junction Connector  
 J21 Junction Connector

J 22 Junction Connector  
 J 23 Junction Connector  
 J 24 Junction Connector  
 J 25 Junction Connector  
 J 26 Junction Connector  
 J 27 Junction Connector  
 J 28 Junction Connector  
 J 29 Junction Connector

L 1 Light Control Rheostat

M 5 Multi Display  
 M 6 Multi Display  
 M 7 Multi Display

P 1 Park/Neutral Position SW  
 P 2 Parking Brake SW  
 P 3 PTC Heater  
 P 4 PTC Heater

R 2 Radio and Player  
 R 3 Radio and Player  
 R 4 Radio and Player  
 R 5 Remote Control Mirror SW

S 2 Shift Lock ECU  
 S 3 Stop Light SW

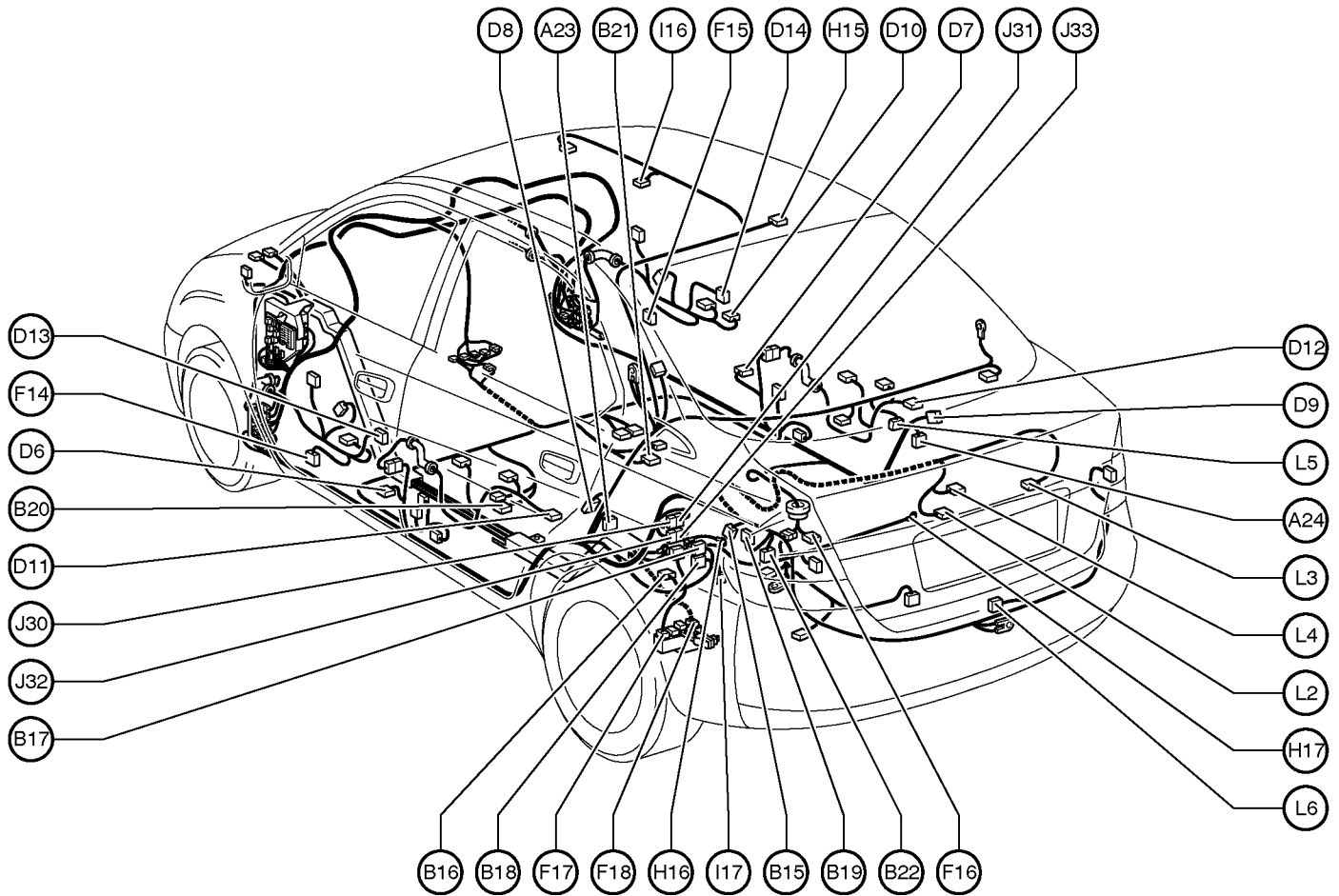
T 4 Transponder Key Computer  
 T 5 Turn Signal Flasher Relay

U 1 Unlock Warning SW and Key Interlock Solenoid

W 5 Wireless Door Control Receiver

# G ELECTRICAL WIRING ROUTING

## Position of Parts in Body



A23 ABS Speed Sensor Rear LH  
 A24 ABS Speed Sensor Rear RH

B15 Battery Blower Motor  
 B16 Battery Blower Motor Controller  
 B17 Battery ECU  
 B18 Battery ECU  
 B19 Battery Fan Relay  
 B20 Buckle SW and Tension Reducer LH  
 B21 Buckle SW RH and  
 Seat Belt Warning Occupant Detection Sensor  
 B22 Battery Input Relay

D 6 Door Courtesy SW Front LH  
 D 7 Door Courtesy SW Front RH  
 D 8 Door Courtesy SW Rear LH  
 D 9 Door Courtesy SW Rear RH  
 D10 Door Lock Control SW Front RH  
 D11 Door Lock Motor and Door Unlock Detection SW  
 Rear LH  
 D12 Door Lock Motor and Door Unlock Detection SW  
 Rear RH  
 D13 Door Lock Motor, Door Key Lock and Unlock SW and  
 Door Unlock Detection SW Front LH  
 D14 Door Lock Motor, Door Key Lock and Unlock SW and  
 Door Unlock Detection SW Front RH

F 14 Front Door Speaker LH  
 F 15 Front Door Speaker RH  
 F 16 Fuel Pump and Fuel Sender  
 F 17 Fusible Link Block No.2  
 F 18 Fusible Link Block No.2

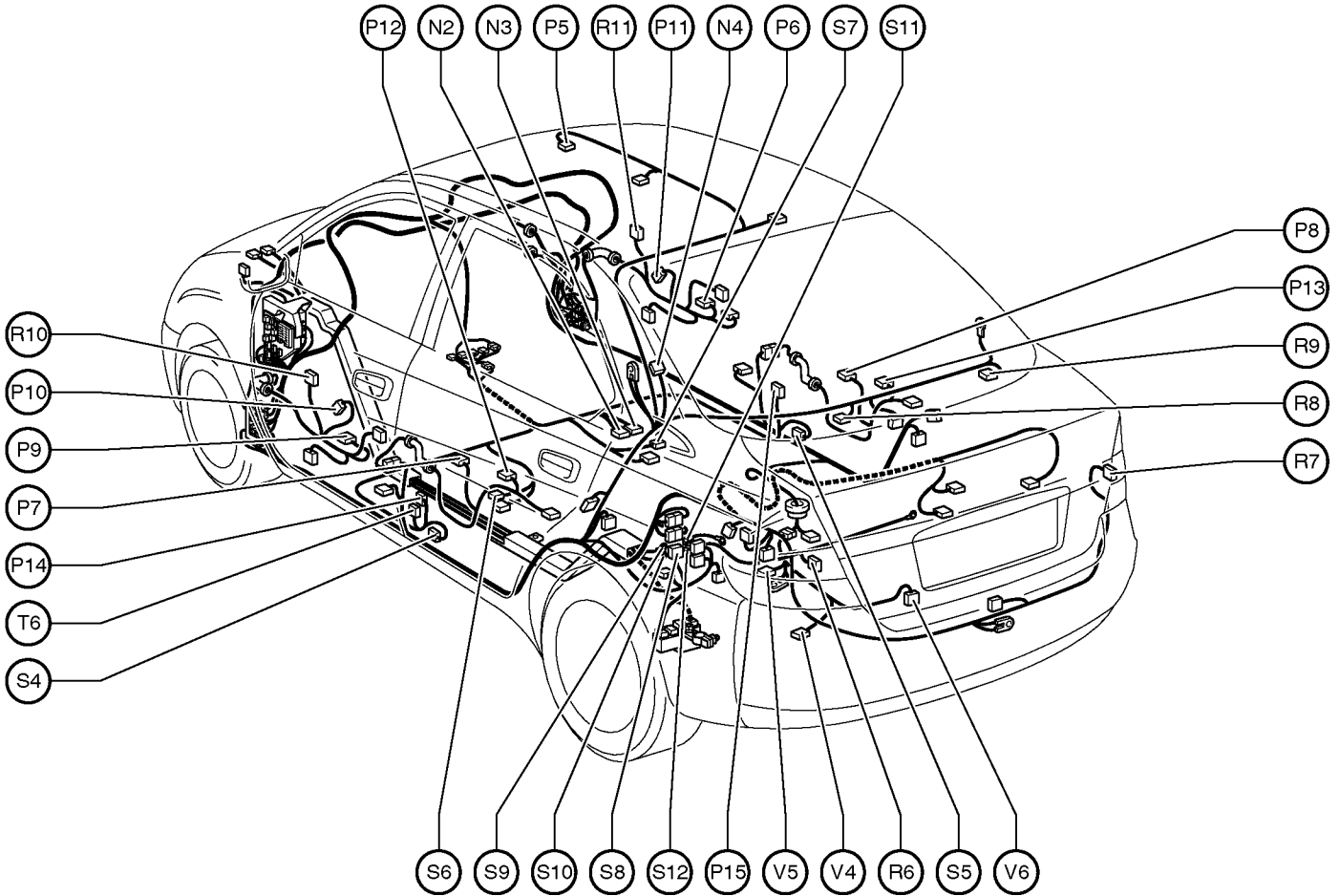
H15 High Mounted Stop Light  
 H16 Hybrid Vehicle Battery  
 H17 Hybrid Vehicle Battery

I 16 Interior Light  
 I 17 Interlock SW

J 30 Junction Connector  
 J 31 Junction Connector  
 J 32 Junction Connector  
 J 33 Junction Connector

L 2 License Plate Light LH  
 L 3 License Plate Light RH  
 L 4 Luggage Compartment Door Unlock SW  
 L 5 Luggage Compartment Light  
 L 6 Luggage Compartment Light SW

## Position of Parts in Body



N 2 Navigation ECU  
 N 3 Navigation ECU  
 N 4 Noise Filter (Rear Window Defogger)

P 5 Personal Light  
 P 6 Power Window Control SW Front RH  
 P 7 Power Window Control SW Rear LH  
 P 8 Power Window Control SW Rear RH  
 P 9 Power Window Master SW  
 P10 Power Window Motor Front LH  
 P11 Power Window Motor Front RH  
 P12 Power Window Motor Rear LH  
 P13 Power Window Motor Rear RH  
 P14 Pretensioner LH  
 P15 Pretensioner RH

R 6 Rear Combination Light LH  
 R 7 Rear Combination Light RH  
 R 8 Rear Speaker LH  
 R 9 Rear Speaker RH  
 R10 Remote Control Mirror LH  
 R11 Remote Control Mirror RH

S 4 Side Airbag Sensor LH  
 S 5 Side Airbag Sensor RH  
 S 6 Side Airbag Squib LH  
 S 7 Side Airbag Squib RH  
 S 8 System Main Relay  
 S 9 System Main Relay  
 S10 System Main Relay  
 S11 System Main Relay  
 S12 System Main Relay

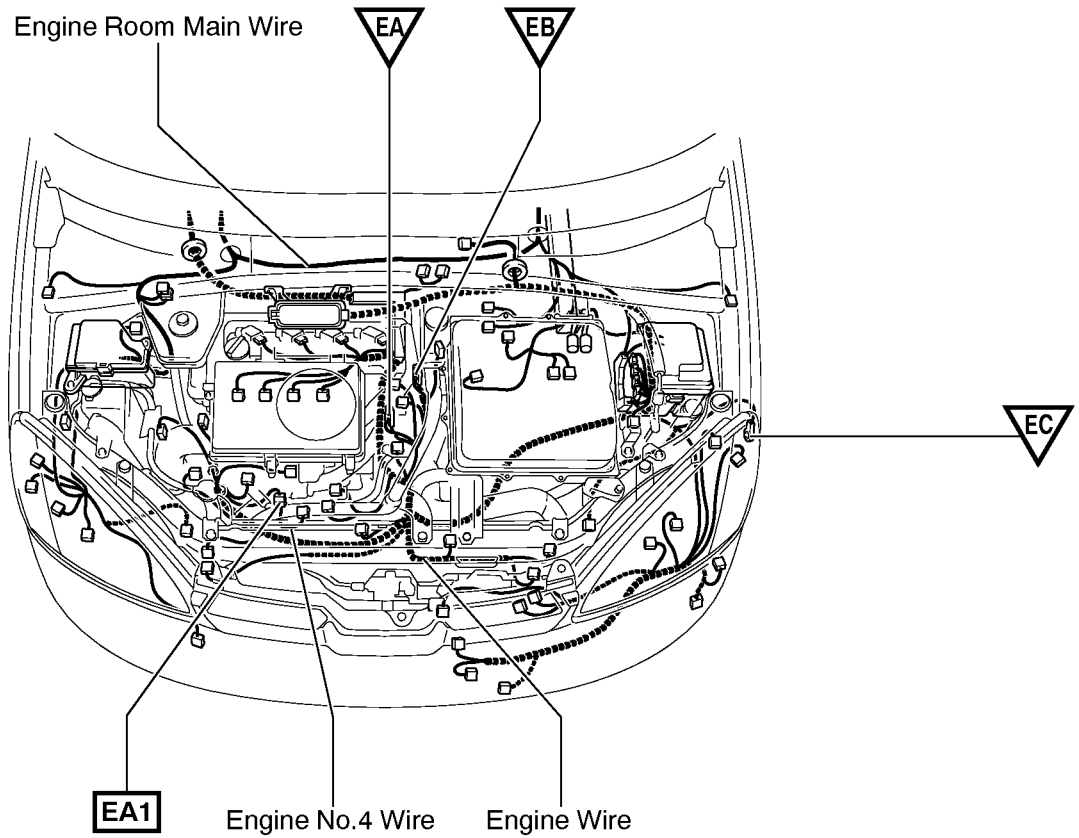
T 6 Tension Reducer Solenoid

V 4 Vapor Pressure Sensor  
 V 5 VSV (Canister Closed Valve)  
 V 6 VSV (Purge Flow Switching Valve)

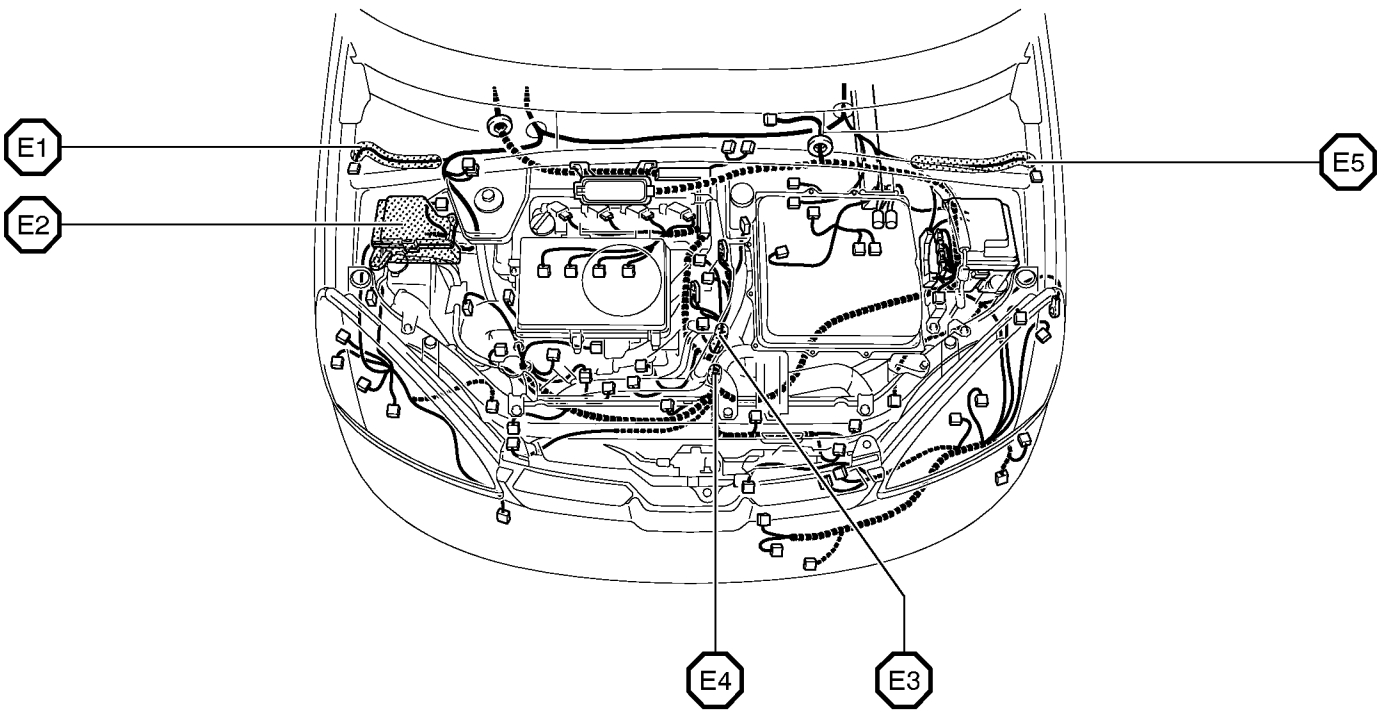
# G ELECTRICAL WIRING ROUTING

□ : Location of Connector Joining Wire Harness and Wire Harness

▽ : Location of Ground Points

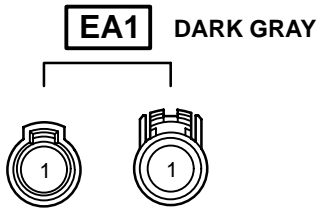


○ : Location of Splice Points





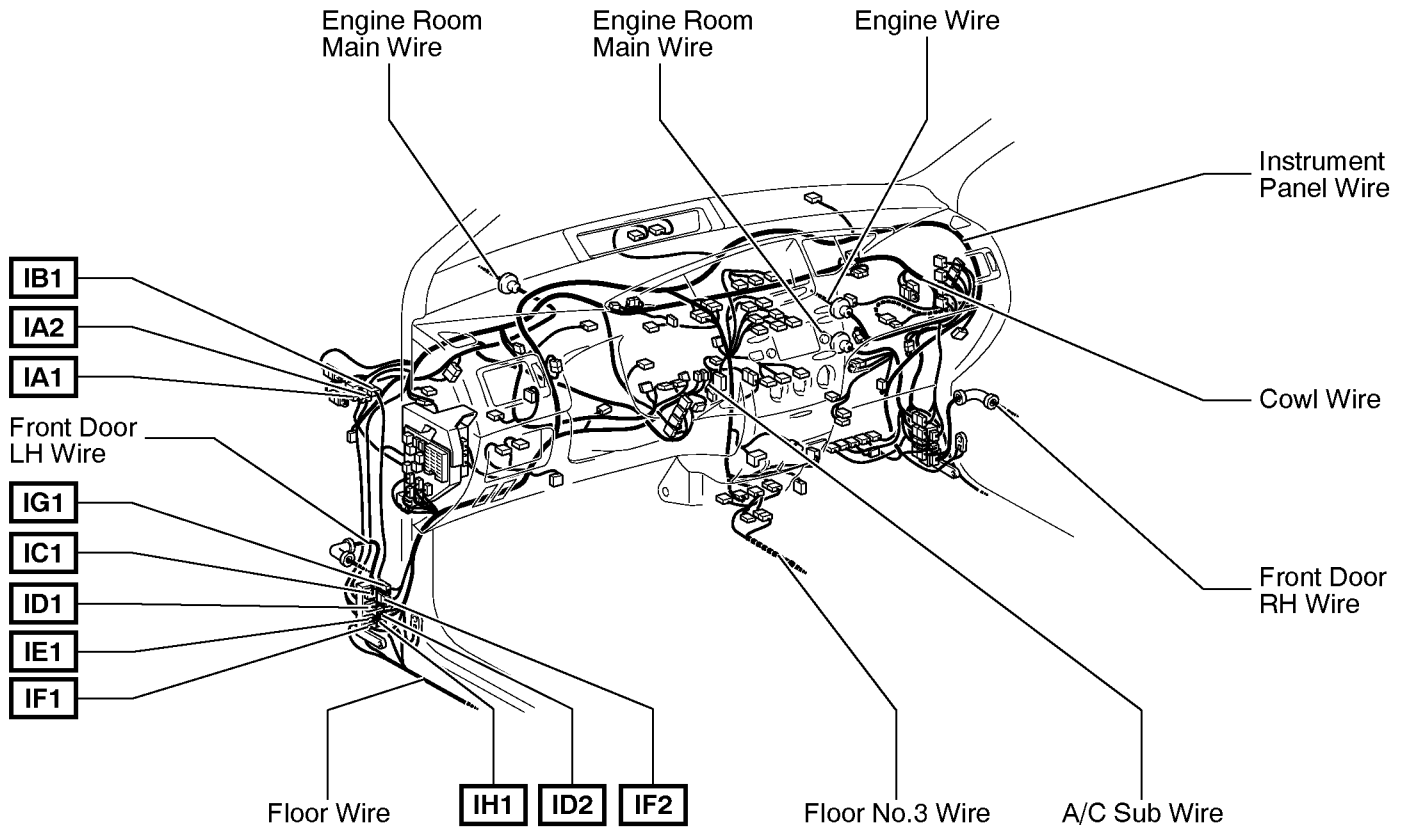
## Connector Joining Wire Harness and Wire Harness



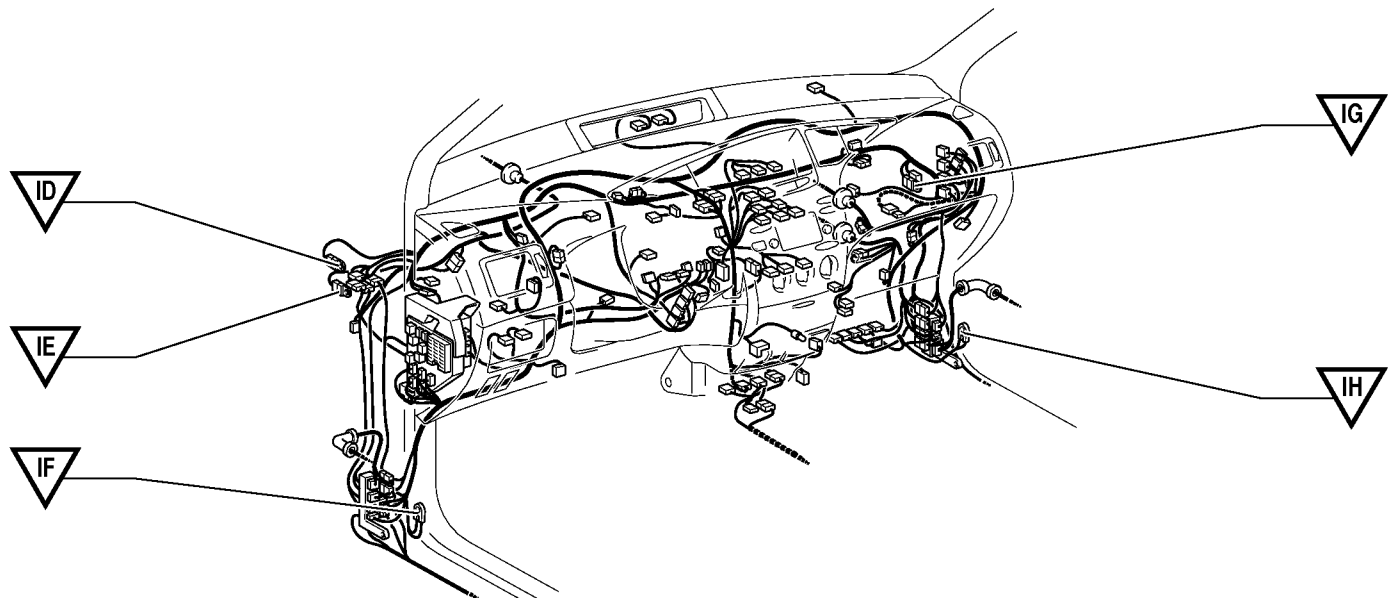
Code	Joining Wire Harness and Wire Harness (Connector Location)
EA1	Engine Wire and Engine No.4 Wire (Near the Radiator Fan)

# G ELECTRICAL WIRING ROUTING

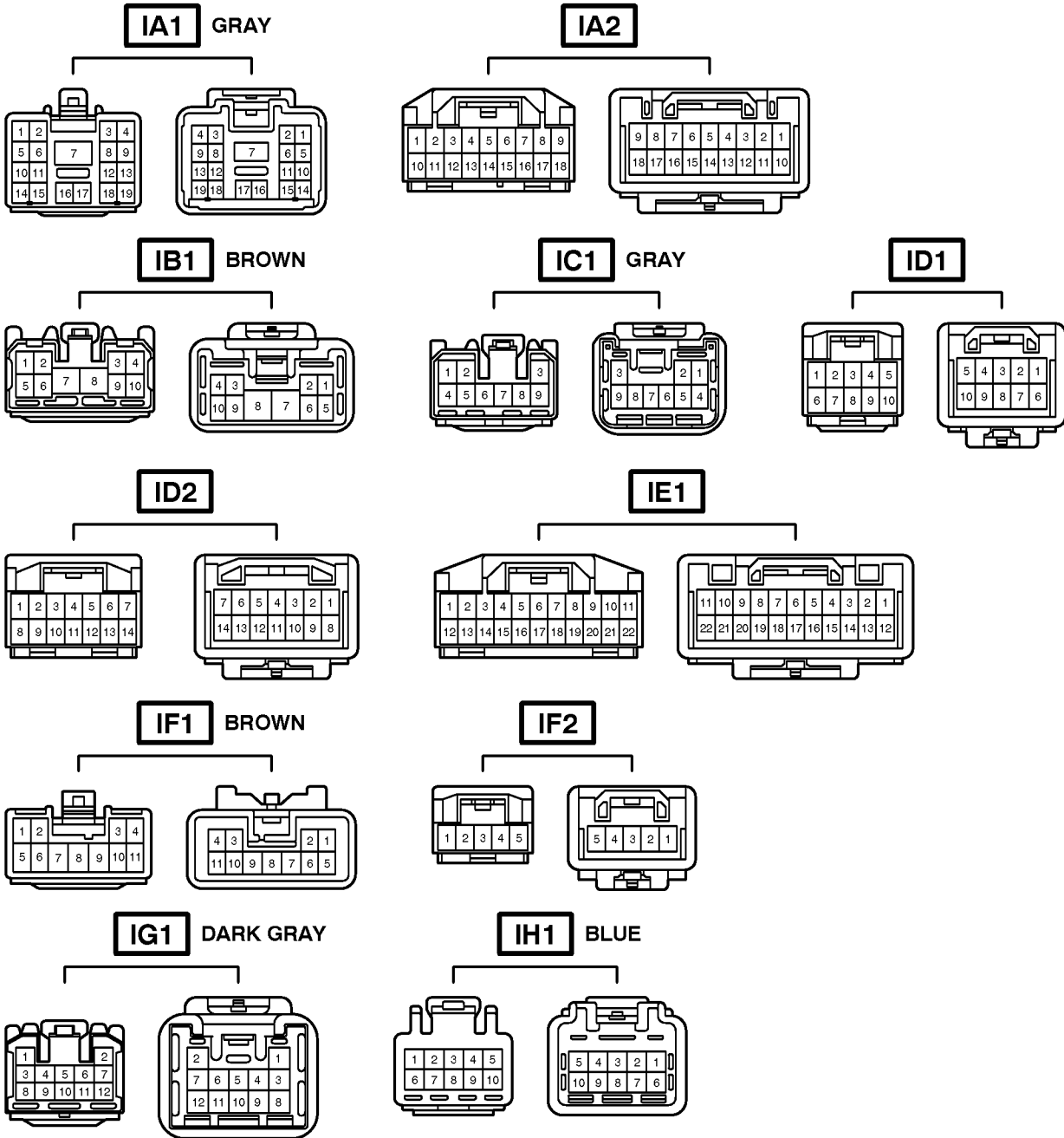
**□ : Location of Connector Joining Wire Harness and Wire Harness**



**▽ : Location of Ground Points**



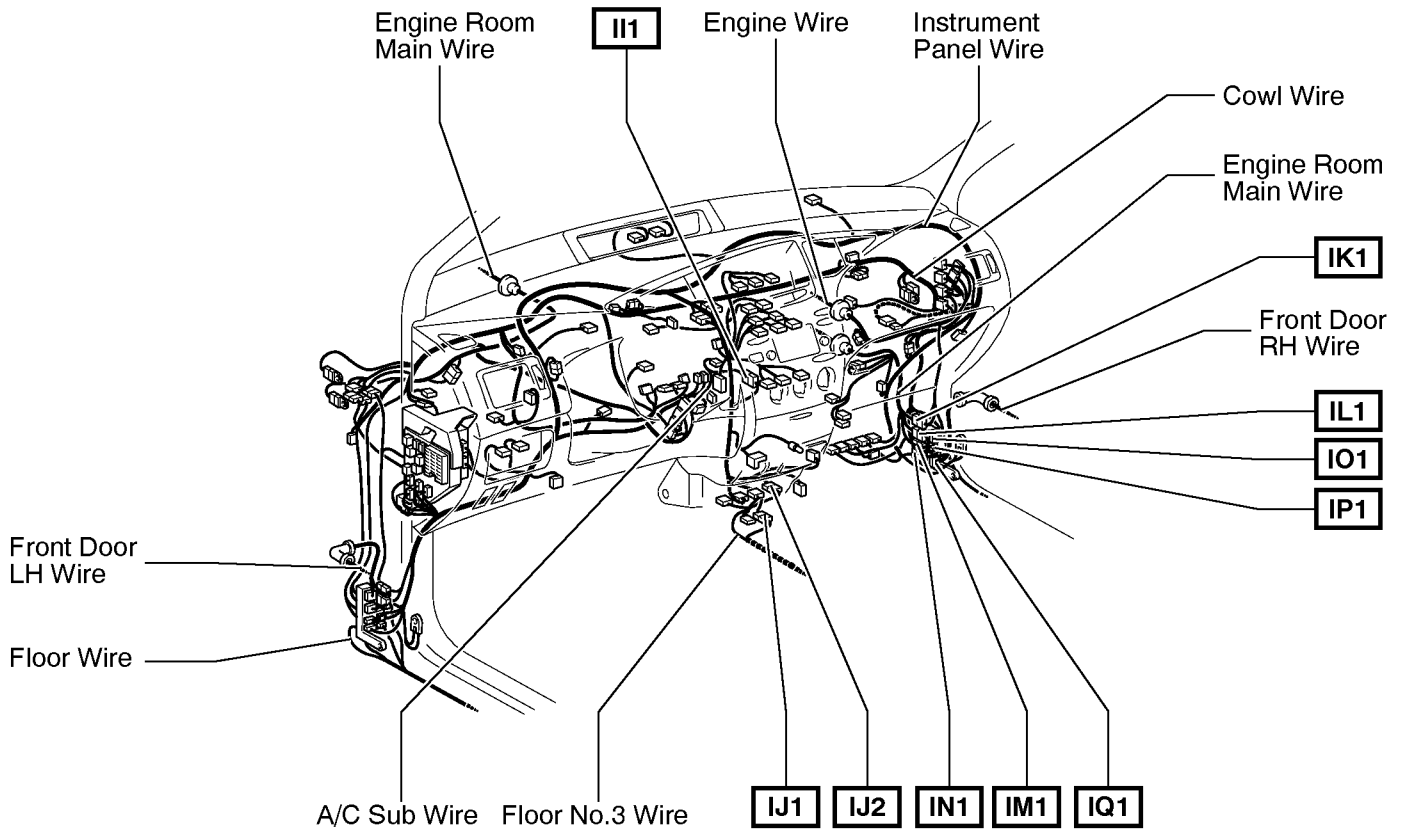
## Connector Joining Wire Harness and Wire Harness



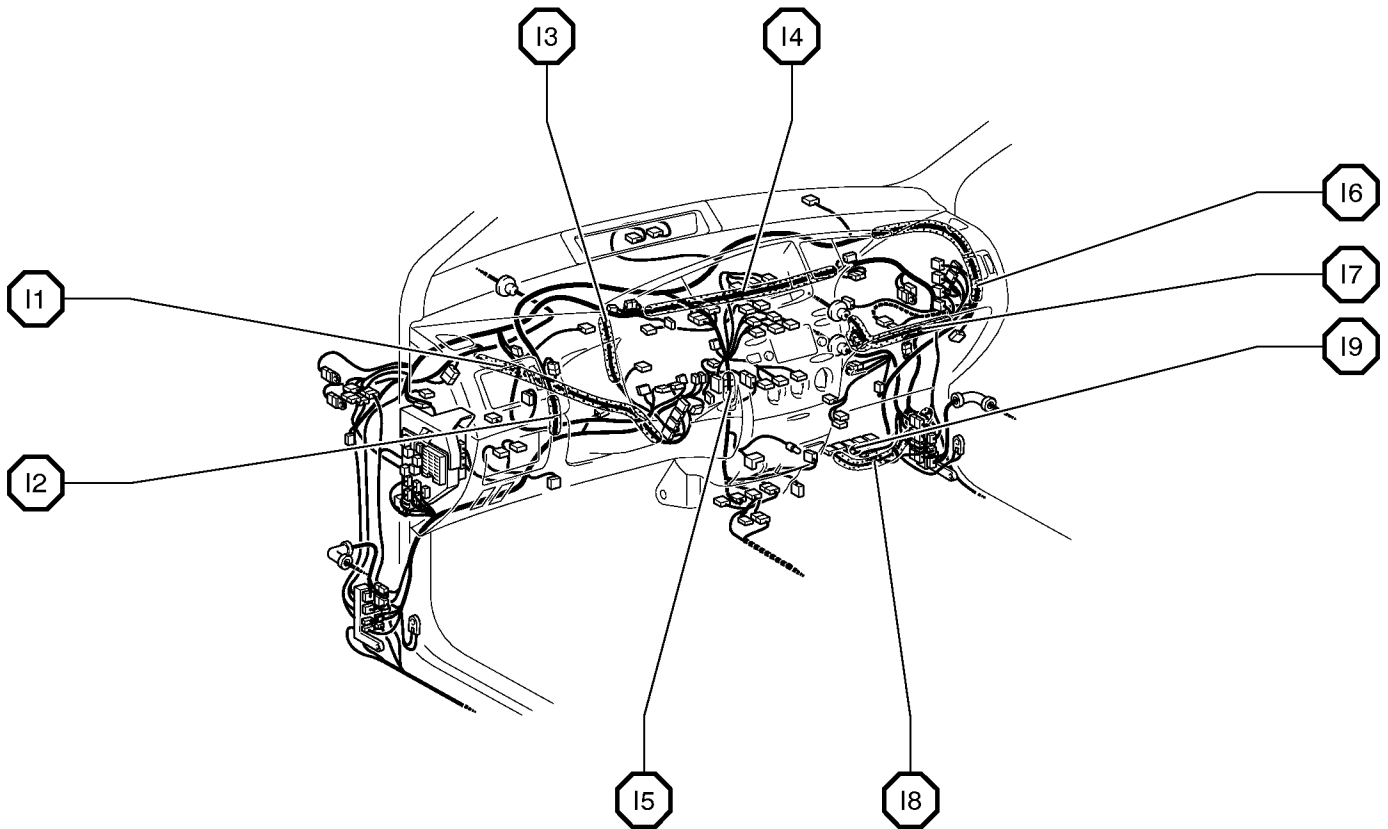
Code	Joining Wire Harness and Wire Harness (Connector Location)
IA1	Engine Room Main Wire and Cowl Wire (Cowl Side Panel LH)
IA2	Engine Room Main Wire and Cowl Wire (Cowl Side Panel LH)
IB1	Floor Wire and Cowl Wire (Cowl Side Panel LH)
IC1	Front Door LH Wire and Cowl Wire (Left Kick Panel)
ID1	Instrument Panel Wire and Cowl Wire (Left Kick Panel)
ID2	Instrument Panel Wire and Cowl Wire (Left Kick Panel)
IE1	Instrument Panel Wire and Engine Room Main Wire (Left Kick Panel)
IF1	Instrument Panel Wire and Floor Wire (Left Kick Panel)
IF2	Instrument Panel Wire and Floor Wire (Left Kick Panel)
IG1	Front Door LH Wire and Instrument Panel Wire (Left Kick Panel)
IH1	Floor Wire and Engine Room Main Wire (Left Kick Panel)

# G ELECTRICAL WIRING ROUTING

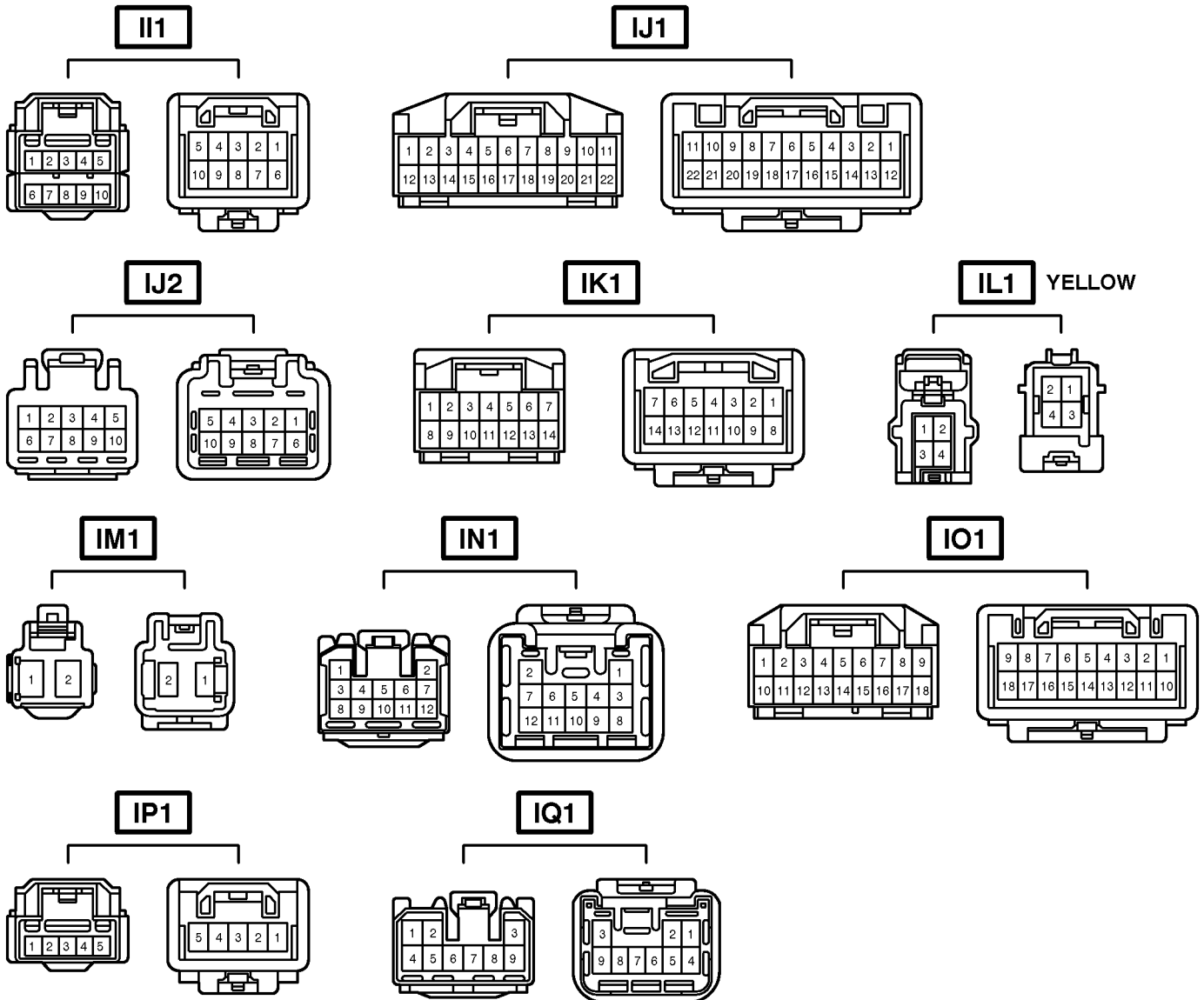
**□ : Location of Connector Joining Wire Harness and Wire Harness**



**○ : Location of Splice Points**



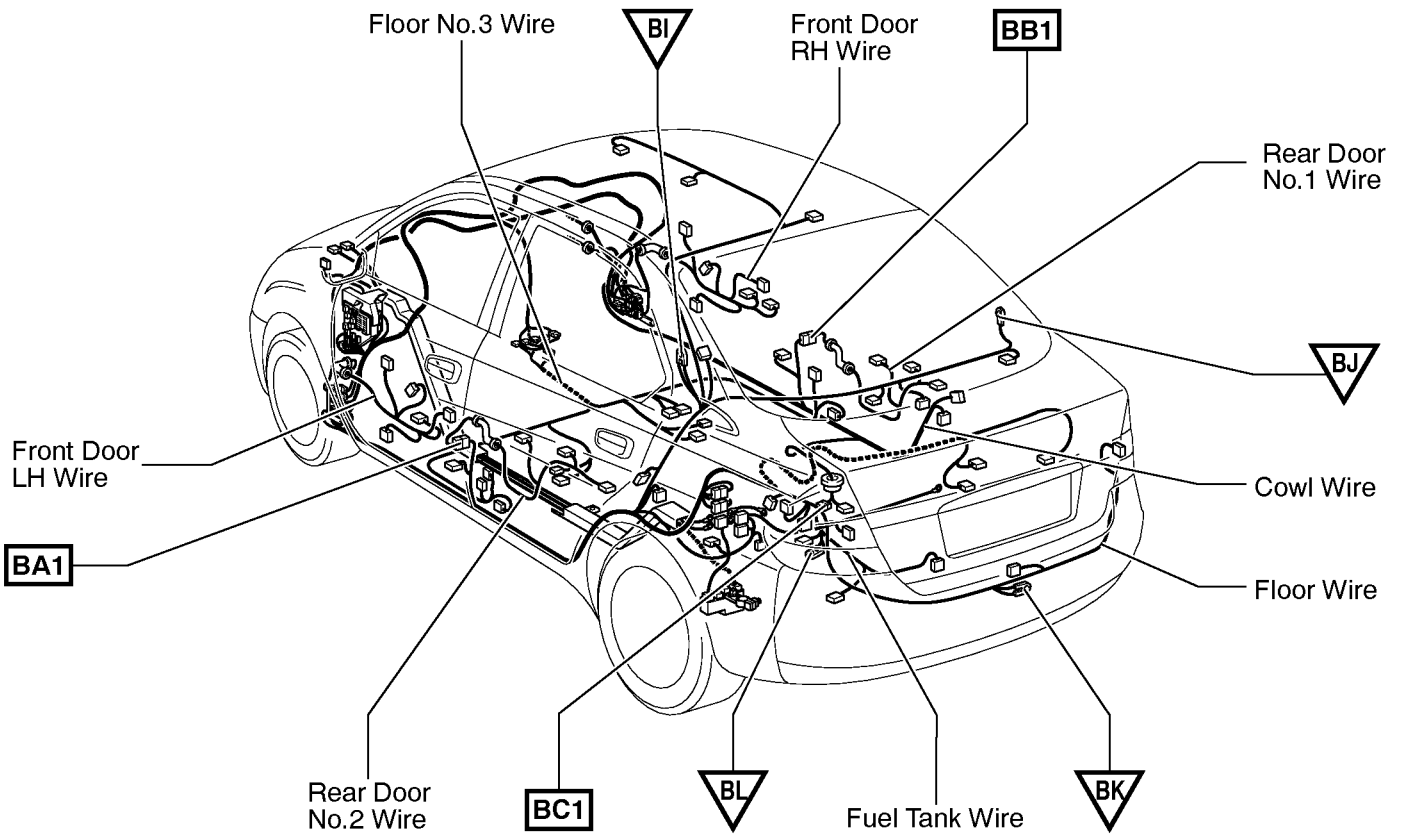
## Connector Joining Wire Harness and Wire Harness



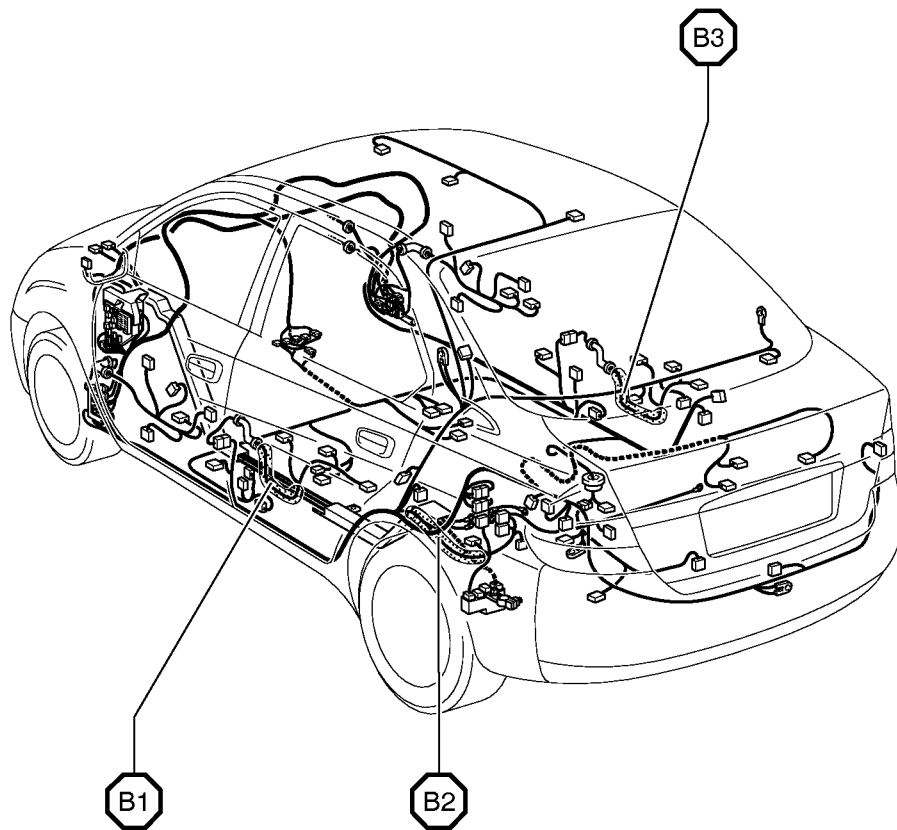
Code	Joining Wire Harness and Wire Harness (Connector Location)
II1	Instrument Panel Wire and A/C Sub Wire (Instrument Panel Brace LH)
IJ1	Floor No.3 Wire and Instrument Panel Wire (Under the Instrument Panel Center)
IJ2	
IK1	Engine Wire and Engine Room Main Wire (Right Kick Panel)
IL1	Instrument Panel Wire and Engine Room Main Wire (Right Kick Panel)
IM1	Engine Room Main Wire and Cowl Wire (Right Kick Panel)
IN1	Front Door RH Wire and Instrument Panel Wire (Right Kick Panel)
IO1	Engine Wire and Cowl Wire (Right Kick Panel)
IP1	Instrument Panel Wire and Cowl Wire (Right Kick Panel)
IQ1	Front Door RH Wire and Cowl Wire (Right Kick Panel)

# G ELECTRICAL WIRING ROUTING

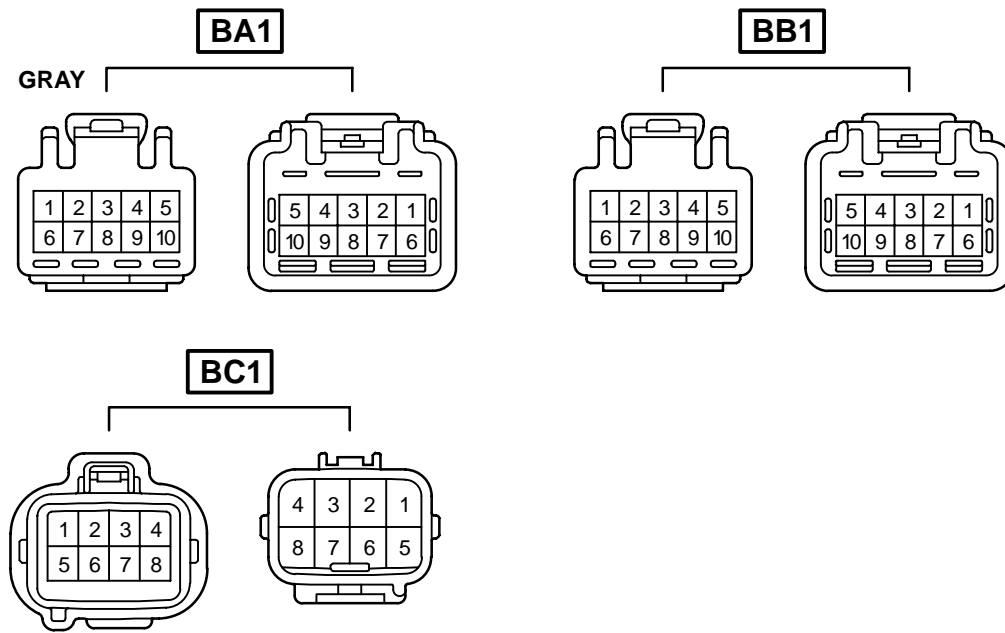
□ : Location of Connector Joining Wire Harness and Wire Harness  
 ▽ : Location of Ground Points



○ : Location of Splice Points

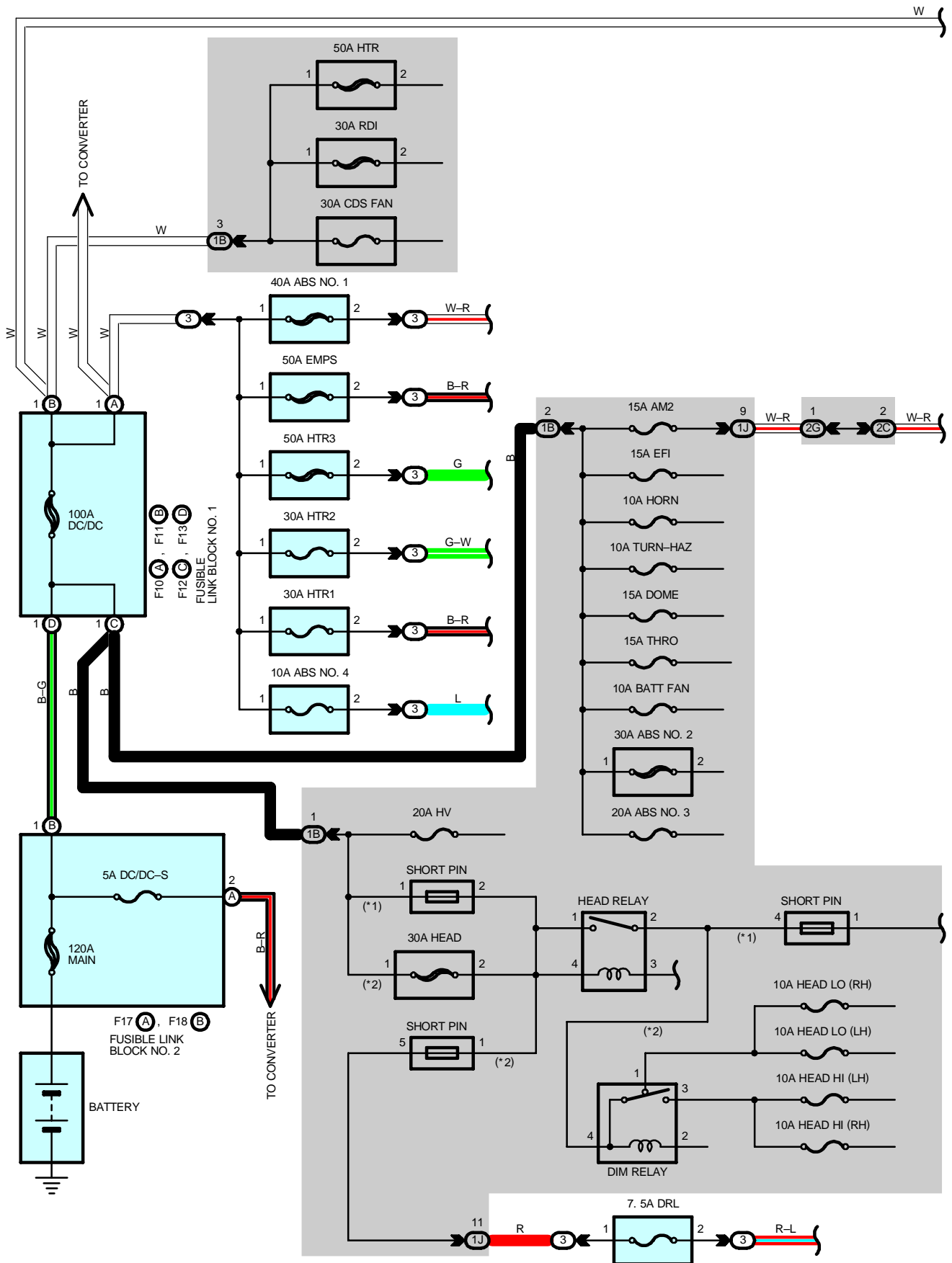


## Connector Joining Wire Harness and Wire Harness

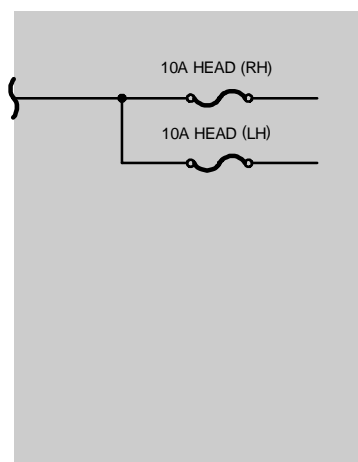
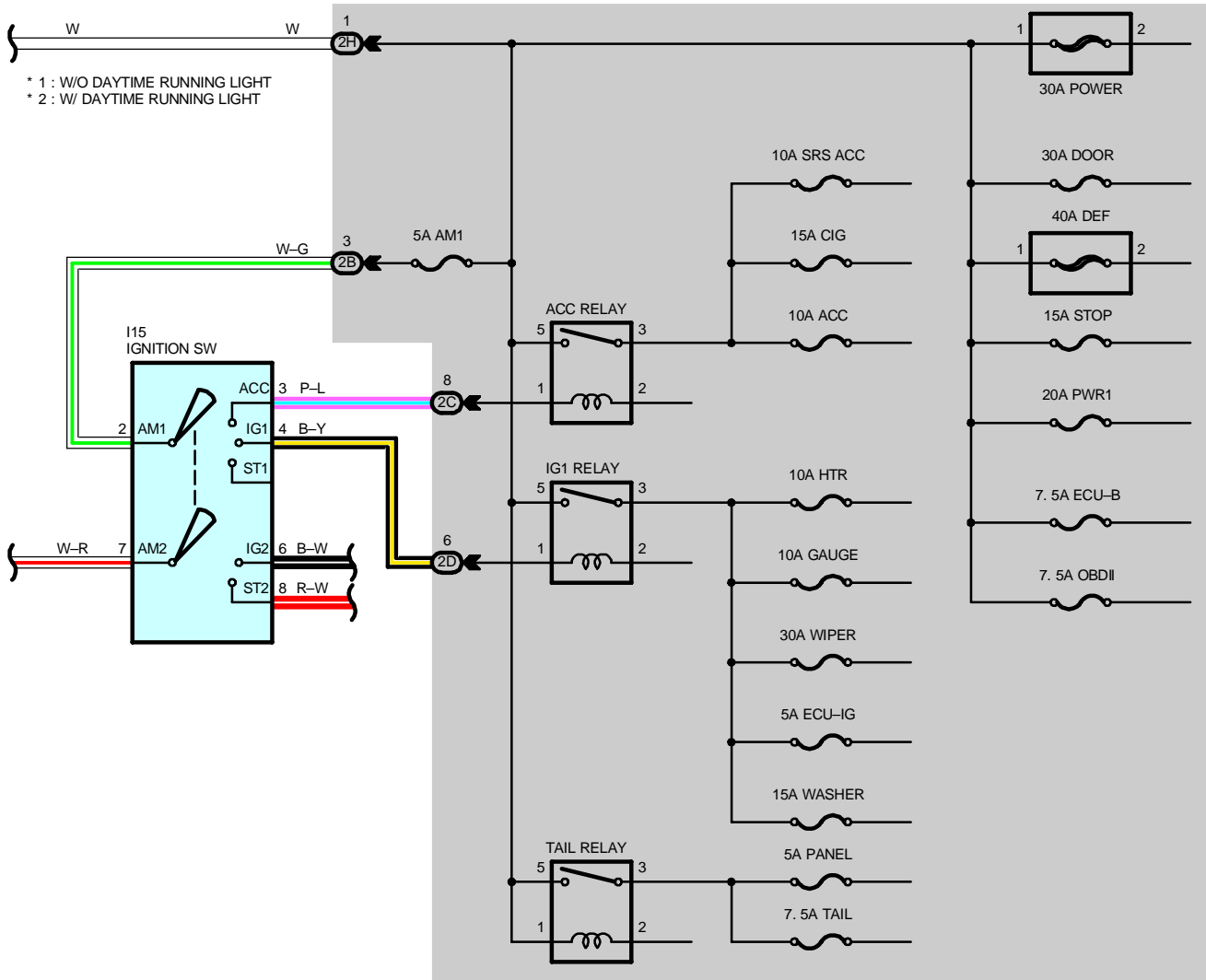


Code	Joining Wire Harness and Wire Harness (Connector Location)
BA1	Rear Door No.2 Wire and Floor Wire (Center Pillar LH)
BB1	Rear Door No.1 Wire and Cowl Wire (Center Pillar RH)
BC1	Cowl Wire and Fuel Tank Wire (Near the Fuel Tank)

# POWER SOURCE







# POWER SOURCE

## SERVICE HINTS

### HEAD RELAY

- 2-1 : Closed with the light control SW at **HEAD** position or the dimmer SW at **FLASH** position
- Closed with the engine running and the parking brake pedal released (Parking brake SW off) [w/ Daytime running light]

### TAIL RELAY

- 5-3 : Closed with the light control SW at **TAIL** or **HEAD** position

### I15 IGNITION SW

- 2-3 : Closed with the ignition key at **ACC** or **ON** position
- 2-4 : Closed with the ignition key at **ON** or **ST** position
- 7-6 : Closed with the ignition key at **ON** or **ST** position
- 7-8 : Closed with the ignition key at **ST** position

## ○ : PARTS LOCATION

Code		See Page	Code		See Page	Code		See Page
F10	A	34	F13	D	34	I15	37	
F11	B	34	F17	A	38			
F12	C	34	F18	B	38			

## ○ : RELAY BLOCKS

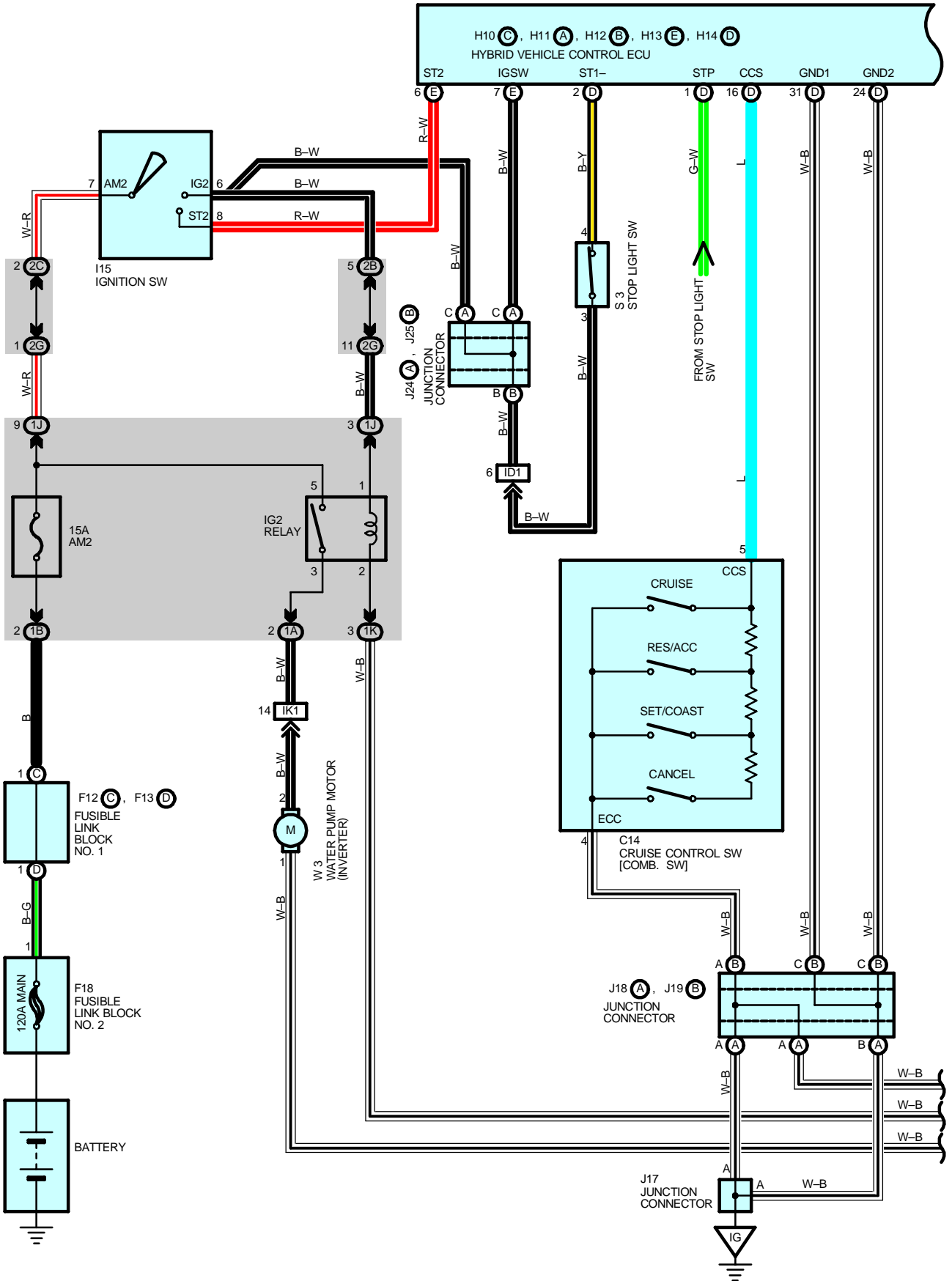
Code	See Page	Relay Blocks (Relay Block Location)
3	24	Engine Room R/B No.3 (Engine Compartment Right)

## ○ : JUNCTION BLOCK AND WIRE HARNESS CONNECTOR

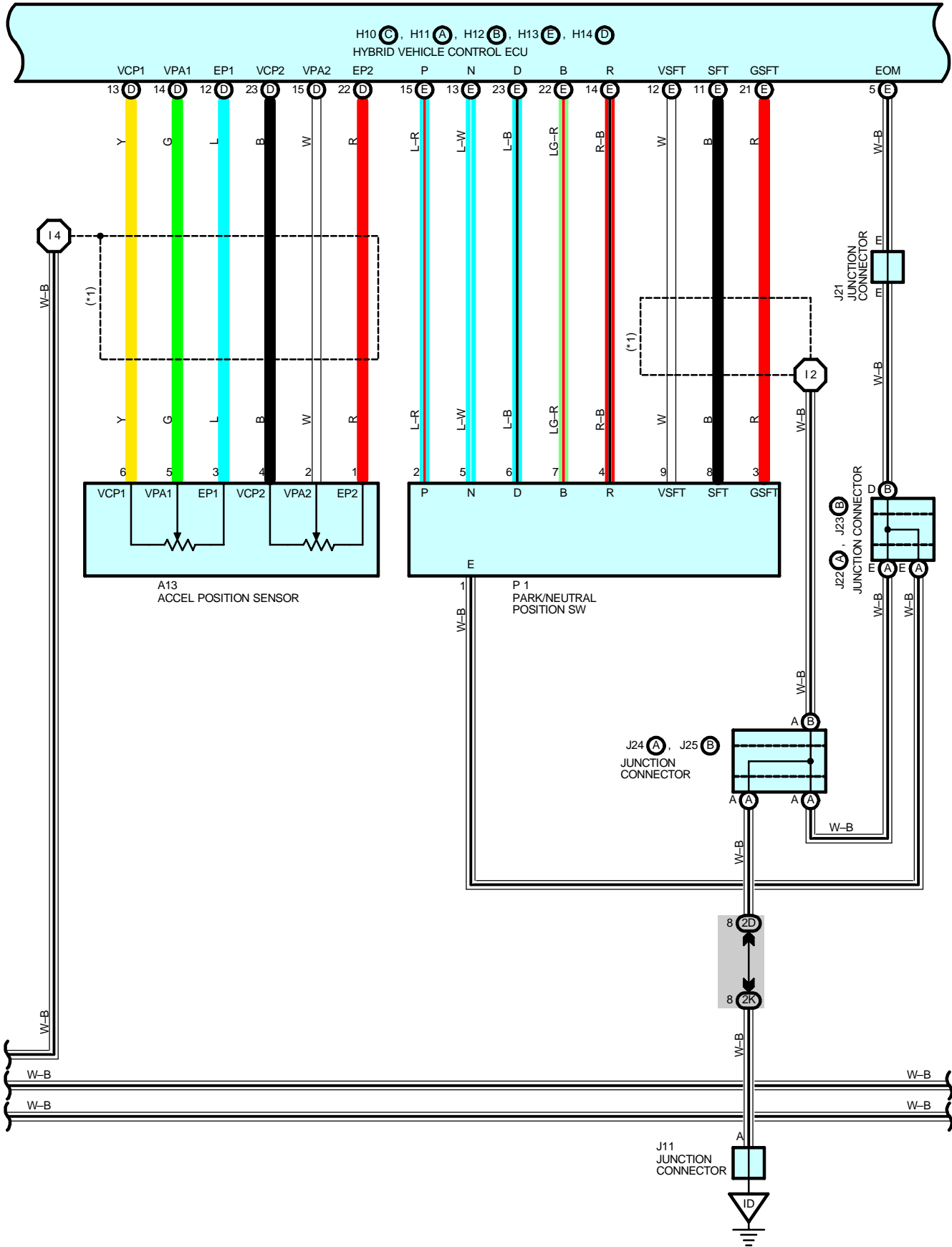
Code	See Page	Junction Block and Wire Harness (Connector Location)
1B	27	Engine Room Main Wire and Engine Room J/B (Engine Compartment Left)
1J		
2B	30	Instrument Panel Wire and Instrument Panel J/B (Cowl Side Panel LH)
2C		
2D		
2G	31	Engine Room Main Wire and Instrument Panel J/B (Cowl Side Panel LH)
2H		



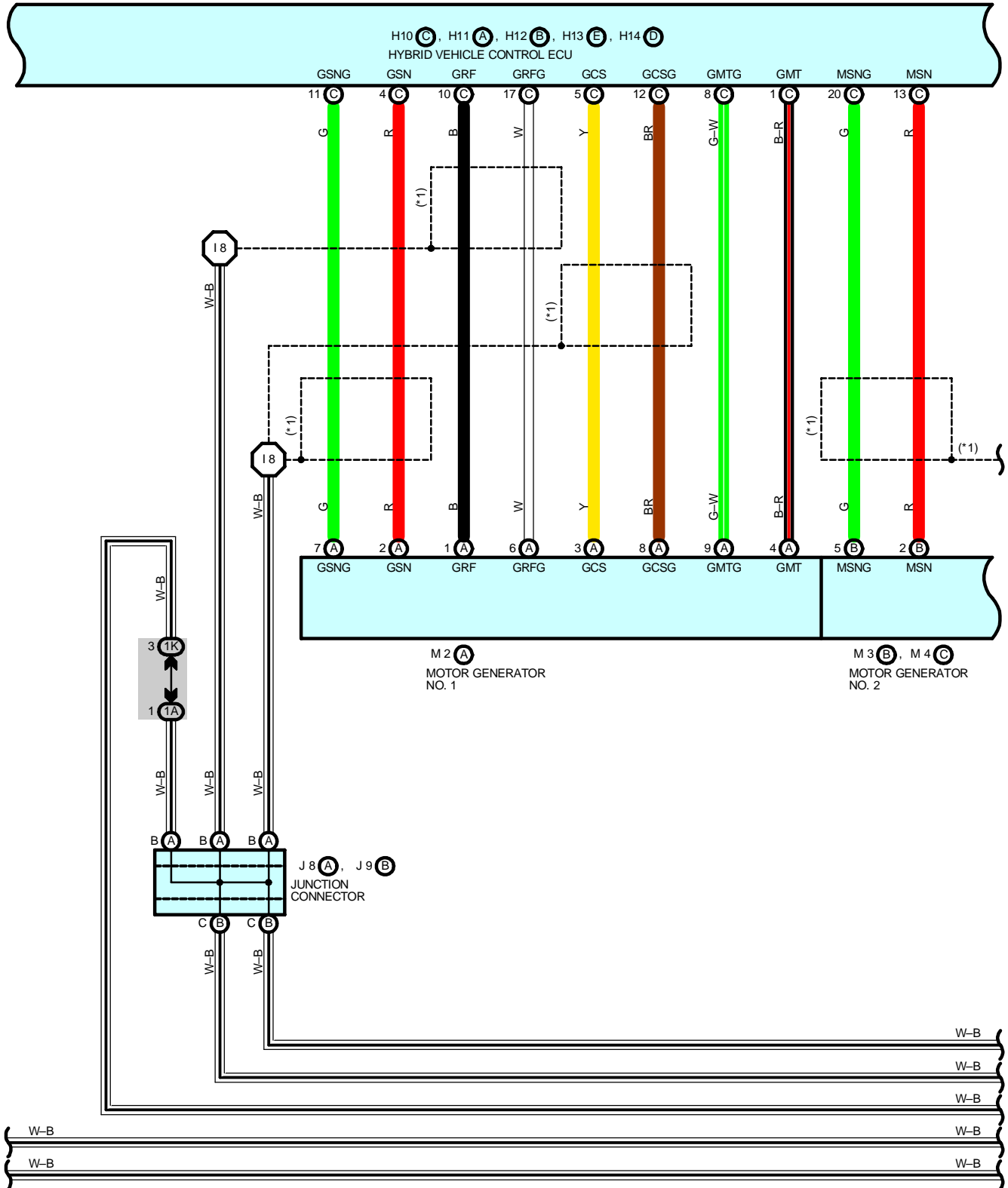
# TOYOTA HYBRID SYSTEM



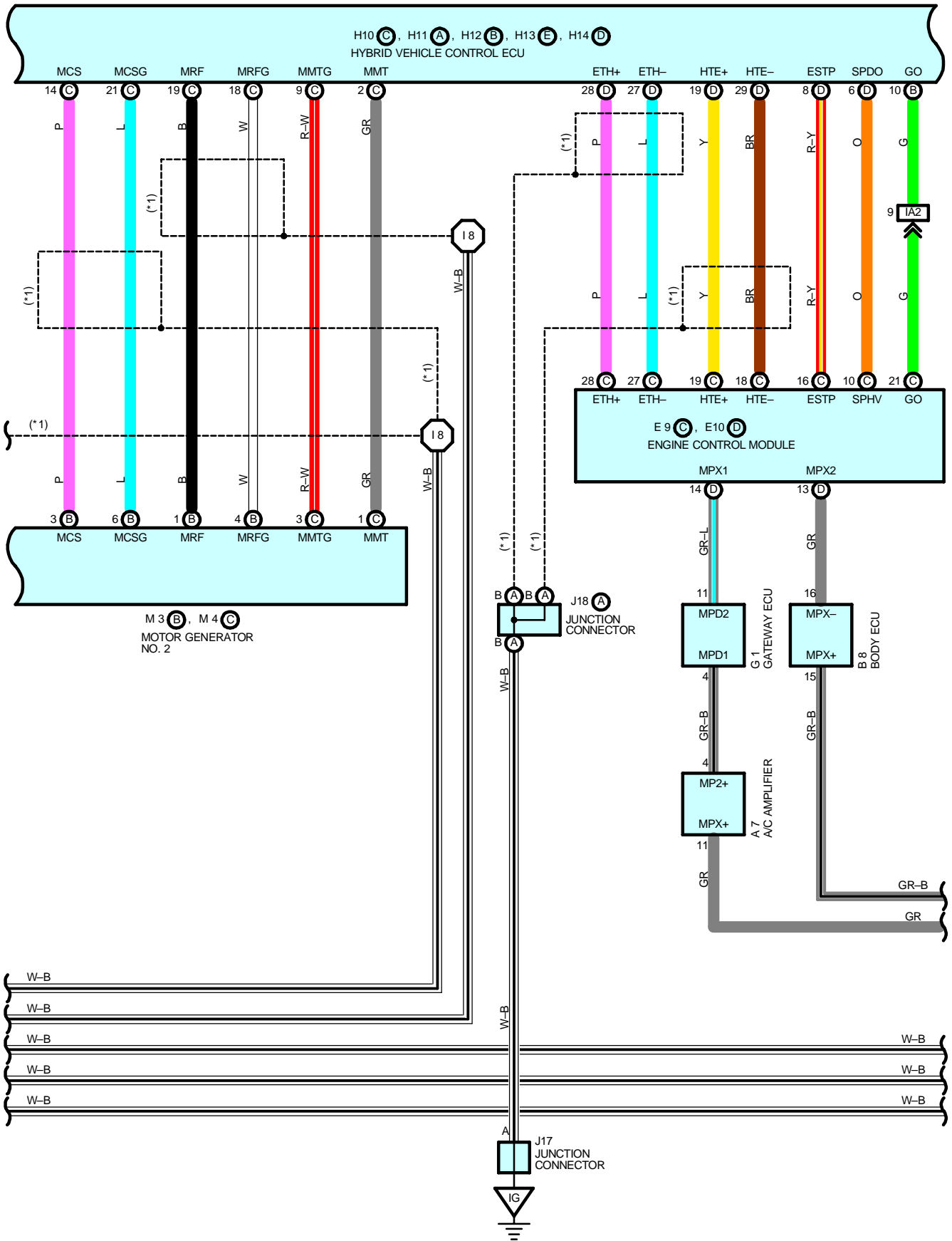
\* 1 : SHIELDED



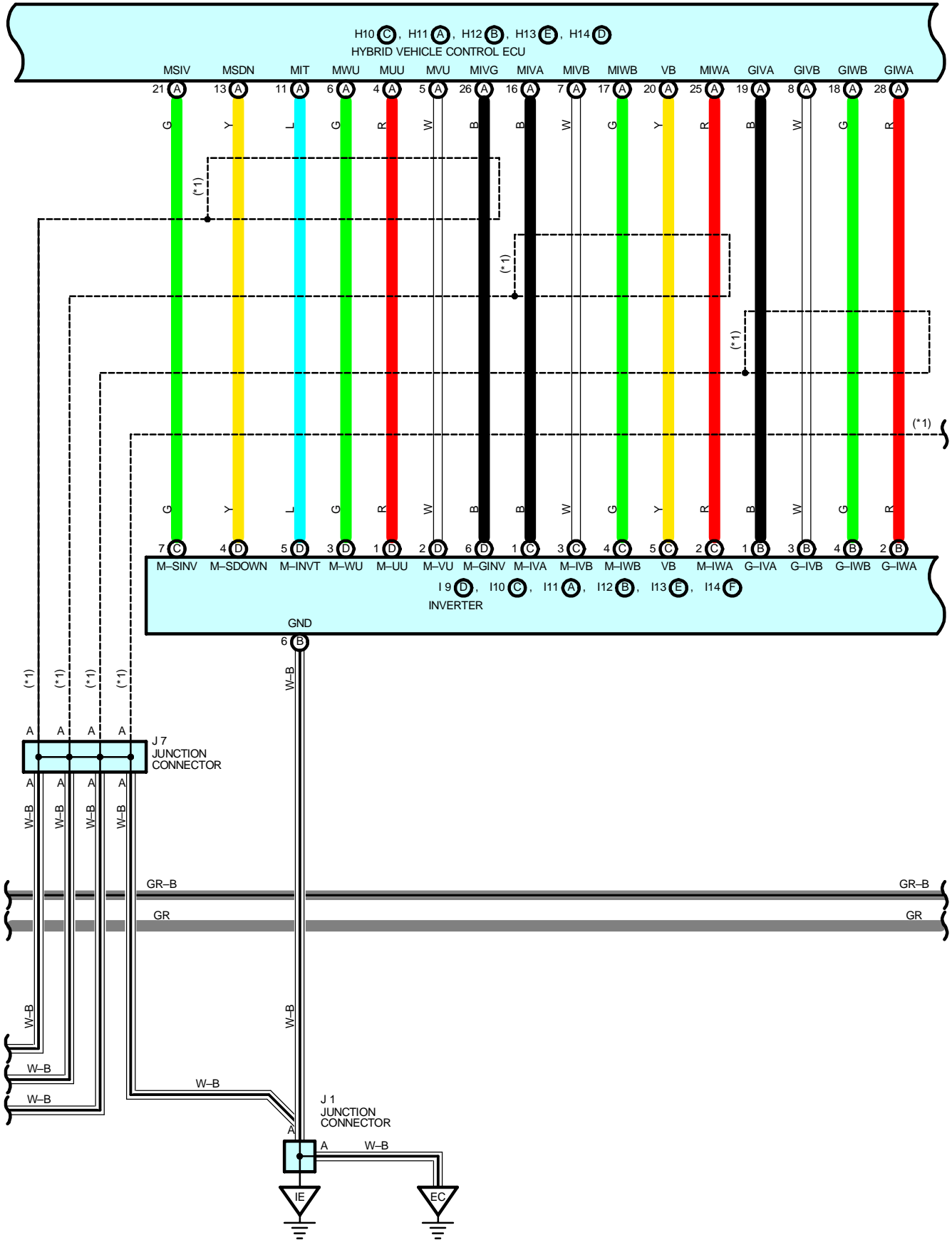
# TOYOTA HYBRID SYSTEM



\* 1 : SHIELDED

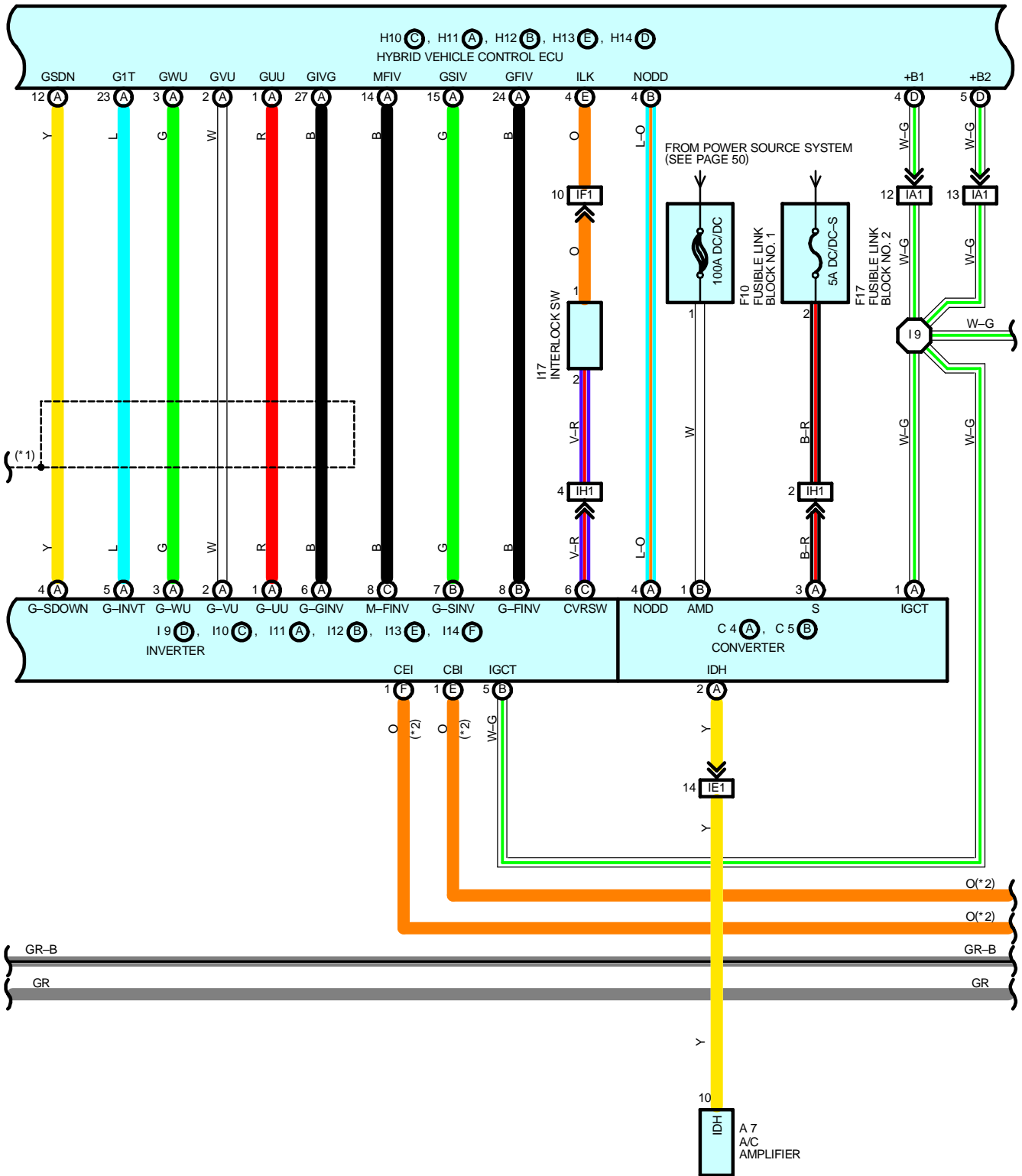


# TOYOTA HYBRID SYSTEM

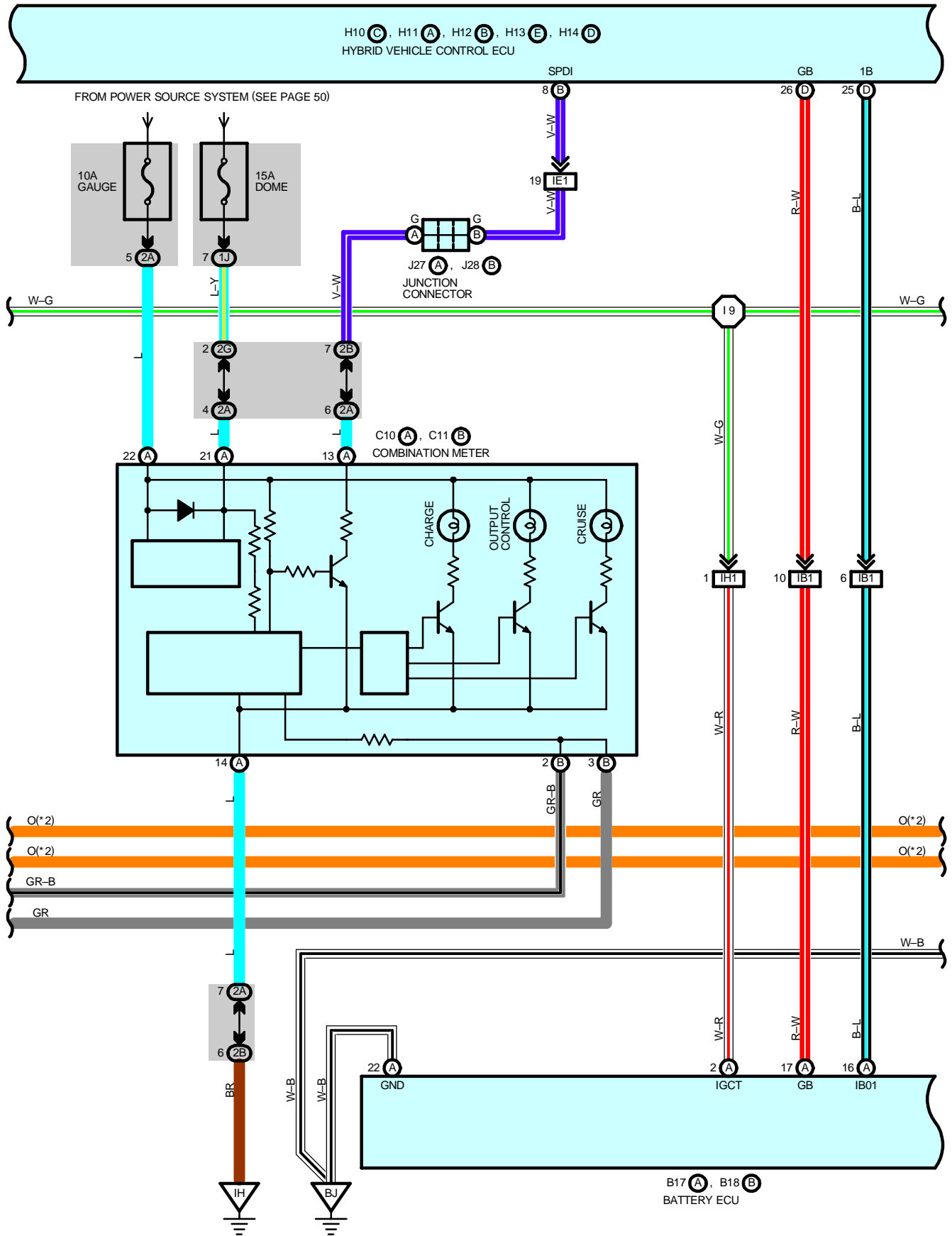




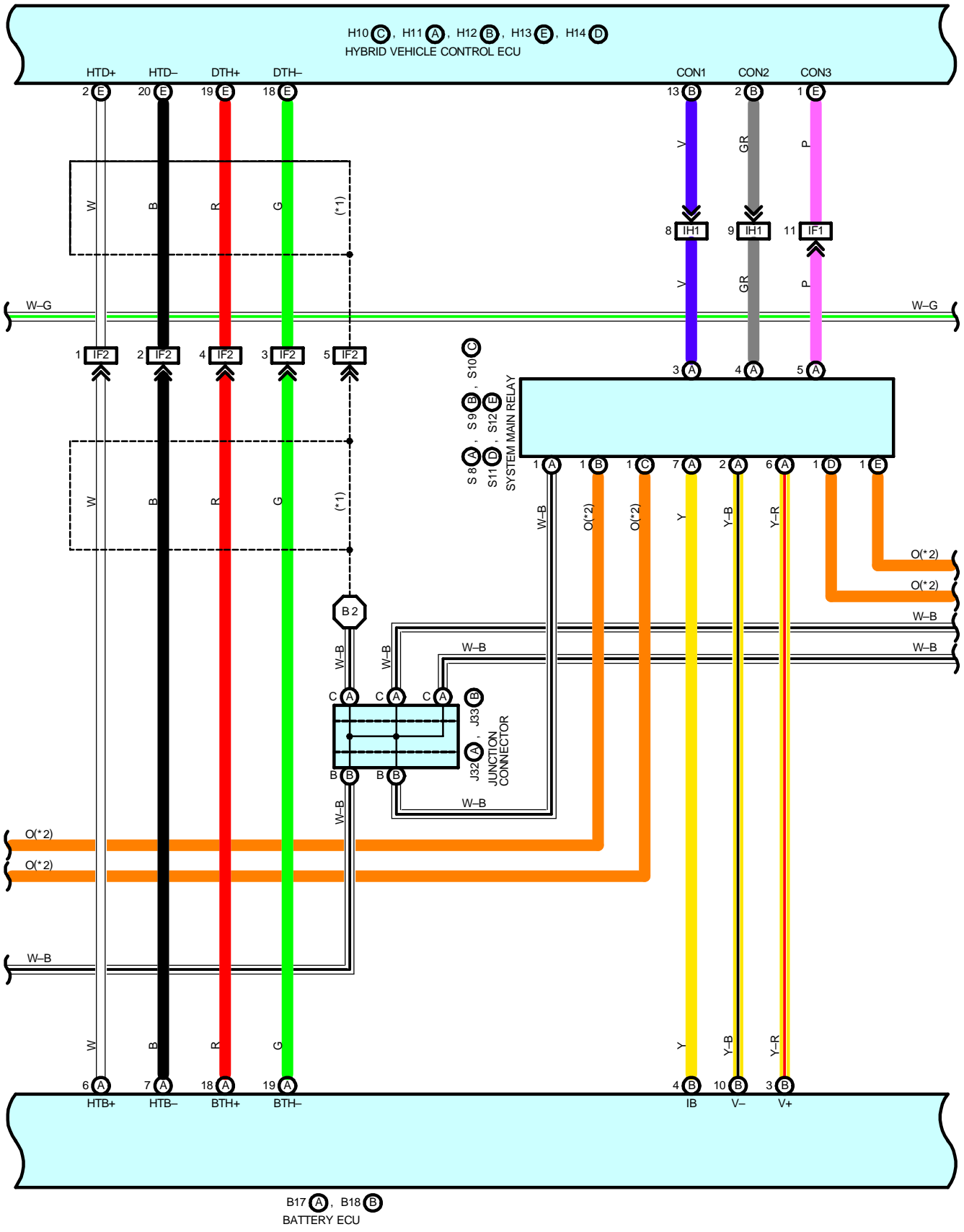
\* 1 : SHIELDED  
 \* 2 : HIGH VOLTAGE (273. 6V)



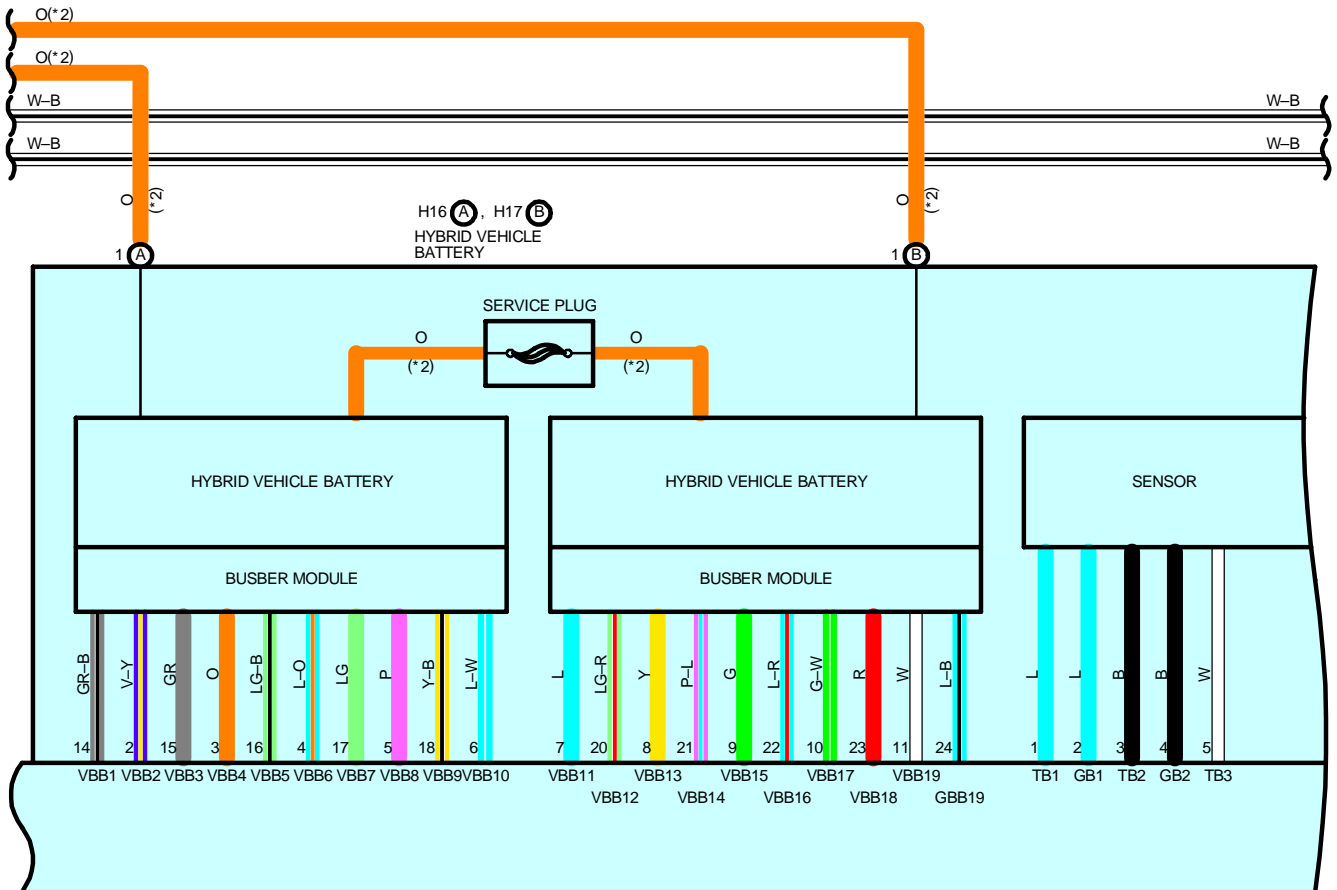
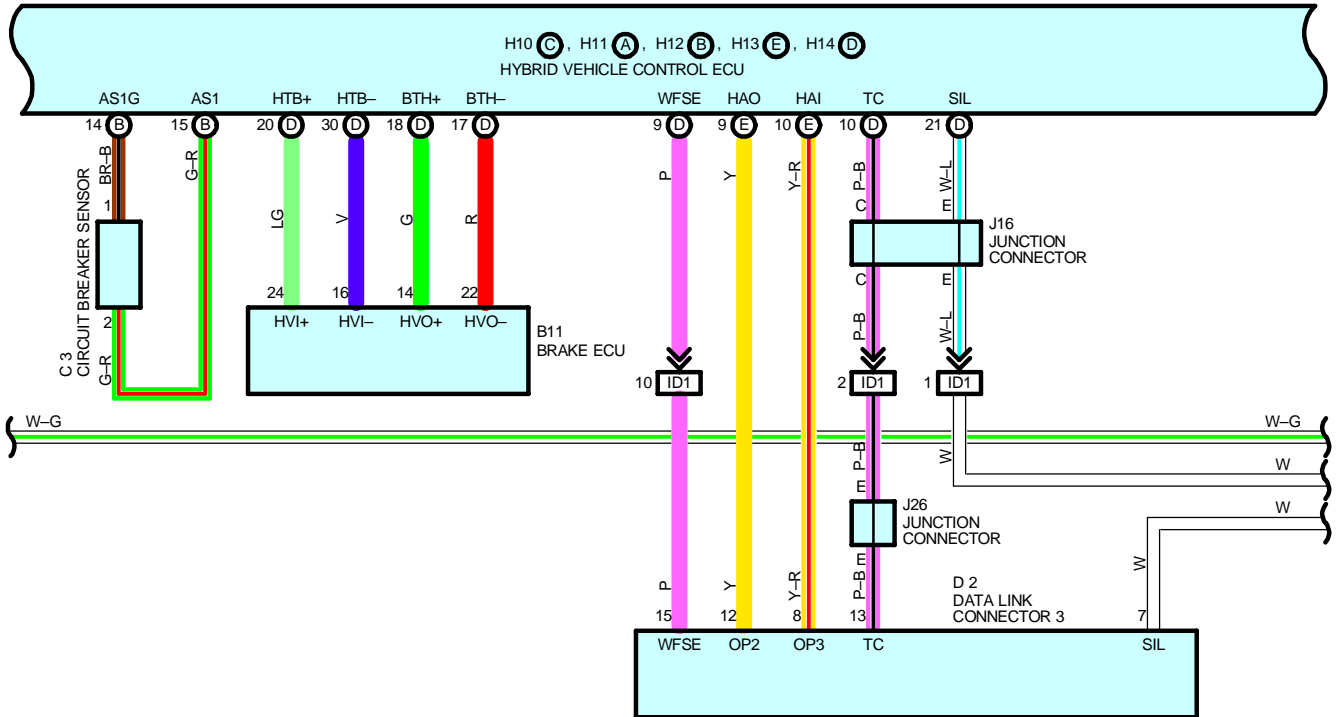
# TOYOTA HYBRID SYSTEM



\* 1 : SHIELDED  
 \* 2 : HIGH VOLTAGE (273. 6V)



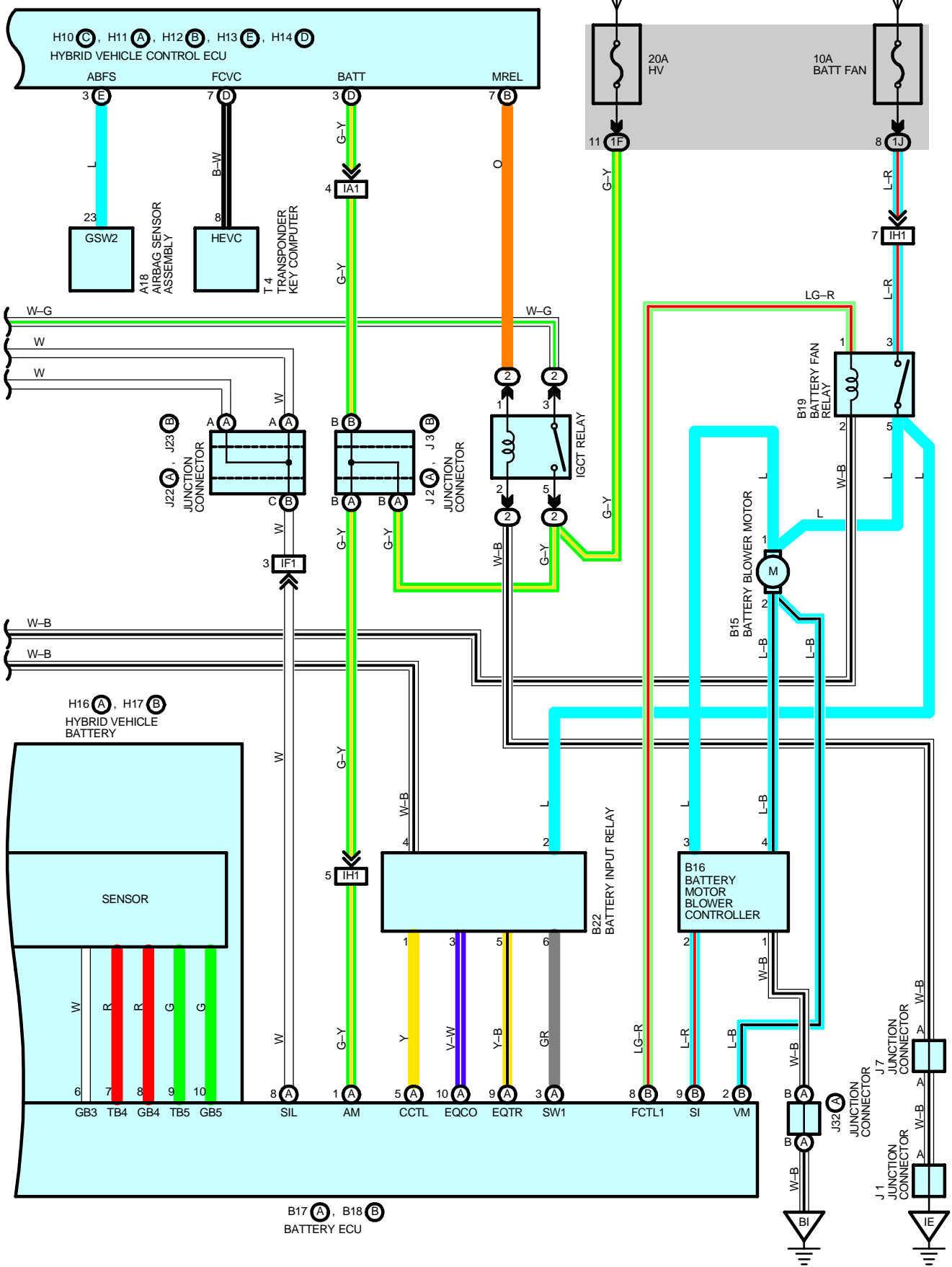
# TOYOTA HYBRID SYSTEM



**B17 (A), B18 (B)**  
BATTERY ECU

\* 2 : HIGH VOLTAGE (273. 6V)

FROM POWER SOURCE SYSTEM (SEE PAGE 50)



# TOYOTA HYBRID SYSTEM

## SYSTEM OUTLINE

### FEATURES OF TOYOTA HYBRID SYSTEM

This system controls the following modes in order to achieve the most efficient operations to match the driving conditions.

- (1) Supply of electrical power from the HV battery to motor generator no.2 provides force to drive the wheels.
- (2) While the tires are driven by the engine via the planetary gears, motor generator no.1 is driven via the planetary gears to supply electricity to motor generator no.2 to drive the wheels.
- (3) When the vehicle is decelerating, kinetic energy from the wheels is recovered and converted into electrical energy and used to recharge the HV battery by means of motor generator no.2.

The hybrid vehicle control ECU switches between these modes (1, 2, 1+2, or 3) according to the driving conditions. However, when the state of charge of the HV battery is low, the HV battery is charged by the engine by turning motor generator no.1.

### CRUISE CONTROL OPERATION

Cruise control is the speed control device, which sets the desired speed by just operating the switch on the control panel without pressing the accelerator pedal. This device is used when you would like to drive the vehicle at the fixed speed.

#### 1. SET CONTROL

If you operate the SET/COAST switch when driving (The available range of set speed: between about 40 and 200 km/h) with the main switch is ON (When power indicator comes on), the device memorizes vehicle's speed when switch is off and controls the fixed speed.

#### 2. SET SPEED CONTROL

This device compares the vehicle's running speed and the memorized speed, and controls the driving power of the motor and the engine by calculating the cruise control requirements so that both speed become equivalent.

#### 3. COAST CONTROL

If the SET/COAST switch is continued to be ON during the running with the cruise control, the device recognizes the cruise control requirement is at 0 and decelerates the vehicle's speed. Then the device memorizes the speed when the switch is off in order to control the fixed speed.

In each time you operate SET/COAST switch momentarily (For about 0.5 second), the memorized speed is decreased in about 1.5 km/h. However, in case of the tap-down operation with more than 5-km/h gap between the memorized speed and vehicle's running speed, the device memorizes the vehicle's speed when the switch is off and controls the fixed speed.

#### 4. ACCEL CONTROL

If the RESUME/ACCEL switch is continued to be ON during the running with the cruise control, the device recognizes the cruise control is on the acceleration side and accelerates the vehicle's speed. Then the running speed when the switch is off is memorized to control the fixed speed.

In each time you operate RESUME/ACCEL switch momentarily (For about 0.5 second), the memorized speed is increased in about 1.5 km/h. However, if there is more than 5-km/h gap between the memorized speed and vehicle's running speed, this operation does not change the memorized speed. (Tap-up operation is not available.)

#### 5. RESUME CONTROL

If the running speed is faster than the low speed limit after the cruise control is canceled manually, the fixed speed is controlled by the OFF-ON operation of RESUME/ACCEL switch, so that the vehicle's speed returns to the memorized speed at the time the cruise control is released.

## 6. MANUAL CANCEL CONTROL

When each of the following signals is input during driving with cruise control, the cruise control is released with turning the cruise control requirement to 0. (The memorized speed is maintained when following signals except the signal, main switch OFF is input.)

- \* Stop light switch ON (Pressing the brake pedal)
- \* Control switch's cancel switch ON
- \* Main switch OFF

## 7. AUTO CANCEL FUNCTION

A) The memorized speed is erased and the control is canceled if the following conditions occur. The power indicator blinks at that time until the main switch is turned ON. The speed control is unavailable unless the main switch is turned ON again.

- \* When the stop light switch breaks or short-circuits.
- \* When sudden change of the running speed signal occur.

B) The memorized speed is erased and the control is canceled if the following conditions occur.

- \* When the malfunction of the stop light switch input circuit occurs.
- \* When the running speed becomes slower than 40km/h.
- \* When the running speed becomes slower than the speed that 16 km/h subtracted from the memorized speed.

## 8. REGENERATIVE SYSTEM OPERATION

This system operates the motor as a generator to change the kinetic energy of the vehicle into the electricity when accel pedal release or foot braking controls the vehicle, and store the electricity in the battery.

### SERVICE HINTS

#### C14 CRUISE CONTROL SW [COMB. SW]

- 5-4 : Approx. **1540** Ω with CANCEL SW on
- Approx. **240** Ω with RES/ACC SW on
- Approx. **630** Ω with SET/COAST SW on

### ○ : PARTS LOCATION

Code	See Page	Code	See Page	Code	See Page
A7	36	G1	37	J18	A 37
A13	36	H10	C 37	J19	B 37
A18	36	H11	A 37	J21	37
B8	36	H12	B 37	J22	A 37
B11	36	H13	E 37	J23	B 37
B15	38	H14	D 37	J24	A 37
B16	38	H16	A 38	J25	B 37
B17	A 38	H17	B 38	J26	37
B18	B 38	I9	D 35	J27	A 37
B19	38	I10	C 35	J28	B 37
B22	38	I11	A 35	J32	A 38
C3	34	I12	B 35	J33	B 38
C4	A 34	I13	E 35	M2	A 35
C5	B 34	I14	F 35	M3	B 35
C10	A 36	I15	37	M4	C 35
C11	B 36	I17	38	P1	37
C14	36	J1	37	S3	37
D2	36	J2	A 37	S8	A 39
E9	C 36	J3	B 37	S9	B 39
E10	D 36	J7	37	S10	C 39
F10	34	J8	A 37	S11	D 39
F12	D 34	J9	B 37	S12	E 39
F13	C 34	J11	37	T4	37
F17	38	J16	37	W3	35
F18	38	J17	37		

# TOYOTA HYBRID SYSTEM

## : RELAY BLOCKS

Code	See Page	Relay Blocks (Relay Block Location)
2	23	Engine Room R/B No.2 (Right Side of Reserve Tank)

## : JUNCTION BLOCK AND WIRE HARNESS CONNECTOR

Code	See Page	Junction Block and Wire Harness (Connector Location)
1A	27	Engine Wire and Engine Room J/B (Engine Compartment Left)
1B	27	Engine Room Main Wire and Engine Room J/B (Engine Compartment Left)
1F		
1J		
1K		
2A	30	Instrument Panel Wire and Instrument Panel J/B (Cowl Side Panel LH)
2B		
2C		
2D		
2G	31	Engine Room Main Wire and Instrument Panel J/B (Cowl Side Panel LH)
2K	31	Cowl Wire and Instrument Panel J/B (Cowl Side Panel LH)

## : CONNECTOR JOINING WIRE HARNESS AND WIRE HARNESS

Code	See Page	Joining Wire Harness and Wire Harness (Connector Location)
IA1	42	Engine Room Main Wire and Cowl Wire (Cowl Side Panel LH)
IA2		
IB1	42	Floor Wire and Cowl Wire (Cowl Side Panel LH)
ID1	42	Instrument Panel Wire and Cowl Wire (Left Kick Panel)
IE1	42	Instrument Panel Wire and Engine Room Main Wire (Left Kick Panel)
IF1	42	Instrument Panel Wire and Floor Wire (Left Kick Panel)
IF2		
IH1	42	Floor Wire and Engine Room Main Wire (Left Kick Panel)
IK1	44	Engine Wire and Engine Room Main Wire (Right Kick Panel)

## : GROUND POINTS

Code	See Page	Ground Points Location
EC	40	Engine Compartment Left
ID	42	Cowl Side Panel LH
IE		
IG	42	Cowl Side Panel RH
IH	42	Right Kick Panel
BI	46	Left Side of Rear Pillar
BJ	46	Right Side of Rear Pillar

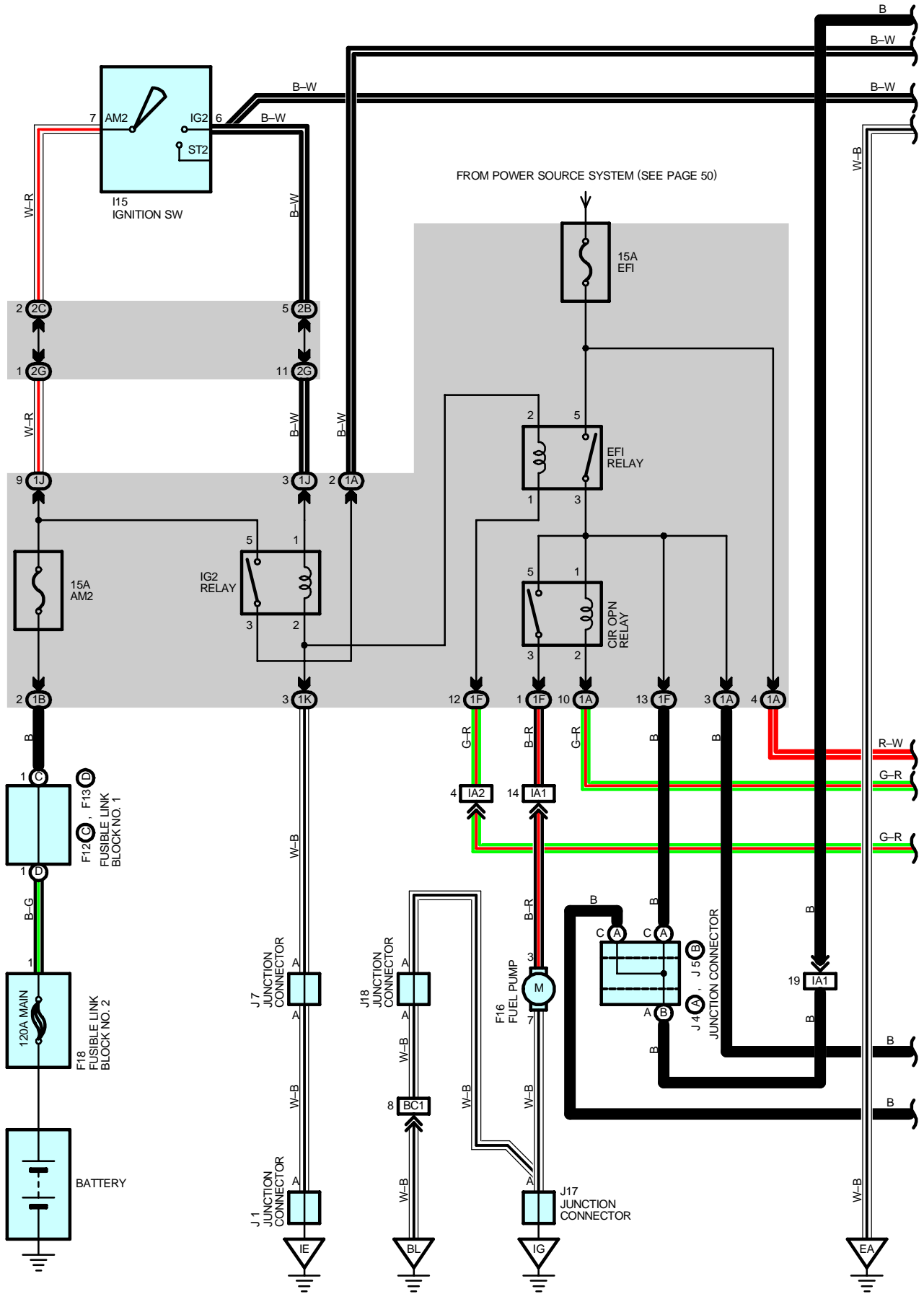
## : SPLICE POINTS

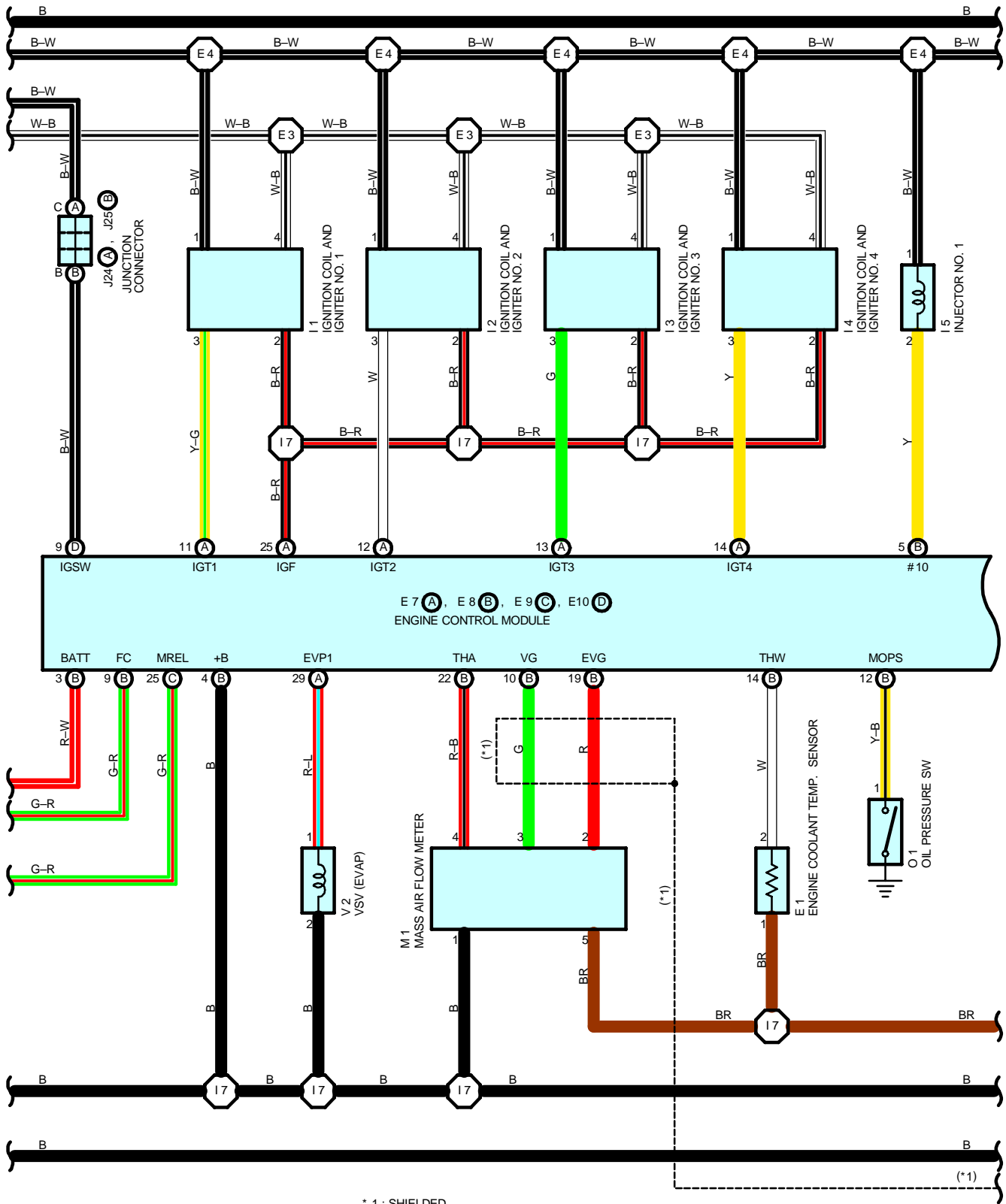
Code	See Page	Wire Harness with Splice Points	Code	See Page	Wire Harness with Splice Points
E5	40	Engine Room Main Wire	I8	44	Engine Wire
I2	44	Instrument Panel Wire	I9	44	Engine Room Main Wire
I4	44	Cowl Wire	B2	46	Floor Wire



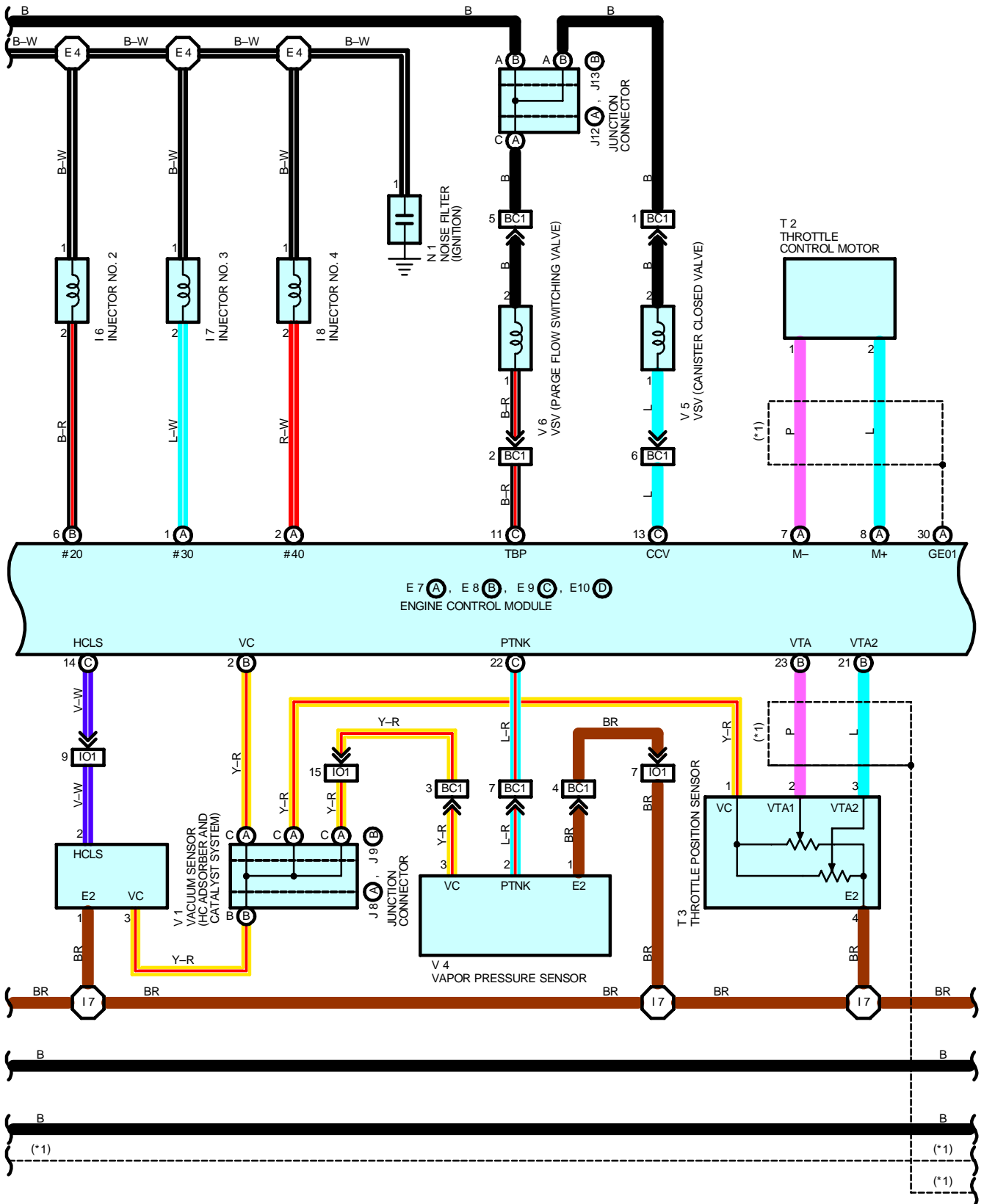


# ENGINE CONTROL



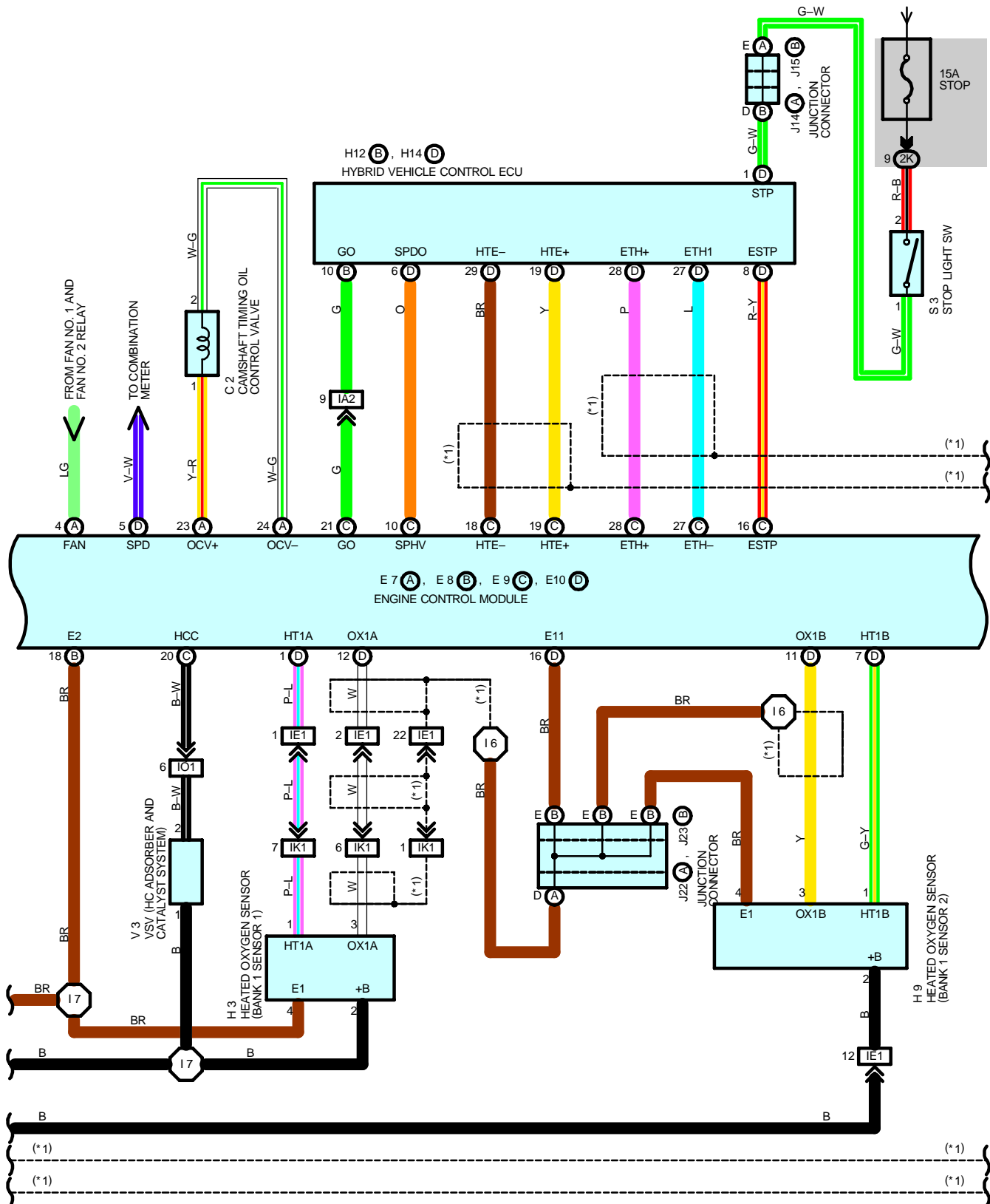


# ENGINE CONTROL



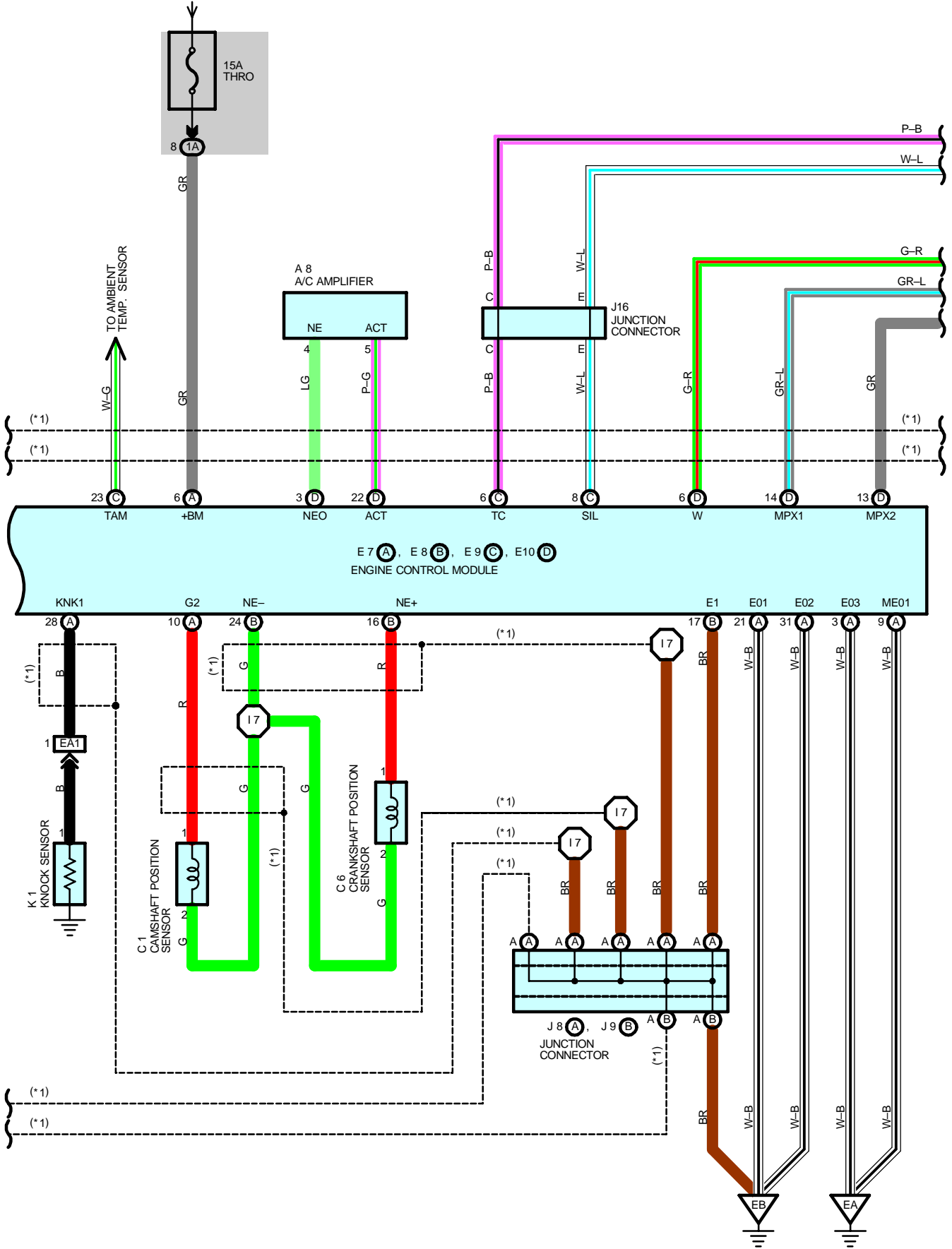
\* 1 : SHIELDED

FROM POWER SOURCE SYSTEM (SEE PAGE 50)



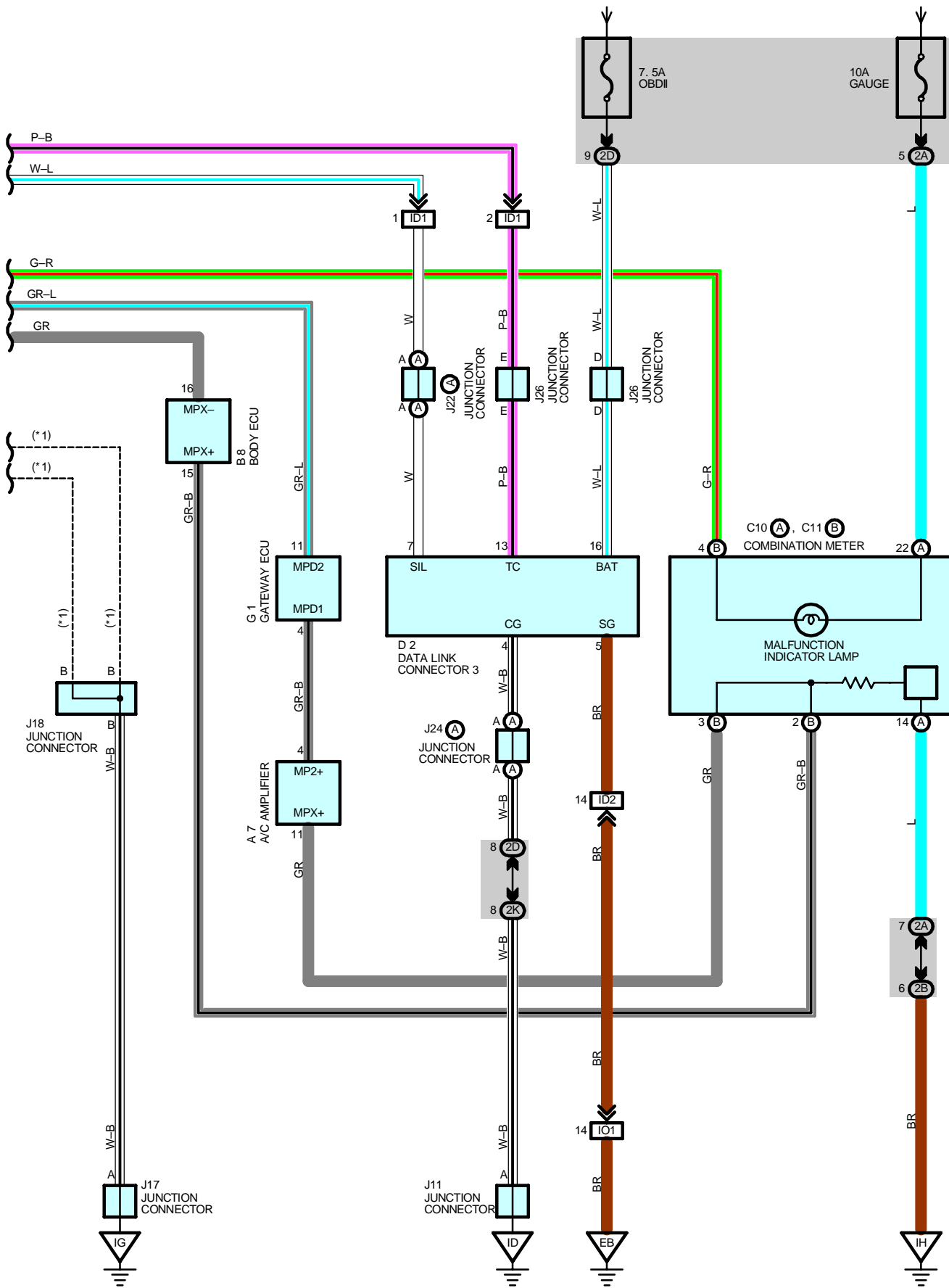
# ENGINE CONTROL

FROM POWER SOURCE SYSTEM (SEE PAGE 50)



\* 1 : SHIELDED

FROM POWER SOURCE SYSTEM (SEE PAGE 50)



# ENGINE CONTROL

## SYSTEM OUTLINE

This system utilizes an engine control module and maintains overall control of the engine, transmission and so on. An outline of the engine control is explained here.

### 1. INPUT SIGNALS

#### (1) Engine coolant temp. signal circuit

The engine coolant temp. sensor detects the engine coolant temp. and has a built-in thermistor with a resistance which varies according to the engine coolant temp. thus the engine coolant temp. is input in the form of a control signal into TERMINAL THW of the engine control module.

#### (2) Intake air temp. signal circuit

The intake air temp. sensor is installed in the mass air flow meter and detects the intake air temp., which is input as a control signal into TERMINAL THA of the engine control module.

#### (3) Oxygen sensor signal circuit

The oxygen density in the exhaust gases is detected and input as a control signal into TERMINALS OX1A and OX1B of the engine control module.

#### (4) RPM signal circuit

Camshaft position and crankshaft position are detected by the camshaft position sensor and crankshaft position sensor. Camshaft position is input as a control signal to TERMINAL G2 of the engine control module, and engine RPM is input into TERMINAL NE+.

#### (5) Throttle signal circuit

The throttle position sensor detects the throttle valve opening angle, which is input as a control signal into TERMINALS VTA and VTA2 of the engine control module.

#### (6) Vehicle speed signal circuit

The vehicle speed signal from combination meter, detects the vehicle speed and inputs a control signal into TERMINAL SPD of the engine control module via the combination meter.

#### (7) Battery signal circuit

Voltage is constantly applied to TERMINAL BATT of the engine control module. When the ignition SW is turned on, the voltage for engine control module start-up power supply is applied to TERMINAL +B of the engine control module via EFI relay.

#### (8) Engine knock signal circuit

Engine knocking is detected by knock sensor and the signal is input into TERMINAL KNK1 of the engine control module as a control signal.

### 2. CONTROL SYSTEM

#### \* SFI system

The SFI system monitors the engine condition through the signals, which are input from each sensor to the engine control module. The best fuel injection volume is decided based on this data and the program memorized by the engine control module, and the control signal is output to TERMINALS #10, #20, #30 and #40 of the engine control module to operate the injector. (Inject the fuel). The SFI system produces control of fuel injection operation by the engine control module in response to the driving conditions.

#### \* ESA system

The ESA system monitors the engine condition through the signals, which are input to the engine control module from each sensor. The best ignition timing is detected according to this data and the memorized data in the engine control module, and the control signal is output to TERMINALS IGT1, IGT2, IGT3 and IGT4. This signal controls the ignition coil and igniter to provide the best ignition timing for the driving conditions.

#### \* Fuel pump control system

The engine control module operation outputs to TERMINAL FC and controls the CIR OPN relay. Thus controls the fuel pump drive speed in response to conditions.

### 3. DIAGNOSIS SYSTEM

With the diagnosis system, when there is a malfunctioning in the engine control module signal system, the malfunction system is recorded in the memory. The malfunctioning system can then be found by reading the display (Code) of the malfunction indicator lamp.

### 4. FAIL-SAFE SYSTEM

When a malfunction occurs in any system, if there is a possibility of engine trouble being caused by continued control based on the signals from that system, the fail-safe system either controls the system by using data (Standard values) recorded in the engine control module memory or else stops the engine.



## SERVICE HINTS

### E7 (A), E8 (B), E9 (C), E10 (D) ENGINE CONTROL MODULE

BATT-E1 : Always approx. 9–14 volts  
 +B-E1 : 9–14 volts with the ignition SW on and the engine stopping  
 VC-E2 : 4.5–5.5 volts with the ignition SW on and the engine stopping  
 IGF-E1 : Pulse generation with the engine idling  
 THA-E2 : 0.5–3.4 volts with the engine idling and the intake air temp. 20 °C (68 °F)  
 THW-E2 : 0.2–1.0 volts with the engine idling and the engine coolant temp. 80 °C (176 °F)  
 W-E1 : 9–14 volts with the engine idling  
           : 0–3 volts with the ignition SW on and the engine coolant temp. sensor connector disconnects  
 ESTP-E1 : 9–14 volts with the brake pedal depressed  
 FC-E01 : 9–14 volts with the ignition SW on and the engine stopping  
           : 0–3 volts with the engine idling  
 +BM-E1 : Always approx. 9–14 volts  
 MREL-E1 : 9–14 volts with the ignition SW on and the engine stopping  
 EVP1-E1 : 9–14 volts with the ignition SW on and the engine stopping  
 HT1A, HT1B : 9–14 volts with the ignition SW on and the engine stopping  
 TC-E1 : 9–14 volts with the ignition SW on and the engine stopping  
 KNK1-E2 : Pulse generation with the engine idling  
 NE+, G2-NE- : Pulse generation with the engine idling  
 OCV+ -OCV- : Pulse generation with the ignition SW on and the engine stopping  
 IGT1, IGT2, IGT3, IGT4-E1 : Pulse generation with the engine idling  
 #10, #20, #30, #40-E01 : Pulse generation with the engine idling  
 E01, E02, E03, E1, E2, ME01-GROUND : Always continuity

### E1 ENGINE COOLANT TEMP. SENSOR

2-1 : Approx. 14.96 kΩ (-20 °C, -4 °F)  
       Approx. 2.44 kΩ (20 °C, 68 °F)  
       Approx. 0.31 kΩ (80 °C, 176 °F)  
       Approx. 0.14 kΩ (110 °C, 230 °F)

## ○ : PARTS LOCATION

Code	See Page	Code	See Page	Code	See Page
A7	36	H14   D	37	J17	37
A8	36	I1	35	J18	37
B8	36	I2	35	J22   A	37
C1	34	I3	35	J23   B	37
C2	34	I4	35	J24   A	37
C6	34	I5	35	J25   B	37
C10   A	36	I6	35	J26	37
C11   B	36	I7	35	K1	35
D2	36	I8	35	M1	35
E1	34	I15	37	N1	35
E7   A	36	J1	37	O1	35
E8   B	36	J4   A	37	S3	37
E9   C	36	J5   B	37	T2	35
E10   D	36	J7	37	T3	35
F12   C	34	J8   A	37	V1	35
F13   D	34	J9   B	37	V2	35
F16	38	J11	37	V3	35
F18	38	J12   A	37	V4	39
G1	37	J13   B	37	V5	39
H3	34	J14   A	37	V6	39
H9	37	J15   B	37		
H12   B	37	J16	37		

# ENGINE CONTROL

## : JUNCTION BLOCK AND WIRE HARNESS CONNECTOR

Code	See Page	Junction Block and Wire Harness (Connector Location)
1A	27	Engine Wire and Engine Room J/B (Engine Compartment Left)
1B	27	Engine Room Main Wire and Engine Room J/B (Engine Compartment Left)
1F		
1J		
1K		
2A	30	Instrument Panel Wire and Instrument Panel J/B (Cowl Side Panel LH)
2B		
2C		
2D		
2G	31	Engine Room Main Wire and Instrument Panel J/B (Cowl Side Panel LH)
2K	31	Cowl Wire and Instrument Panel J/B (Cowl Side Panel LH)

## : CONNECTOR JOINING WIRE HARNESS AND WIRE HARNESS

Code	See Page	Joining Wire Harness and Wire Harness (Connector Location)
EA1	40	Engine Wire and Engine No.4 Wire (Near the Radiator Fan)
IA1	42	Engine Room Main Wire and Cowl Wire (Cowl Side Panel LH)
IA2		
ID1	42	Instrument Panel Wire and Cowl Wire (Left Kick Panel)
ID2		
IE1	42	Instrument Panel Wire and Engine Room Main Wire (Left Kick Panel)
IK1	44	Engine Wire and Engine Room Main Wire (Right Kick Panel)
IO1	44	Engine Wire and Cowl Wire (Right Kick Panel)
BC1	46	Cowl Wire and Fuel Tank Wire (Near the Fuel Tank)

## : GROUND POINTS

Code	See Page	Ground Points Location
EA	40	Engine Block
EB		
ID	42	Cowl Side Panel LH
IE		
IG		
IH	42	Right Kick Panel
BL	46	Near the Fuel Tank

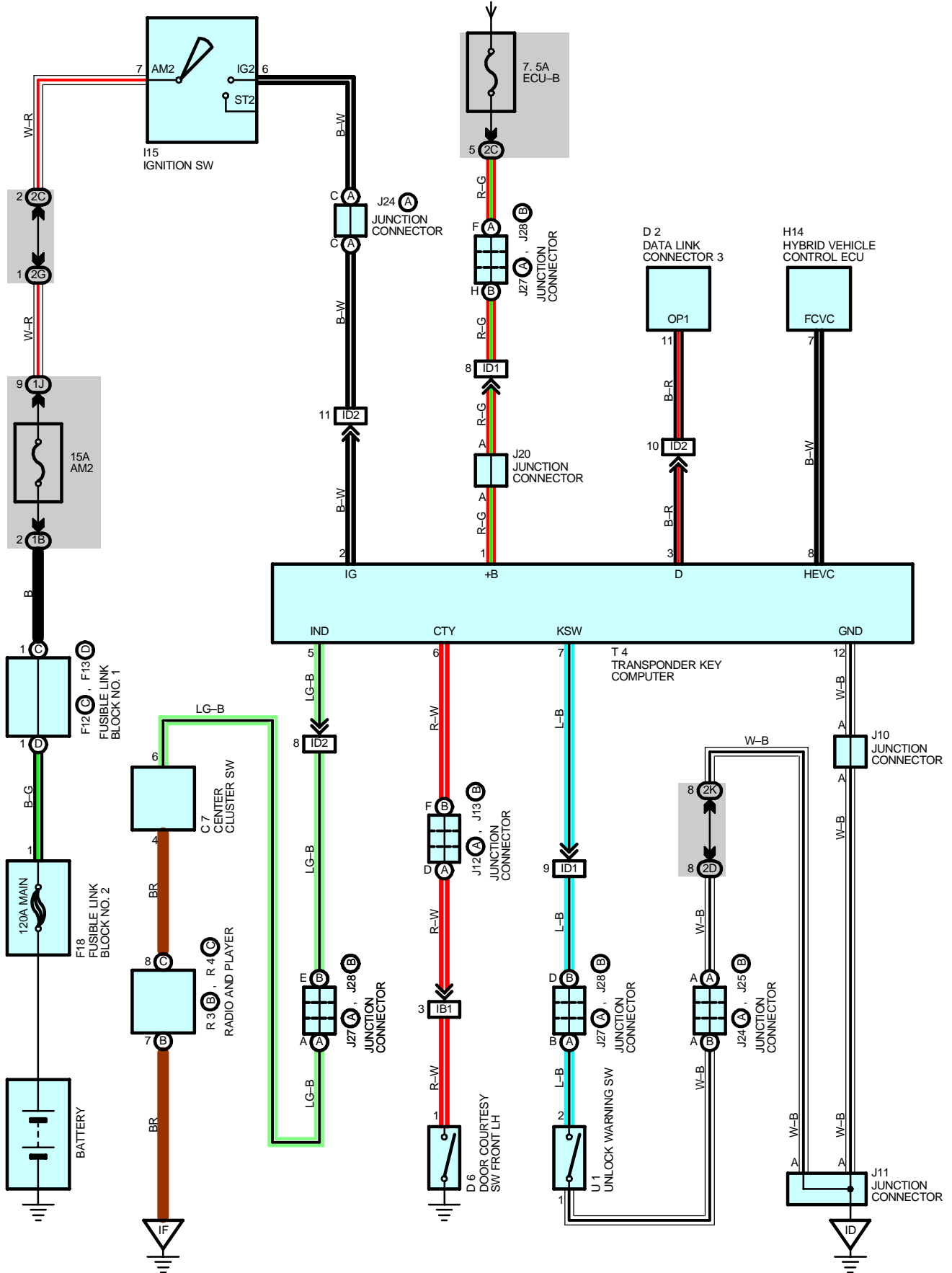
## : SPLICE POINTS

Code	See Page	Wire Harness with Splice Points	Code	See Page	Wire Harness with Splice Points
E3	40	Engine Wire	I6	44	Instrument Panel Wire
E4			I7	44	Engine Wire



# HYBRID VEHICLE IMMOBILISER SYSTEM

FROM POWER SOURCE SYSTEM (SEE PAGE 50)



**SERVICE HINTS****T4 TRANSPONDER KEY COMPUTER**

1-GROUND : Always approx. 12 volts

12-GROUND : Always continuity

**U1 UNLOCK WARNING SW**

1-2 : Closed with the ignition key in cylinder

 : PARTS LOCATION

Code	See Page	Code	See Page	Code	See Page
C7	36	I15	37	J25	B 37
D2	36	J10	37	J27	A 37
D6	38	J11	37	J28	B 37
F12	C 34	J12	A 37	R3	B 37
F13	D 34	J13	B 37	R4	C 37
F18	38	J20	37	T4	37
H14	37	J24	A 37	U1	37

 : JUNCTION BLOCK AND WIRE HARNESS CONNECTOR

Code	See Page	Junction Block and Wire Harness (Connector Location)
1B	27	Engine Room Main Wire and Engine Room J/B (Engine Compartment Left)
1J		
2C	30	Instrument Panel Wire and Instrument Panel J/B (Cowl Side Panel LH)
2D		
2G	31	Engine Room Main Wire and Instrument Panel J/B (Cowl Side Panel LH)
2K	31	Cowl Wire and Instrument Panel J/B (Cowl Side Panel LH)

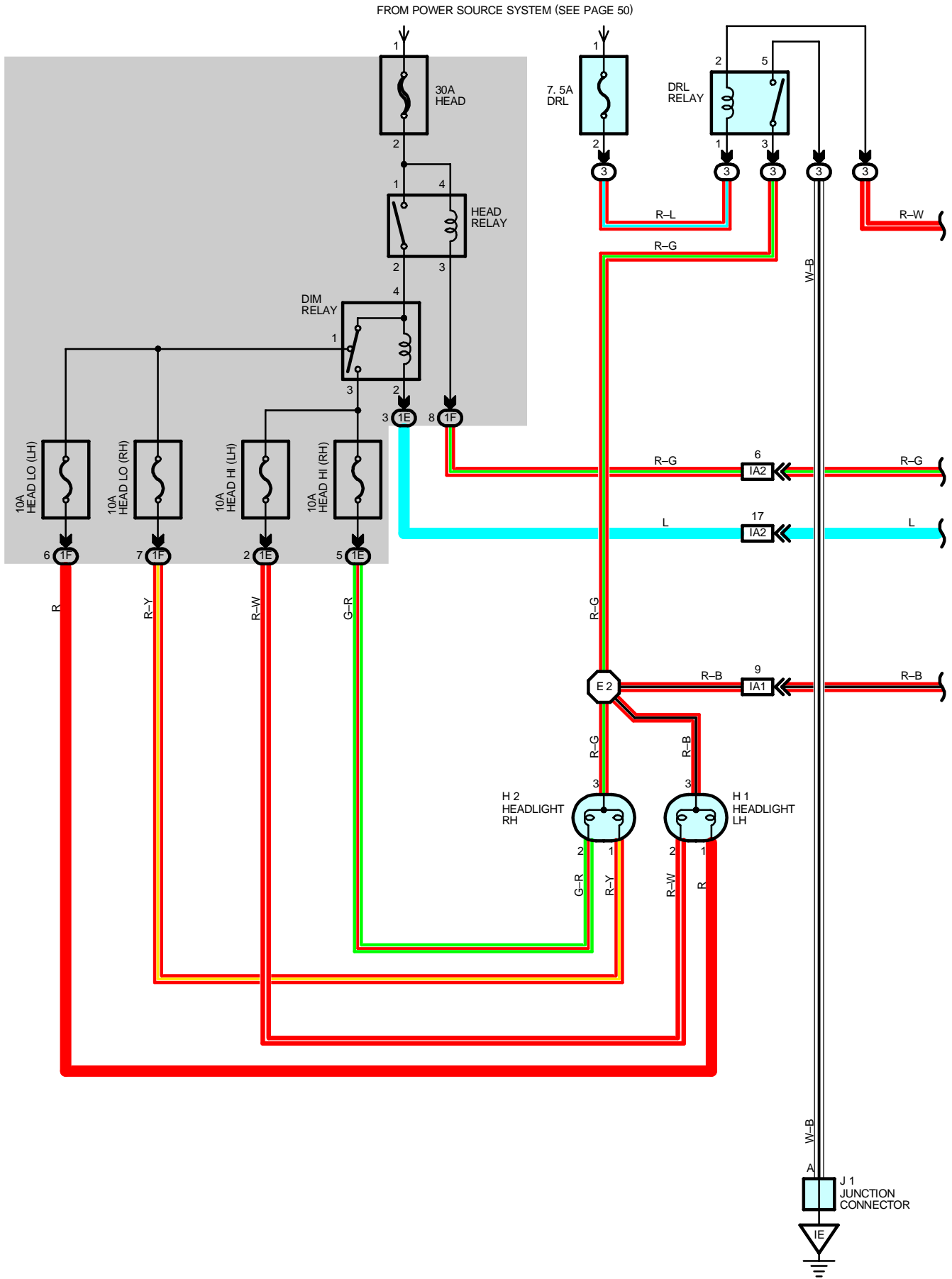
 : CONNECTOR JOINING WIRE HARNESS AND WIRE HARNESS

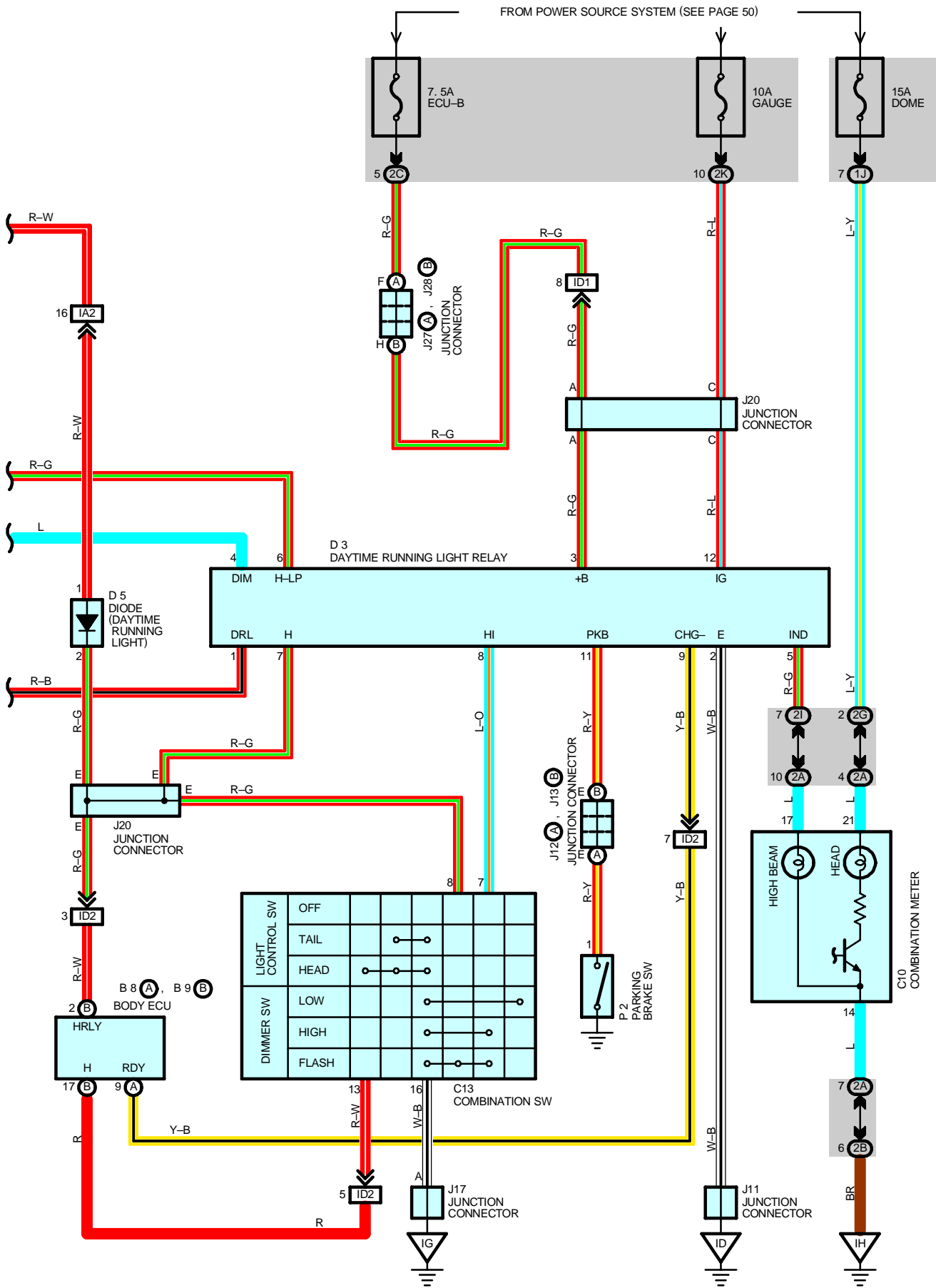
Code	See Page	Joining Wire Harness and Wire Harness (Connector Location)
IB1	42	Floor Wire and Cowl Wire (Cowl Side Panel LH)
ID1		
ID2		Instrument Panel Wire and Cowl Wire (Left Kick Panel)

 : GROUND POINTS

Code	See Page	Ground Points Location
ID	42	Cowl Side Panel LH
IF	42	Left Kick Panel

# HEADLIGHT (w/ DAYTIME RUNNING LIGHT)





# HEADLIGHT (w/ DAYTIME RUNNING LIGHT)

## SYSTEM OUTLINE

When the ignition SW is turned on ST position and "READY" signal from engine control module is sent to the daytime running light relay via body ECU. If the parking brake pedal is depressed (Parking brake SW is on) at that time, the daytime running light system does not operate. If the parking brake pedal is released (Parking brake SW is off), the daytime running light system operates and the low beam headlight comes on.

## SERVICE HINTS

### HEAD RELAY

- 1-2 : Closed with the light control SW at **HEAD** position or the dimmer SW at **FLASH** position
- Closed with the engine running and the parking brake lever is released (Parking brake SW off)

### D3 DAYTIME RUNNING LIGHT RELAY

- 12-GROUND : Approx. **12** volts with the ignition SW at **ON** position
- 3-GROUND : Always approx. **12** volts
- 11-GROUND : Continuity with the parking brake lever pulled up
- 2-GROUND : Always continuity
- 8-GROUND : Continuity with the dimmer SW at **HIGH** or **FLASH** position

## ○ : PARTS LOCATION

Code	See Page	Code	See Page	Code	See Page	
B8	A	36	H1	34	J17	37
B9	B	36	H2	34	J20	37
C10	36	J1	37	J27	A	37
C13	36	J11	37	J28	B	37
D3	36	J12	A	37	P2	37
D5	36	J13	B	37		

## ○ : RELAY BLOCKS

Code	See Page	Relay Blocks (Relay Block Location)
3	24	Engine Room R/B No.3 (Engine Compartment Right)

## ○ : JUNCTION BLOCK AND WIRE HARNESS CONNECTOR

Code	See Page	Junction Block and Wire Harness (Connector Location)
1E	27	Engine Room Main Wire and Engine Room J/B (Engine Compartment Left)
1F		
1J		
2A	30	Instrument Panel Wire and Instrument Panel J/B (Cowl Side Panel LH)
2B		
2C		
2G	31	Engine Room Main Wire and Instrument Panel J/B (Cowl Side Panel LH)
2I	31	Cowl Wire and Instrument Panel J/B (Cowl Side Panel LH)
2K		

## □ : CONNECTOR JOINING WIRE HARNESS AND WIRE HARNESS

Code	See Page	Joining Wire Harness and Wire Harness (Connector Location)
IA1	42	Engine Room Main Wire and Cowl Wire (Cowl Side Panel LH)
IA2		
ID1	42	Instrument Panel Wire and Cowl Wire (Left Kick Panel)
ID2		

## ▽ : GROUND POINTS

Code	See Page	Ground Points Location
ID	42	Cowl Side Panel LH
IE		
IG	42	Cowl Side Panel RH
IH	42	Right Kick Panel

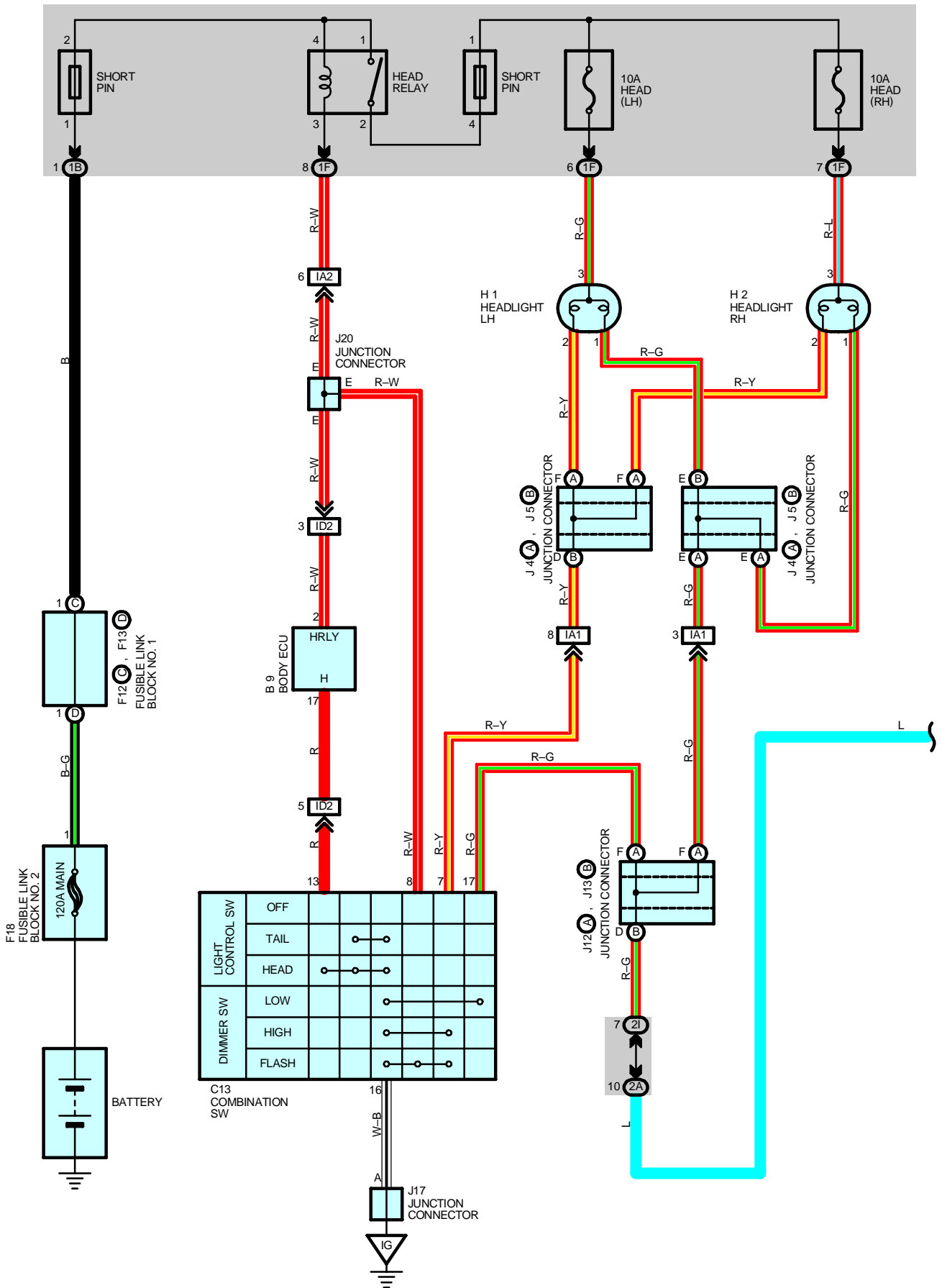




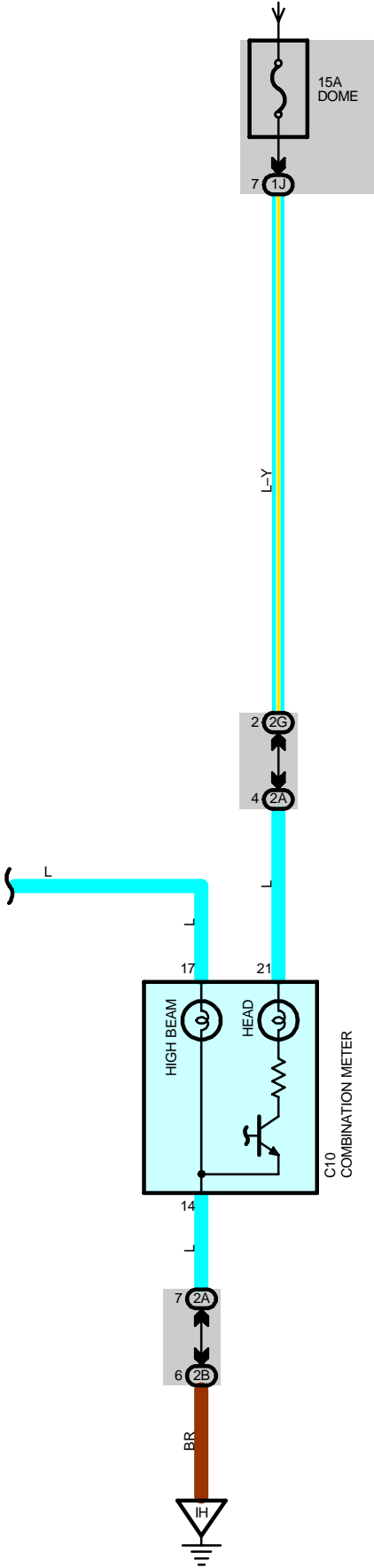
**: SPLICE POINTS**

Code	See Page	Wire Harness with Splice Points	Code	See Page	Wire Harness with Splice Points
E2	<a href="#">40</a>	Engine Room Main Wire			

# HEADLIGHT (w/o DAYTIME RUNNING LIGHT)



FROM POWER SOURCE SYSTEM (SEE PAGE 50)



# HEADLIGHT (w/o DAYTIME RUNNING LIGHT)

## SERVICE HINTS

### HEAD RELAY

1-2 : Closed with the light control SW at **HEAD** position or the dimmer SW at **FLASH** position

### C13 COMBINATION SW

13-16 : Continuity with the light control SW at **HEAD** position

8-16 : Continuity with the dimmer SW at **FLASH** position

7-16 : Continuity with the dimmer SW at **HIGH** or **FLASH** position

## ○ : PARTS LOCATION

Code	See Page	Code	See Page	Code	See Page
B9	36	F18	38	J12   A	37
C10	36	H1	34	J13   B	37
C13	36	H2	34	J17	37
F12   C	34	J4   A	37	J20	37
F13   D	34	J5   B	37		

## ○ : JUNCTION BLOCK AND WIRE HARNESS CONNECTOR

Code	See Page	Junction Block and Wire Harness (Connector Location)
1B	27	Engine Room Main Wire and Engine Room J/B (Engine Compartment Left)
1F		
1J		
2A	30	Instrument Panel Wire and Instrument Panel J/B (Cowl Side Panel LH)
2B		
2G	31	Engine Room Main Wire and Instrument Panel J/B (Cowl Side Panel LH)
2I	31	Cowl Wire and Instrument Panel J/B (Cowl Side Panel LH)

## □ : CONNECTOR JOINING WIRE HARNESS AND WIRE HARNESS

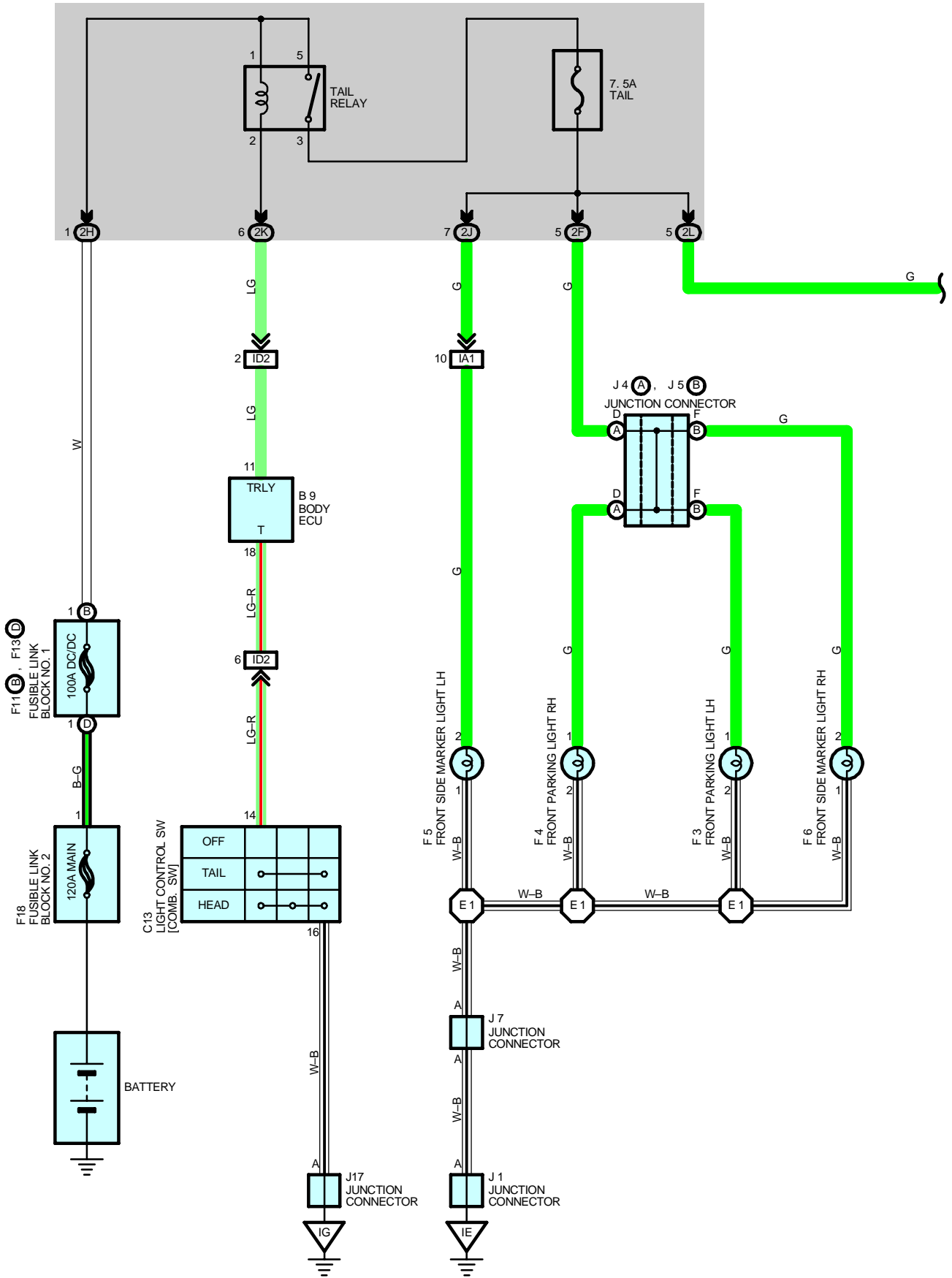
Code	See Page	Joining Wire Harness and Wire Harness (Connector Location)
IA1	42	Engine Room Main Wire and Cowl Wire (Cowl Side Panel LH)
IA2		
ID2	42	Instrument Panel Wire and Cowl Wire (Left Kick Panel)

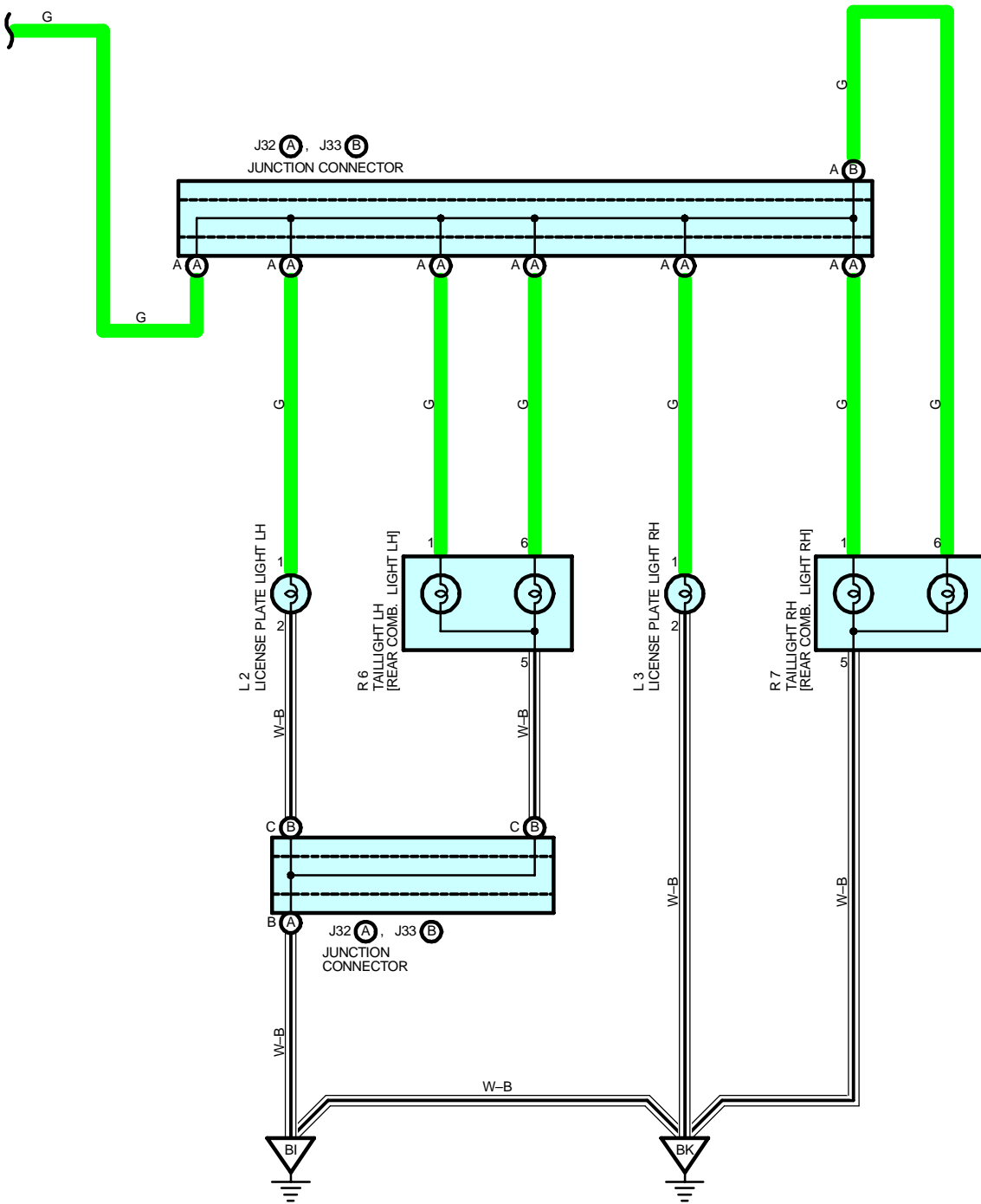
## ▽ : GROUND POINTS

Code	See Page	Ground Points Location
IG	42	Cowl Side Panel RH
IH	42	Right Kick Panel



# TAILLIGHT





2002 PRIUS (EWD464U)

# TAILLIGHT

## SERVICE HINTS

### TAIL RELAY

5-3 : Closed with the light control SW at **TAIL** or **HEAD** position

## ○ : PARTS LOCATION

Code	See Page	Code	See Page	Code	See Page
B9	36	F13   D	34	J32   A	38
C13	36	F18	38	J33   B	38
F3	34	J1	37	L2	38
F4	34	J4   A	37	L3	38
F5	34	J5   B	37	R6	39
F6	34	J7	37	R7	39
F11   B	34	J17	37		

## ○ : JUNCTION BLOCK AND WIRE HARNESS CONNECTOR

Code	See Page	Junction Block and Wire Harness (Connector Location)
2F 2H	31	Engine Room Main Wire and Instrument Panel J/B (Cowl Side Panel LH)
2J 2K	31	Cowl Wire and Instrument Panel J/B (Cowl Side Panel LH)
2L	31	Floor Wire and Instrument Panel J/B (Cowl Side Panel LH)

## □ : CONNECTOR JOINING WIRE HARNESS AND WIRE HARNESS

Code	See Page	Joining Wire Harness and Wire Harness (Connector Location)
IA1	42	Engine Room Main Wire and Cowl Wire (Cowl Side Panel LH)
ID2	42	Instrument Panel Wire and Cowl Wire (Left Kick Panel)

## ▽ : GROUND POINTS

Code	See Page	Ground Points Location
IE	42	Cowl Side Panel LH
IG	42	Cowl Side Panel RH
BI	46	Left Side of Rear Pillar
BK	46	Back Panel Center

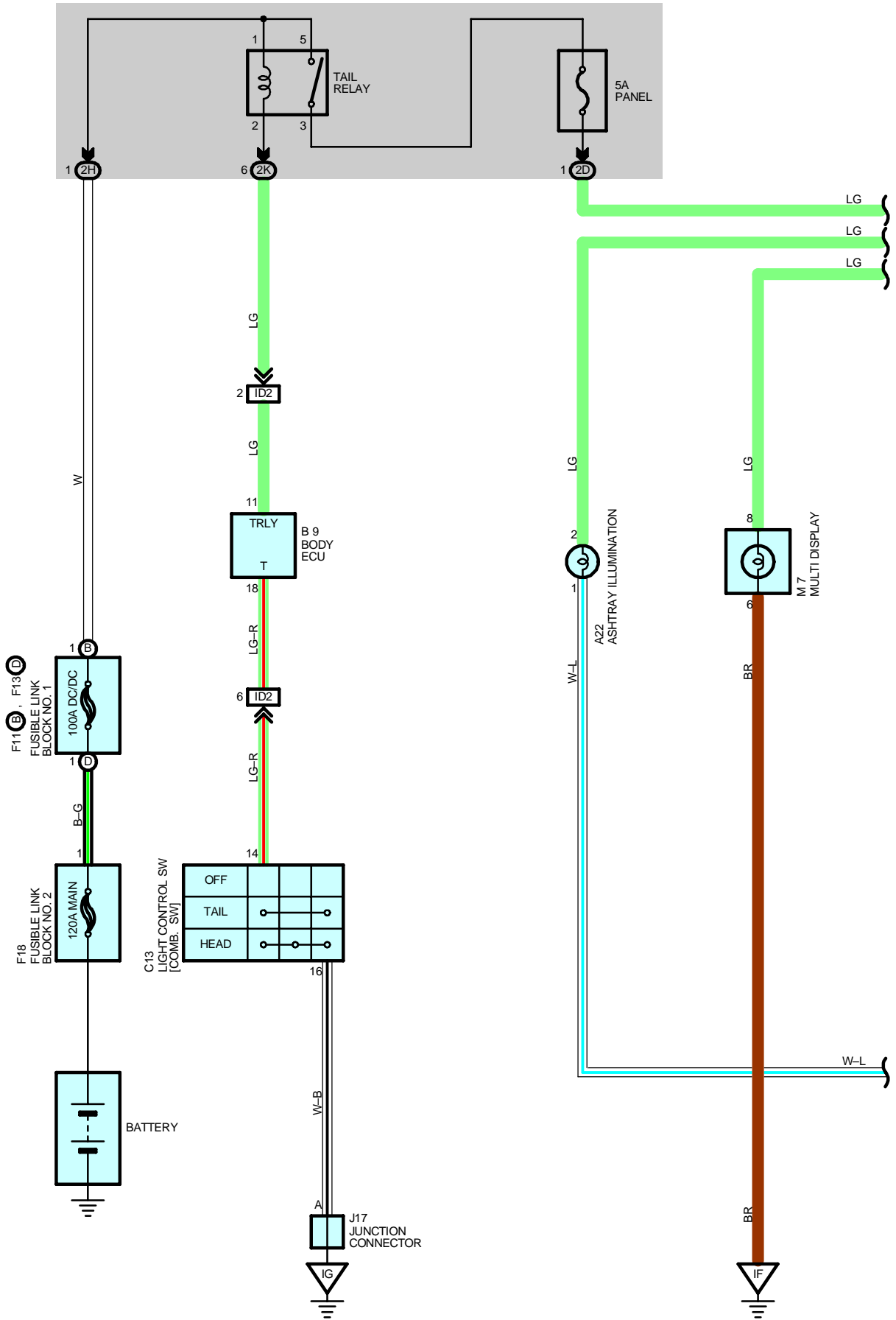
## ○ : SPLICE POINTS

Code	See Page	Wire Harness with Splice Points	Code	See Page	Wire Harness with Splice Points
E1	40	Engine Room Main Wire			

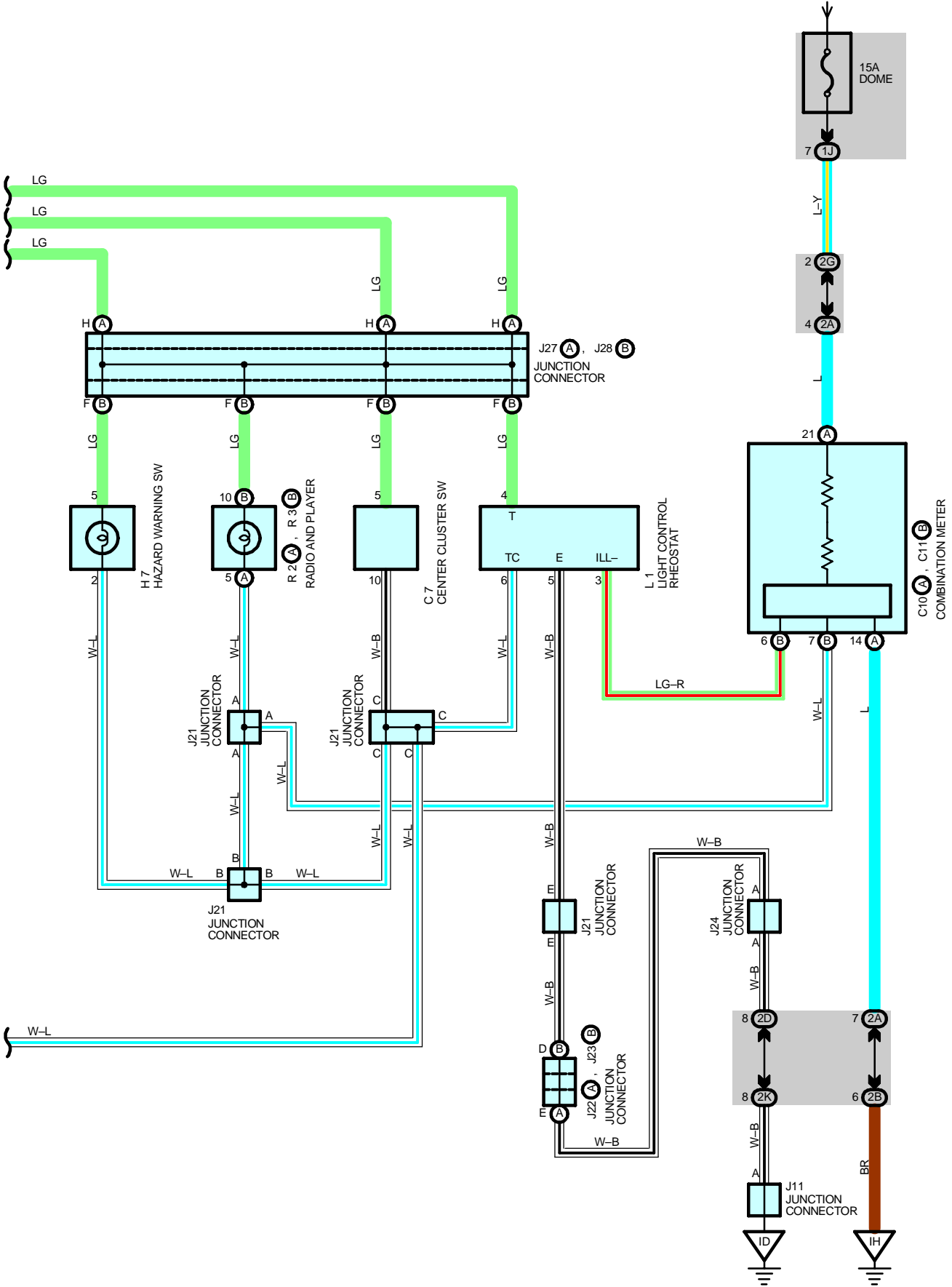




# ILLUMINATION



FROM POWER SOURCE SYSTEM (SEE PAGE 50)



# ILLUMINATION

## SERVICE HINTS

### TAIL RELAY

5-3 : Closed with the light control SW at **TAIL** or **HEAD** position

### C13 COMBINATION SW

14-16 : Closed with the light control SW at **TAIL** or **HEAD** position

## ○ : PARTS LOCATION

Code	See Page	Code	See Page	Code	See Page
A22	36	F18	38	J27   A	37
B9	36	H7	37	J28   B	37
C7	36	J11	37	L1	37
C10   A	36	J17	37	M7	37
C11   B	36	J21	37	R2   A	37
C13	36	J22   A	37	R3   B	37
F11   B	34	J23   B	37		
F13   D	34	J24	37		

## ○ : JUNCTION BLOCK AND WIRE HARNESS CONNECTOR

Code	See Page	Junction Block and Wire Harness (Connector Location)
1J	27	Engine Room Main Wire and Engine Room J/B (Engine Compartment Left)
2A	30	Instrument Panel Wire and Instrument Panel J/B (Cowl Side Panel LH)
2B		
2D		
2G	31	Engine Room Main Wire and Instrument Panel J/B (Cowl Side Panel LH)
2H		
2K	31	Cowl Wire and Instrument Panel J/B (Cowl Side Panel LH)

## □ : CONNECTOR JOINING WIRE HARNESS AND WIRE HARNESS

Code	See Page	Joining Wire Harness and Wire Harness (Connector Location)
ID2	42	Instrument Panel Wire and Cowl Wire (Left Kick Panel)

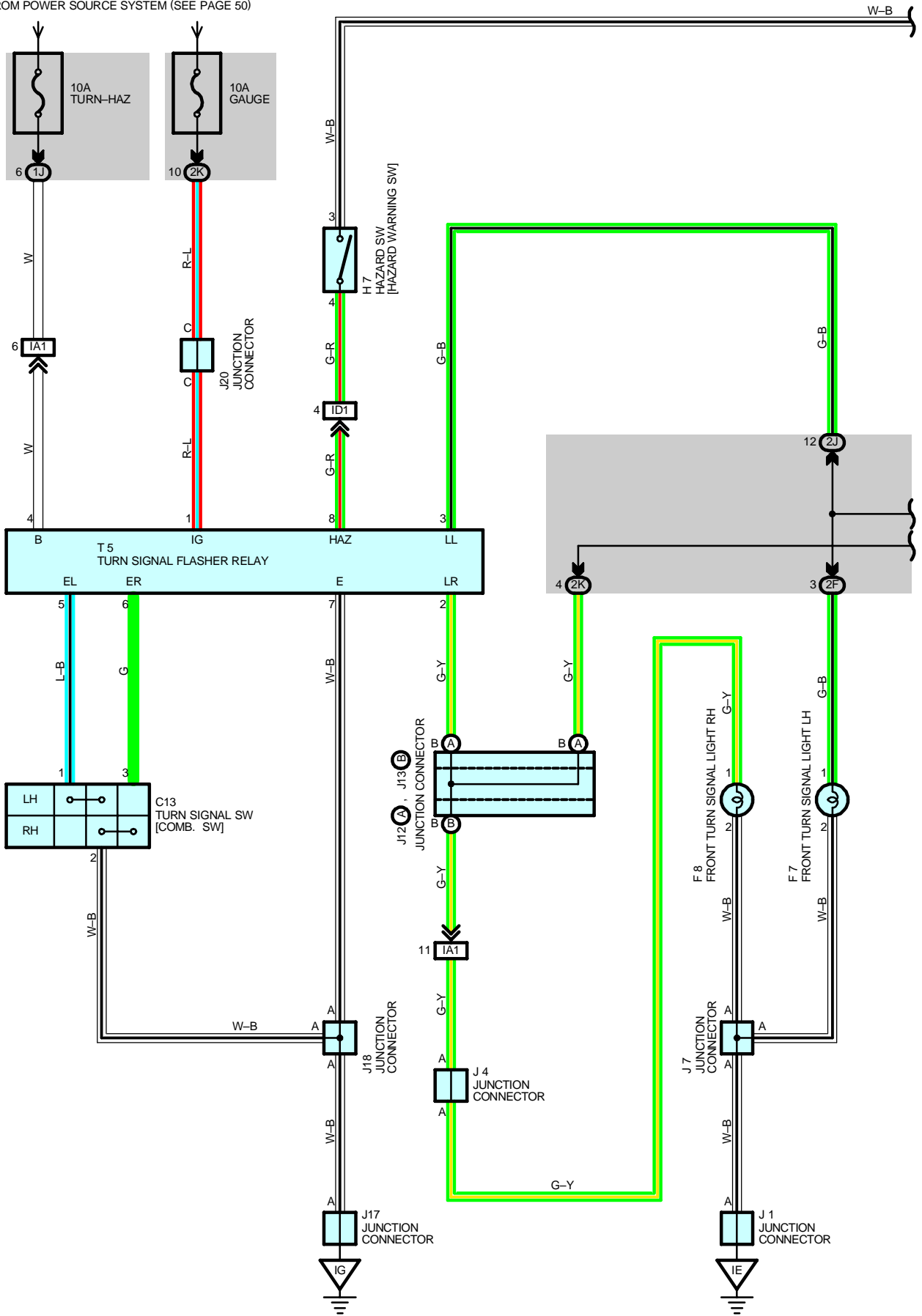
## ▽ : GROUND POINTS

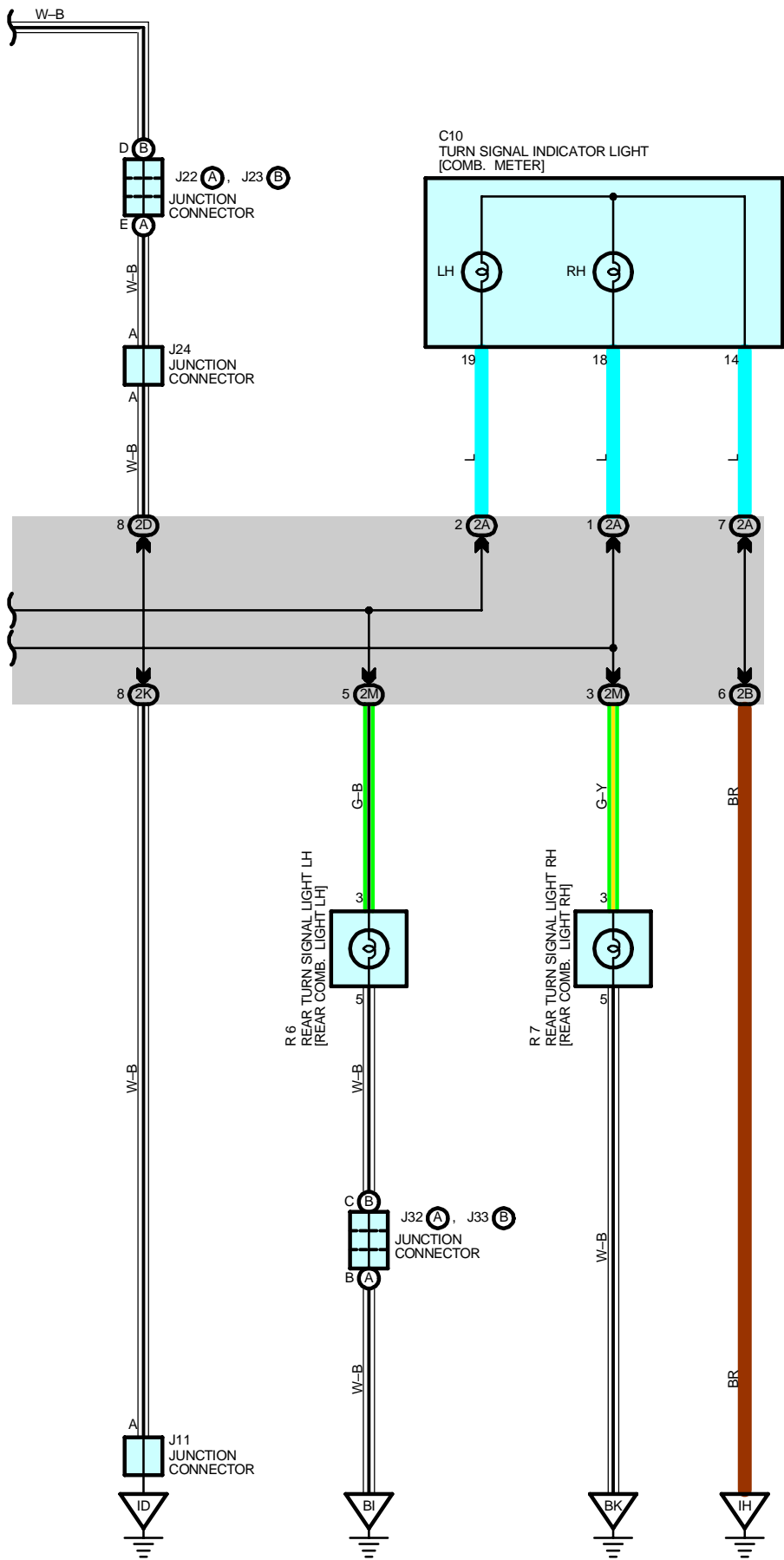
Code	See Page	Ground Points Location
ID	42	Cowl Side Panel LH
IF	42	Left Kick Panel
IG	42	Cowl Side Panel RH
IH	42	Right Kick Panel



# TURN SIGNAL AND HAZARD WARNING LIGHT

FROM POWER SOURCE SYSTEM (SEE PAGE 50)





# TURN SIGNAL AND HAZARD WARNING LIGHT

## SERVICE HINTS

### T5 TURN SIGNAL FLASHER RELAY

- 1-GROUND : Approx. **12** volts with the ignition SW at **ON** position
- 4-GROUND : Always approx. **12** volts
- 2, 3-GROUND : Changes from approx. **12** to **0** volts with the ignition SW at **ON** position and the turn signal SW at **LEFT** or **RIGHT** position or the hazard SW at **ON** position
- 5-GROUND : Continuity with the ignition SW at **ON** position and the turn signal SW at **LEFT** position
- 6-GROUND : Continuity with the ignition SW at **ON** position and the turn signal SW at **RIGHT** position
- 8-GROUND : Continuity with the hazard SW at **ON** position
- 7-GROUND : Always continuity

## ○ : PARTS LOCATION

Code	See Page	Code	See Page	Code	See Page
C10	36	J11	37	J24	37
C13	36	J12	A 37	J32	A 38
F7	34	J13	B 37	J33	B 38
F8	34	J17	37	R6	39
H7	37	J18	37	R7	39
J1	37	J20	37	T5	37
J4	37	J22	A 37		
J7	37	J23	B 37		

## ○ : JUNCTION BLOCK AND WIRE HARNESS CONNECTOR

Code	See Page	Junction Block and Wire Harness (Connector Location)
1J	27	Engine Room Main Wire and Engine Room J/B (Engine Compartment Left)
2A	30	Instrument Panel Wire and Instrument Panel J/B (Cowl Side Panel LH)
2B		
2D		
2F	31	Engine Room Main Wire and Instrument Panel J/B (Cowl Side Panel LH)
2J	31	Cowl Wire and Instrument Panel J/B (Cowl Side Panel LH)
2K		
2M	31	Floor Wire and Instrument Panel J/B (Cowl Side Panel LH)

## □ : CONNECTOR JOINING WIRE HARNESS AND WIRE HARNESS

Code	See Page	Joining Wire Harness and Wire Harness (Connector Location)
IA1	42	Engine Room Main Wire and Cowl Wire (Cowl Side Panel LH)
ID1	42	Instrument Panel Wire and Cowl Wire (Left Kick Panel)

## ▽ : GROUND POINTS

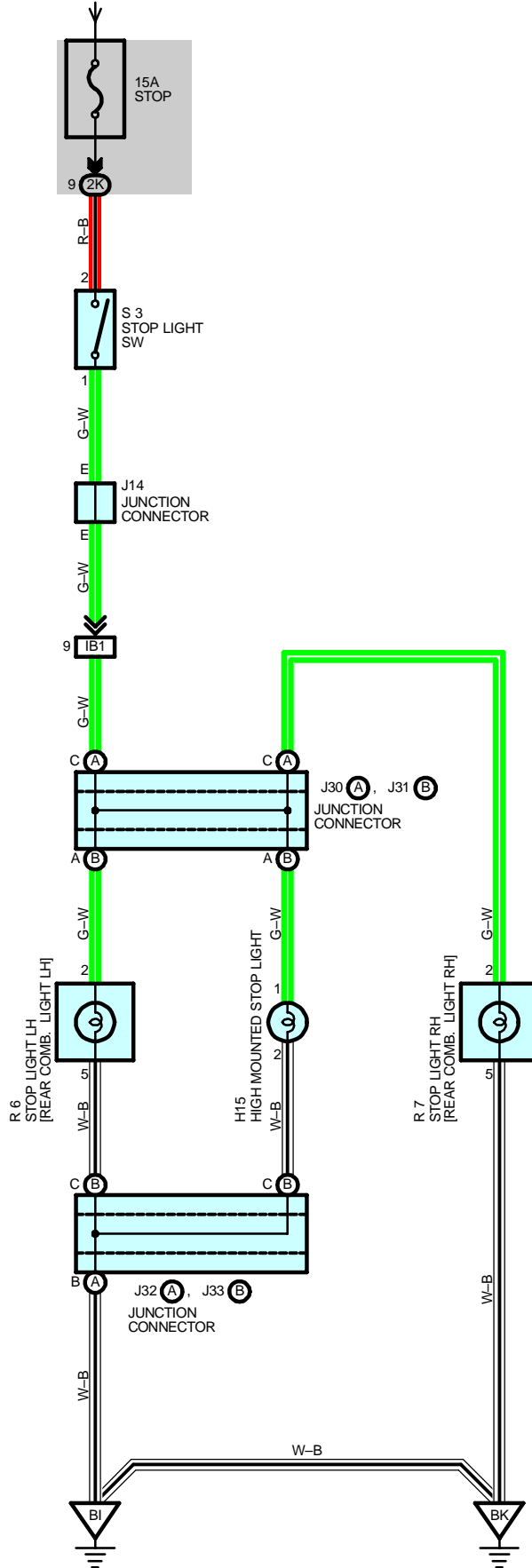
Code	See Page	Ground Points Location
ID	42	Cowl Side Panel LH
IE		
IG	42	Cowl Side Panel RH
IH	42	Right Kick Panel
BI	46	Left Side of Rear Pillar
BK	46	Back Panel Center





# STOP LIGHT

FROM POWER SOURCE SYSTEM (SEE PAGE 50)



---

**SERVICE HINTS****S3 STOP LIGHT SW**

2-1 : Closed with the brake pedal depressed

 **: PARTS LOCATION**

Code	See Page	Code	See Page	Code	See Page		
H15	<a href="#">38</a>	J31	B	<a href="#">38</a>	R6	<a href="#">39</a>	
J14	<a href="#">37</a>	J32	A	<a href="#">38</a>	R7	<a href="#">39</a>	
J30	A	<a href="#">38</a>	J33	B	<a href="#">38</a>	S3	<a href="#">37</a>

 **: JUNCTION BLOCK AND WIRE HARNESS CONNECTOR**

Code	See Page	Junction Block and Wire Harness (Connector Location)
2K	<a href="#">31</a>	Cowl Wire and Instrument Panel J/B (Cowl Side Panel LH)

 **: CONNECTOR JOINING WIRE HARNESS AND WIRE HARNESS**

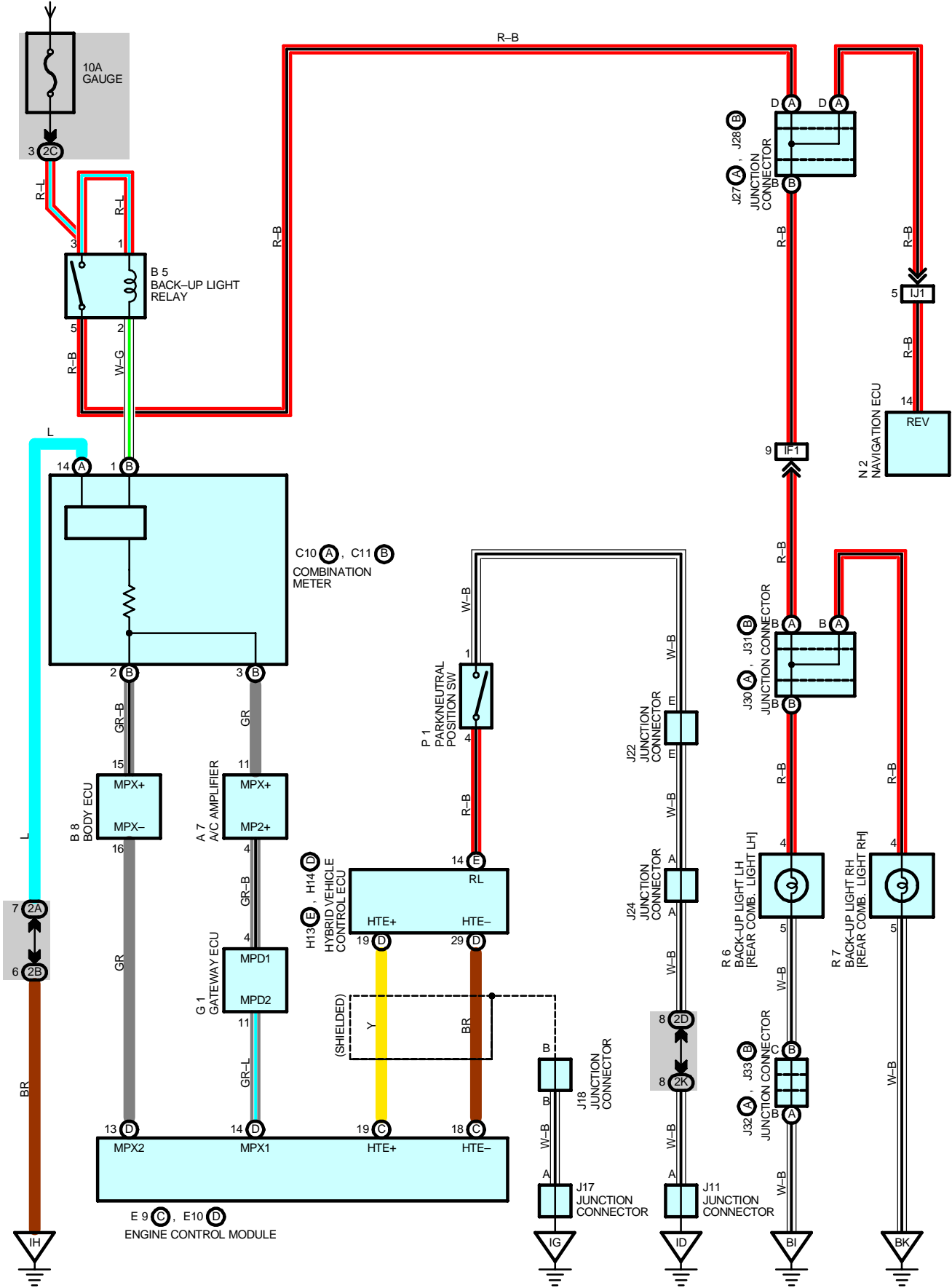
Code	See Page	Joining Wire Harness and Wire Harness (Connector Location)
IB1	<a href="#">42</a>	Floor Wire and Cowl Wire (Cowl Side Panel LH)

 **: GROUND POINTS**

Code	See Page	Ground Points Location
BI	<a href="#">46</a>	Left Side of Rear Pillar
BK	<a href="#">46</a>	Back Panel Center

# BACK-UP LIGHT

FROM POWER SOURCE SYSTEM (SEE PAGE 50)



## SERVICE HINTS

### P1 PARK/NEUTRAL POSITION SW

4-1 : Closed with the shift lever at **R** position

### B5 BACK-UP LIGHT RELAY

3-5 : Closed with the shift lever at **R** position

## ○ : PARTS LOCATION

Code	See Page	Code	See Page	Code	See Page
A7	36	H14   D	37	J31   B	38
B5	36	J11	37	J32   A	38
B8	36	J17	37	J33   B	38
C10   A	36	J18	37	N2	39
C11   B	36	J22	37	P1	37
E9   C	36	J24	37	R6	39
E10   D	36	J27   A	37	R7	39
G1	37	J28   B	37		
H13   E	37	J30   A	38		

## ○ : JUNCTION BLOCK AND WIRE HARNESS CONNECTOR

Code	See Page	Junction Block and Wire Harness (Connector Location)
2A	30	Instrument Panel Wire and Instrument Panel J/B (Cowl Side Panel LH)
2B		
2C		
2D		
2K	31	Cowl Wire and Instrument Panel J/B (Cowl Side Panel LH)

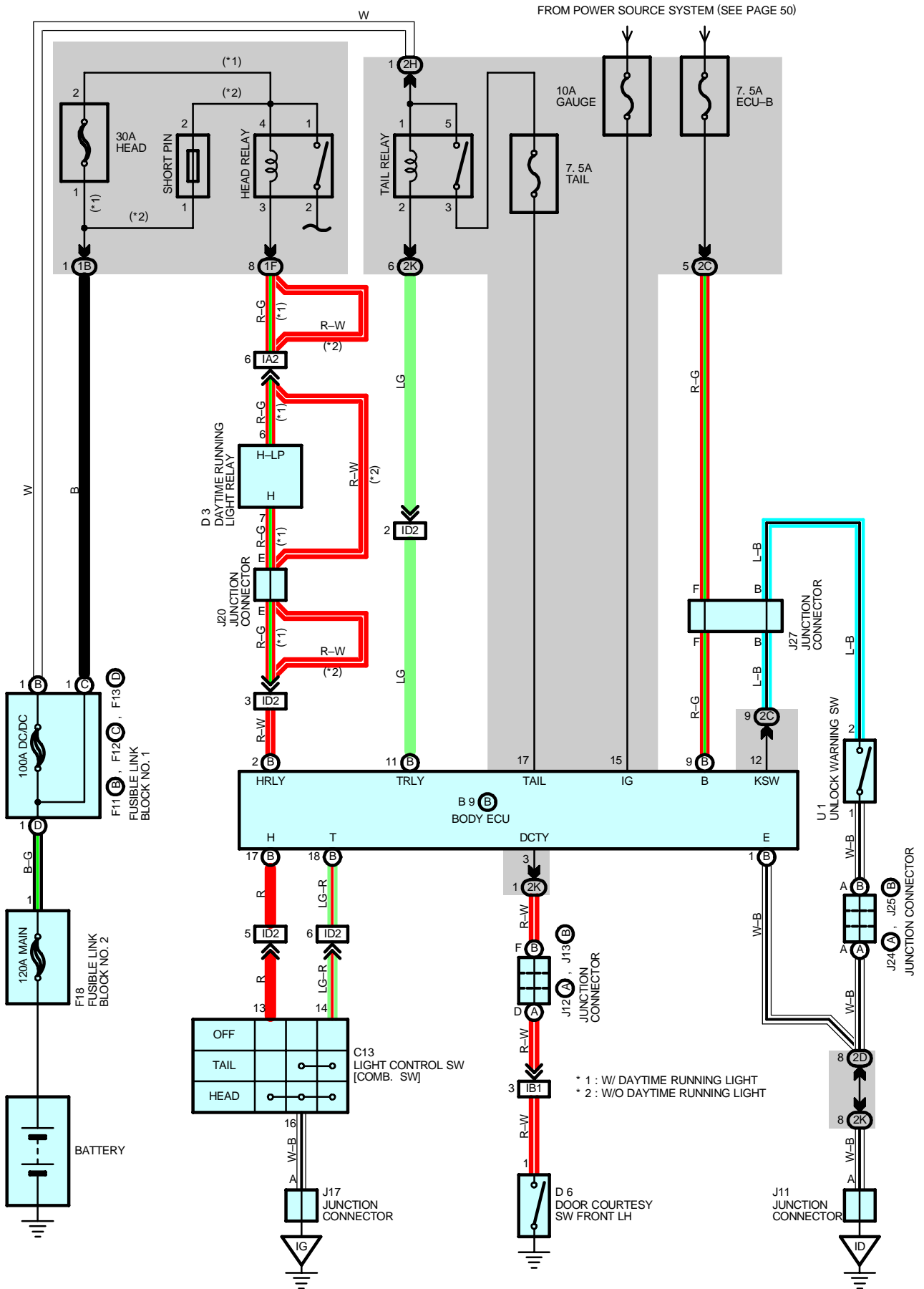
## □ : CONNECTOR JOINING WIRE HARNESS AND WIRE HARNESS

Code	See Page	Joining Wire Harness and Wire Harness (Connector Location)
IF1	42	Instrument Panel Wire and Floor Wire (Left Kick Panel)
IJ1	44	Floor No.3 Wire and Instrument Panel Wire (Under the Instrument Panel Center)

## ▽ : GROUND POINTS

Code	See Page	Ground Points Location
ID	42	Cowl Side Panel LH
IG	42	Cowl Side Panel RH
IH	42	Right Kick Panel
BI	46	Left Side of Rear Pillar
BK	46	Back Panel Center

# LIGHT AUTO TURN OFF



## SYSTEM OUTLINE

With the ignition SW turned on, the current flows to TERMINAL 15 of the body ECU through GAUGE fuse. Voltage is applied at all times to TERMINAL (A) 11 of the body ECU through the TAIL relay. Coil side, and to TERMINAL (A) 2 through the HEAD relay coil side (w/o daytime running light) or through the daytime running light relay (w/ daytime running light).

### 1. NORMAL LIGHTING OPERATION

<Turn taillight on>

With the light control SW turned to TAIL position, a signal is input into TERMINAL (A) 18 of the body ECU. Due to this signal, the current flowing to TERMINAL (A) 11 of the body ECU flows to TERMINAL (A) 18 to TERMINAL 14 of the light control SW to TERMINAL 16 to GROUND, and taillight relay causes taillights to turn on.

<Turn headlight on>

With the light control SW turned to HEAD position, a signal is input into TERMINALS (A) 17 and (A) 18 of the body ECU. Due to this signal, the current flowing to TERMINAL (A) 2 of the body ECU flows to TERMINAL (A) 17 to TERMINAL 13 of the light control SW to TERMINAL 16 to GROUND in the headlight circuit, and causes taillight and HEAD relay to turn the lights on. The taillight circuit is same as above.

### 2. LIGHT AUTO TURN OFF OPERATION

With light on and ignition SW turned off (Input signal goes to TERMINAL 15 of the body ECU), when the driver's door is opened (Input signal goes to TERMINAL 3 of the body ECU), the ECU operates and the current is cut off which flows from TERMINAL (A) 11 of the body ECU to TERMINAL (A) 18 in taillight circuit and from TERMINAL (A) 2 to TERMINAL (A) 17 in headlight circuit.

As a result, all lights are turned off automatically.

## SERVICE HINTS

### HEAD RELAY

2-1 : Closed with the light control SW at **HEAD** position or the dimmer SW at **FLASH** position

Closed with the engine running and the parking brake lever released (Parking brake SW off) [w/ daytime running light]

### TAIL RELAY

3-5 : Closed with the light control SW at **TAIL** or **HEAD** position

### D6 DOOR COURTESY SW LH

1-GROUND : Continuity with the front LH door open

### B9 (B) BODY ECU

15-GROUND : Approx. **12** volts with the ignition SW at **ON** position

3-GROUND : Continuity with the front LH door open

(B) 9-GROUND : Always approx. **12** volts

(B) 1-GROUND : Always continuity

(B) 2-GROUND : Continuity with the light control SW at **HEAD** position

(B)11-GROUND : Continuity with the light control SW at **TAIL** or **HEAD** position

## ○ : PARTS LOCATION

Code	See Page	Code	See Page	Code	See Page
B9	B	36	F13	D	34
				J20	37
C13	36	F18	38	J24	A
					37
D3	36	J11	37	J25	B
					37
D6	38	J12	A	J27	37
F11	B	34	J13	B	37
F12	C	34	J17	37	

## ○ : JUNCTION BLOCK AND WIRE HARNESS CONNECTOR

Code	See Page	Junction Block and Wire Harness (Connector Location)
1B	27	Engine Room Main Wire and Engine Room J/B (Engine Compartment Left)
1F		
2C	30	Instrument Panel Wire and Instrument Panel J/B (Cowl Side Panel LH)
2D		
2H	31	Engine Room Main Wire and Instrument Panel J/B (Cowl Side Panel LH)
2K	31	Cowl Wire and Instrument Panel J/B (Cowl Side Panel LH)

# LIGHT AUTO TURN OFF

---

 : CONNECTOR JOINING WIRE HARNESS AND WIRE HARNESS

Code	See Page	Joining Wire Harness and Wire Harness (Connector Location)
IA2	<a href="#">42</a>	Engine Room Main Wire and Cowl Wire (Cowl Side Panel LH)
IB1	<a href="#">42</a>	Floor Wire and Cowl Wire (Cowl Side Panel LH)
ID2	<a href="#">42</a>	Instrument Panel Wire and Cowl Wire (Left Kick Panel)

 : GROUND POINTS

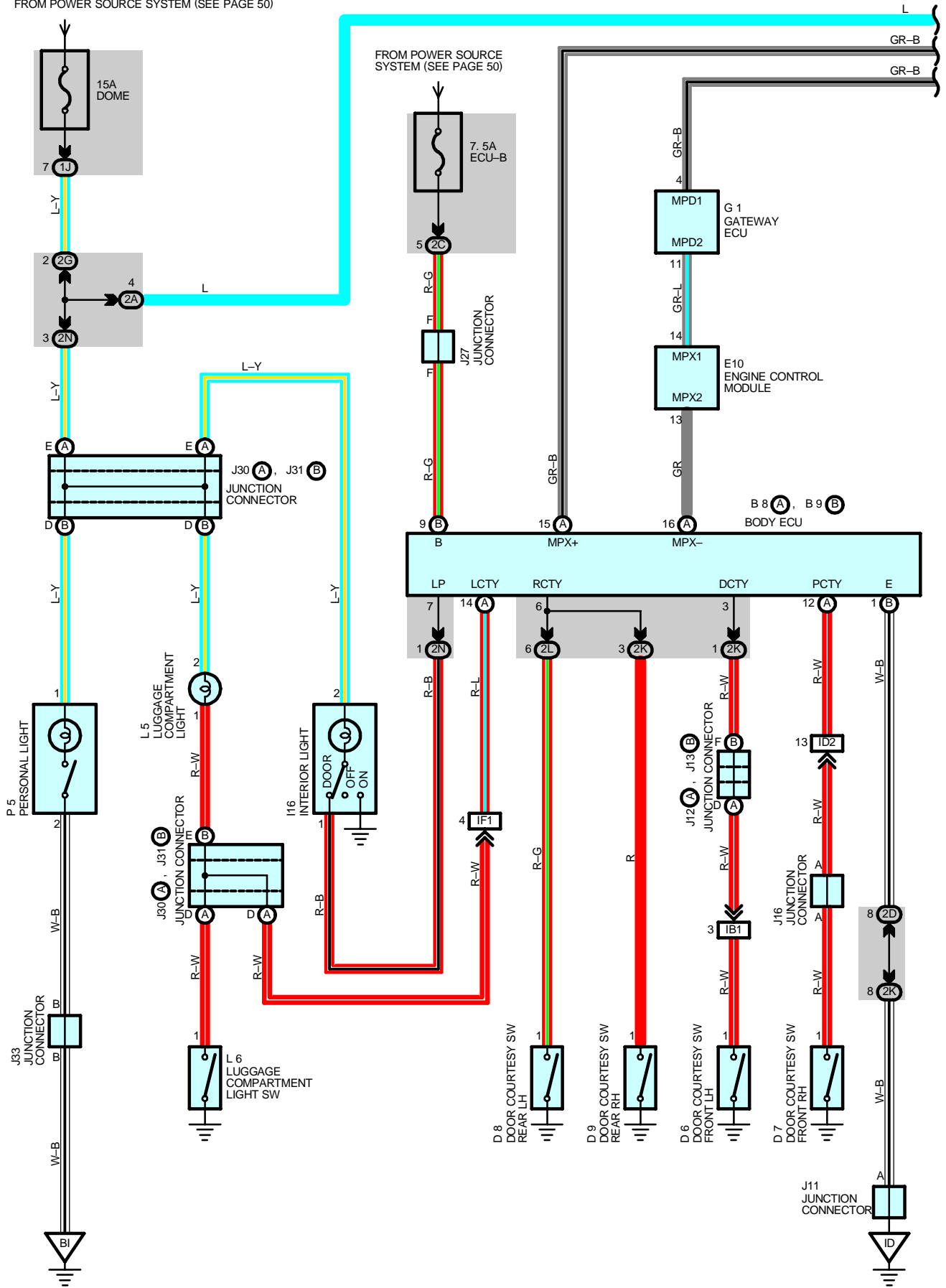
Code	See Page	Ground Points Location
ID	<a href="#">42</a>	Cowl Side Panel LH
IG	<a href="#">42</a>	Cowl Side Panel RH

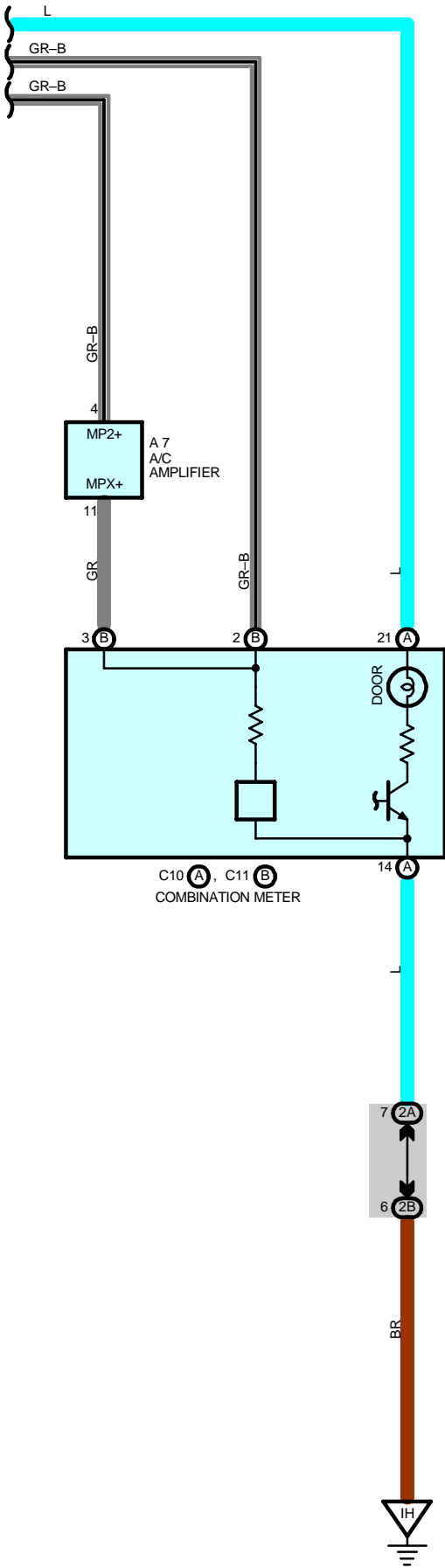




# INTERIOR LIGHT

FROM POWER SOURCE SYSTEM (SEE PAGE 50)





# INTERIOR LIGHT

## SERVICE HINTS

### B8 (A), B9 (B) BODY ECU

- 3-GROUND : Continuity with front LH door open
- 6-GROUND : Continuity with rear LH, RH door open

(A)14-GROUND : Continuity with front RH door open

(B) 9-GROUND : Always approx. 12 volts

### L6 LUGGAGE COMPARTMENT LIGHT SW

- 1-GROUND : Closed with the luggage compartment door open

## ○ : PARTS LOCATION

Code	See Page	Code	See Page	Code	See Page
A7	36	D9	38	J27	37
B8	A 36	E10	36	J30	A 38
B9	B 36	G1	37	J31	B 38
C10	A 36	I16	38	J33	38
C11	B 36	J11	37	L5	38
D6	38	J12	A 37	L6	38
D7	38	J13	B 37	P5	39
D8	38	J16	37		

## ○ : JUNCTION BLOCK AND WIRE HARNESS CONNECTOR

Code	See Page	Junction Block and Wire Harness (Connector Location)
1J	27	Engine Room Main Wire and Engine Room J/B (Engine Compartment Left)
2A	30	Instrument Panel Wire and Instrument Panel J/B (Cowl Side Panel LH)
2B		
2C		
2D		
2G	31	Engine Room Main Wire and Instrument Panel J/B (Cowl Side Panel LH)
2K	31	Cowl Wire and Instrument Panel J/B (Cowl Side Panel LH)
2L	31	Floor Wire and Instrument Panel J/B (Cowl Side Panel LH)
2N		

## □ : CONNECTOR JOINING WIRE HARNESS AND WIRE HARNESS

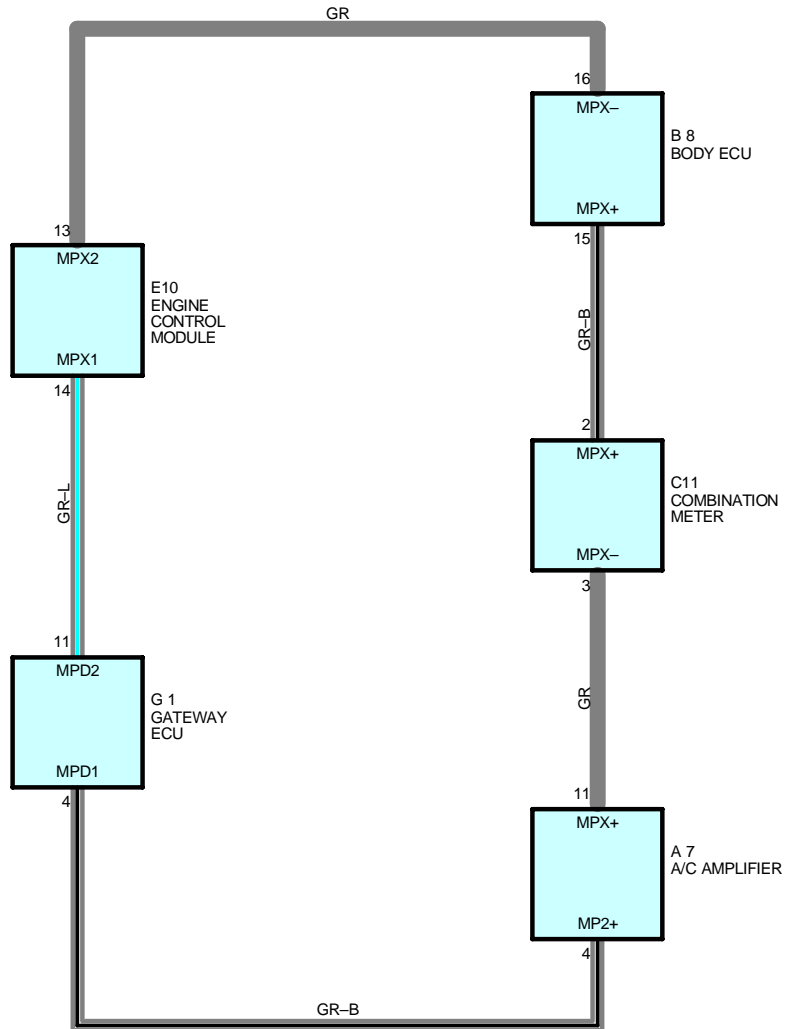
Code	See Page	Joining Wire Harness and Wire Harness (Connector Location)
IB1	42	Floor Wire and Cowl Wire (Cowl Side Panel LH)
ID2	42	Instrument Panel Wire and Cowl Wire (Left Kick Panel)
IF1	42	Instrument Panel Wire and Floor Wire (Left Kick Panel)

## ▽ : GROUND POINTS

Code	See Page	Ground Points Location
ID	42	Cowl Side Panel LH
IH	42	Right Kick Panel
BI	46	Left Side of Rear Pillar

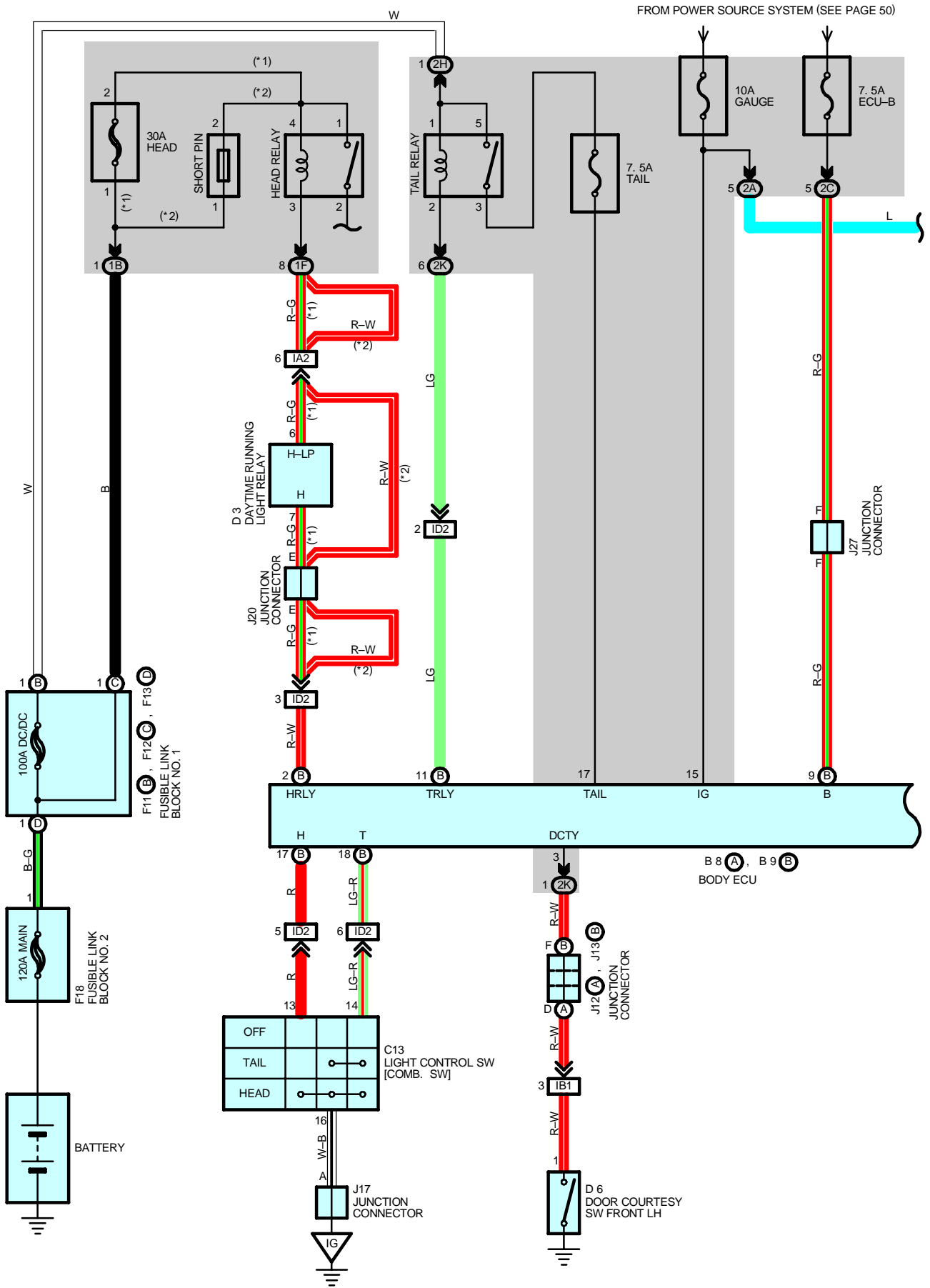


# MULTIPLEX COMMUNICATION SYSTEM (COMMUNICATION BUS)



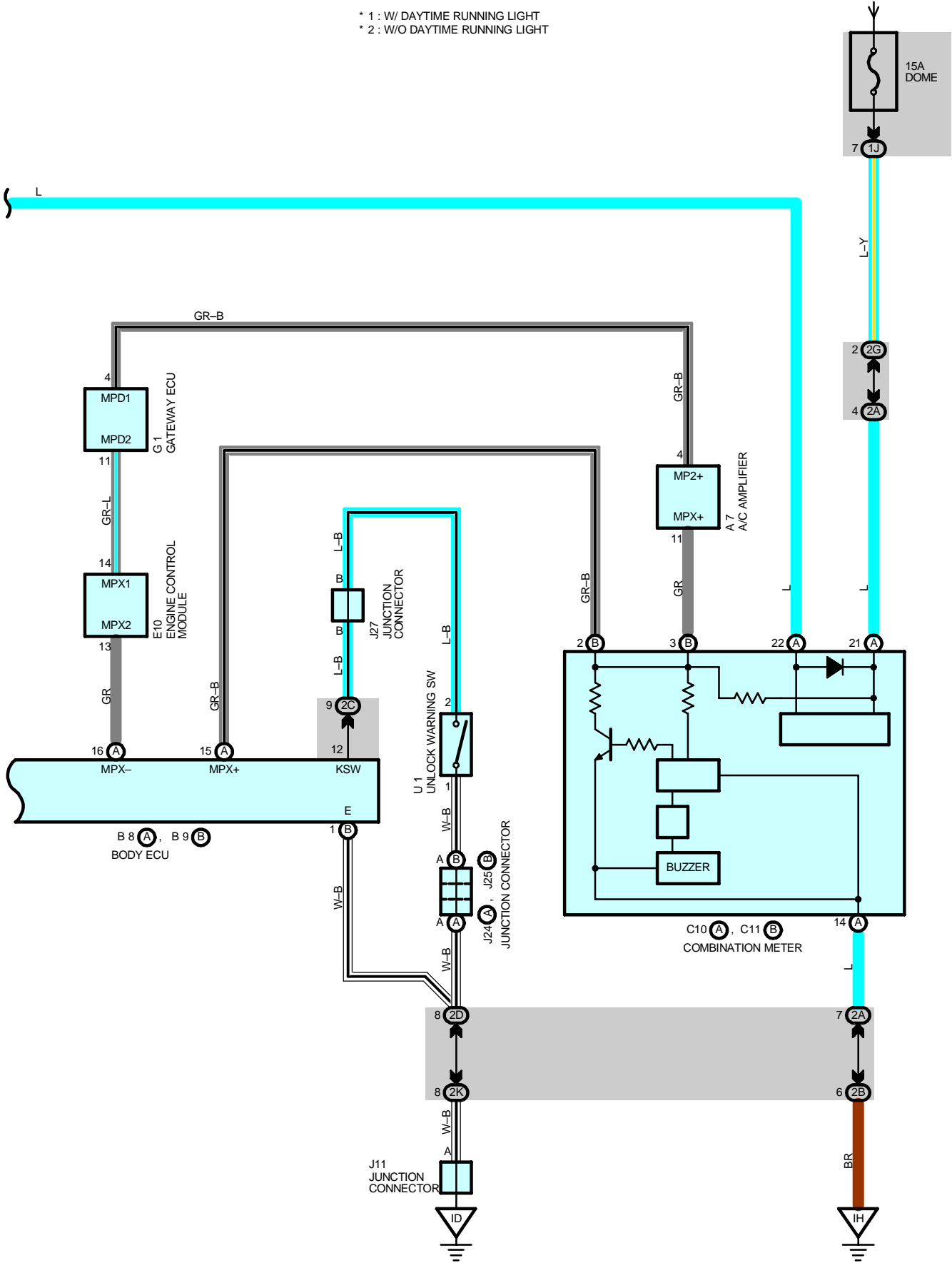


# KEY REMINDER AND LIGHT REMINDER BUZZER





- \* 1 : W/ DAYTIME RUNNING LIGHT
- \* 2 : W/O DAYTIME RUNNING LIGHT



# KEY REMINDER AND LIGHT REMINDER BUZZER

## SYSTEM OUTLINE

The current always flows from GAUGE fuse to body ECU TERMINAL 15.

### 1. LIGHT REMINDER BUZZER SYSTEM

If you open the door of the driver's side when either headlight or taillight is on with ignition SW being off, the buzzer comes on.

### 2. KEY REMINDER BUZZER SYSTEM

If you open the door of the driver's side when the ignition key is inserted in ignition SW being off, the buzzer comes on.

## SERVICE HINTS

### B8 (A), B9 (B) BODY ECU

- (B) 9-GROUND : Always approx. 12 volts
- (B) 1-GROUND : Always continuity
- 12-GROUND : Continuity with the ignition key in cylinder

### D6 DOOR COURTESY SW FRONT LH

- 1-GROUND : Closed with the driver's door open

### C10 (A) COMBINATION METER

- (A)22-GROUND : Approx. 12 volts with the ignition SW at ON position
- (A)21-GROUND : Always approx. 12 volts
- (A)14-GROUND : Always continuity

## ○ : PARTS LOCATION

Code	See Page	Code	See Page	Code	See Page
A7	36	E10	36	J13   B	37
B8   A	36	F11   B	34	J17	37
B9   B	36	F12   C	34	J20	37
C10   A	36	F13   D	34	J24   A	37
C11   B	36	F18	38	J25   B	37
C13	36	G1	37	J27	37
D3	36	J11	37	U1	37
D6	38	J12   A	37		

## ○ : JUNCTION BLOCK AND WIRE HARNESS CONNECTOR

Code	See Page	Junction Block and Wire Harness (Connector Location)
1B	27	Engine Room Main Wire and Engine Room J/B (Engine Compartment Left)
1F		
1J		
2A	30	Instrument Panel Wire and Instrument Panel J/B (Cowl Side Panel LH)
2B		
2C		
2D		
2G	31	Engine Room Main Wire and Instrument Panel J/B (Cowl Side Panel LH)
2H		
2K	31	Cowl Wire and Instrument Panel J/B (Cowl Side Panel LH)

## □ : CONNECTOR JOINING WIRE HARNESS AND WIRE HARNESS

Code	See Page	Joining Wire Harness and Wire Harness (Connector Location)
IA2	42	Engine Room Main Wire and Cowl Wire (Cowl Side Panel LH)
IB1	42	Floor Wire and Cowl Wire (Cowl Side Panel LH)
ID2	42	Instrument Panel Wire and Cowl Wire (Left Kick Panel)

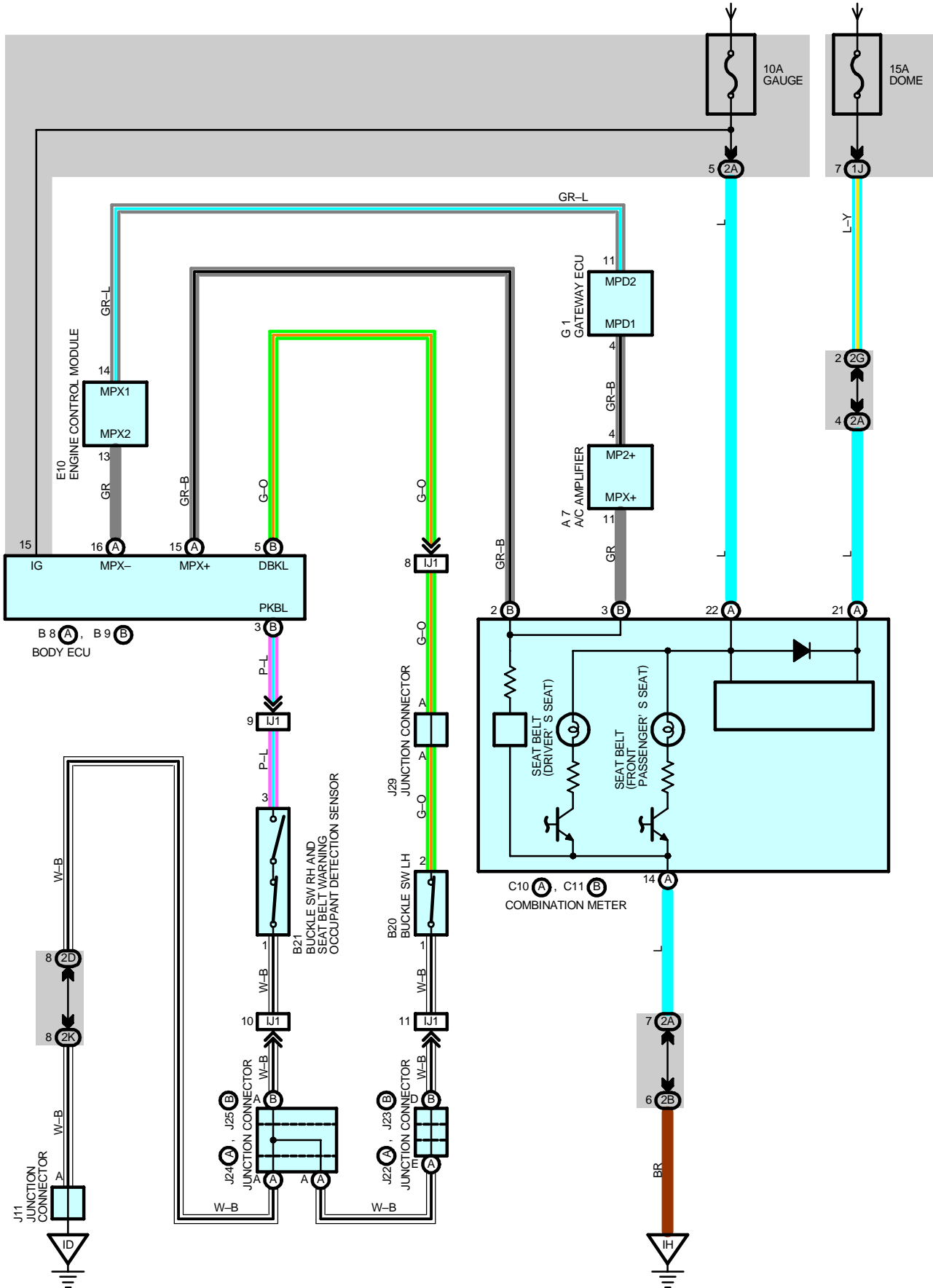


**: GROUND POINTS**

Code	See Page	Ground Points Location
ID	<a href="#">42</a>	Cowl Side Panel LH
IG	<a href="#">42</a>	Cowl Side Panel RH
IH	<a href="#">42</a>	Right Kick Panel

# SEAT BELT WARNING

FROM POWER SOURCE SYSTEM (SEE PAGE 50)



## SYSTEM OUTLINE

When the driver has not fastened the seat belt while the ignition SW is ON, the driver seat belt warning light blinks, and a warning buzzer comes on.

Also, in the front passenger seat, a sensor recognizes a passenger, and when the passenger has not fastened the seat belt, the front passenger seat belt warning light blinks.

## SERVICE HINTS

### B20 BUCKLE SW LH

1-2 : Closed with driver's seat belt in use

## ○ : PARTS LOCATION

Code	See Page	Code	See Page	Code	See Page
A7	36	C10	A	J22	A
B8	A	C11	B	J23	B
B9	B	E10	36	J24	A
B20	38	G1	37	J25	B
B21	38	J11	37	J29	37

## ○ : JUNCTION BLOCK AND WIRE HARNESS CONNECTOR

Code	See Page	Junction Block and Wire Harness (Connector Location)
1J	27	Engine Room Main Wire and Engine Room J/B (Engine Compartment Left)
2A	30	Instrument Panel Wire and Instrument Panel J/B (Cowl Side Panel LH)
2B		
2D		
2G	31	Engine Room Main Wire and Instrument Panel J/B (Cowl Side Panel LH)
2K	31	Cowl Wire and Instrument Panel J/B (Cowl Side Panel LH)

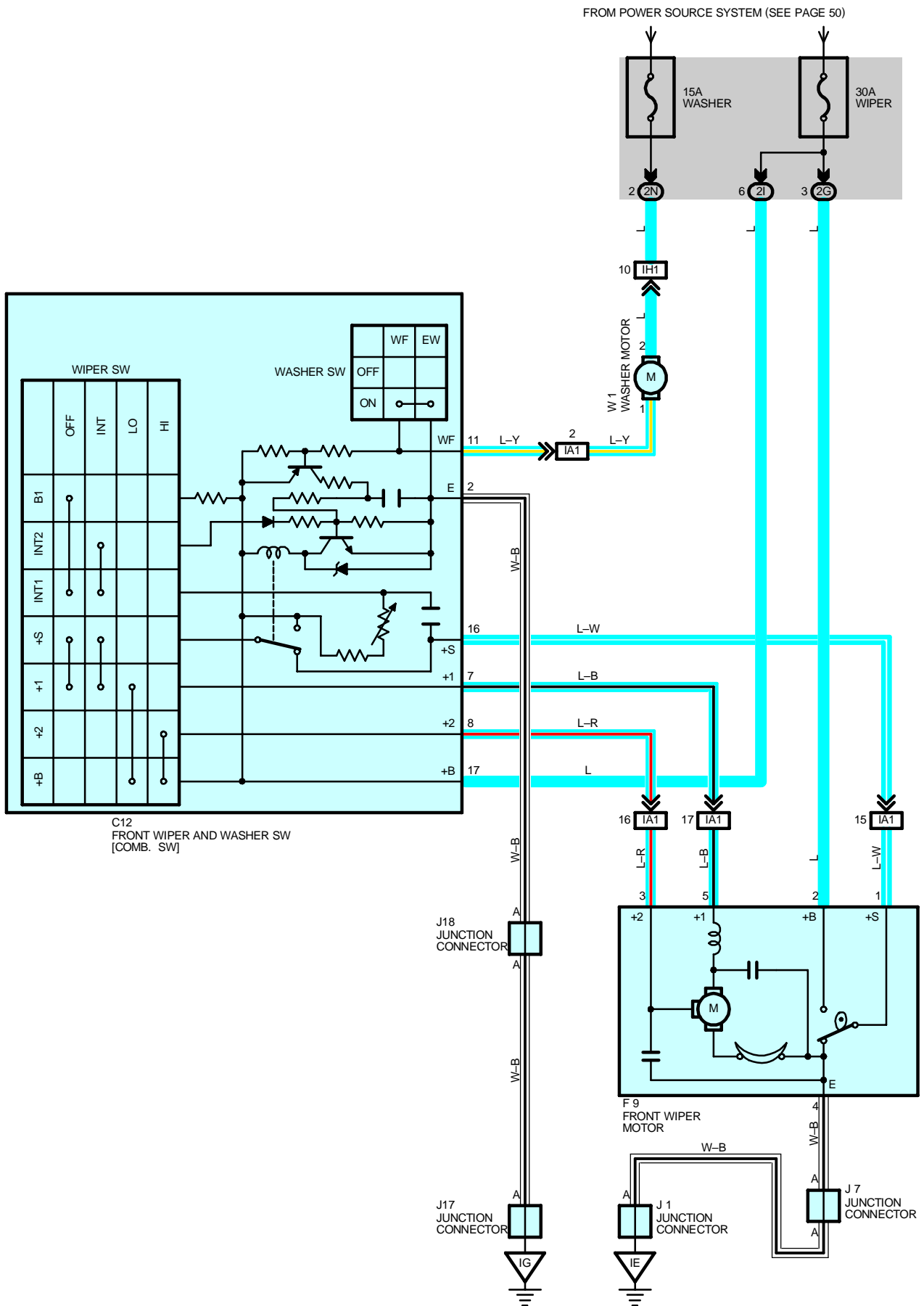
## □ : CONNECTOR JOINING WIRE HARNESS AND WIRE HARNESS

Code	See Page	Joining Wire Harness and Wire Harness (Connector Location)
IJ1	44	Floor No.3 Wire and Instrument Panel Wire (Under the Instrument Panel Center)

## ▽ : GROUND POINTS

Code	See Page	Ground Points Location
ID	42	Cowl Side Panel LH
IH	42	Right Kick Panel

# WIPER AND WASHER



## SYSTEM OUTLINE

When the ignition SW is turned ON, the current flows from WIPER fuse to wiper and washer SW TERMINAL 17 and front wiper motor TERMINAL 2 or the current flows from WASHER fuse to washer motor TERMINAL 2.

### 1. LO POSITION

When the wiper and washer SW is at LO position, the current flows from wiper and washer SW TERMINAL 17 to TERMINAL 7 to front wiper motor TERMINAL 5 to TERMINAL 4 to GROUND, and the front wiper motor runs at low speed.

### 2. HI POSITION

When the wiper and washer SW is at HI position, the current flows from wiper and washer SW TERMINAL 17 to TERMINAL 8 to front wiper motor TERMINAL 3 to TERMINAL 4 to GROUND, and the front wiper motor runs at high speed.

### 3. INT POSITION

When the wiper and washer SW is at INT position, the wiper relay is activated and the current flows from wiper and washer SW TERMINAL 17 to TERMINAL 2 to GROUND. This current activates the intermittent circuit, and the current flows from wiper and washer SW TERMINAL 17 to TERMINAL 7 to front wiper motor TERMINAL 5 to TERMINAL 4 to GROUND, and operates the front wipers.

### 4. WASHER CONTINUOUS OPERATION

When the wiper and washer SW is pulled to WASHER position (Washer SW ON position), the current from the WASHER fuse flows to washer motor TERMINAL 2 to TERMINAL 1 to wiper and washer SW TERMINAL 11 to TERMINAL 2 to GROUND, and operates the washer motor to emit a water spray. At the same time, the current flows from the WIP fuse to wiper and washer SW TERMINAL 17 to TERMINAL 7 to front wiper motor TERMINAL 5 to TERMINAL 4 to GROUND, and operates the front wiper motor.

## SERVICE HINTS

### C12 FRONT WIPER AND WASHER SW

2-GROUND : Always continuity

7-GROUND : Approx. 12 volts with the front wiper and washer SW at **LO** position

Approx. 2 to 12 seconds intermittently with the front wiper and washer SW at **INT** position

8-GROUND : Approx. 12 volts with the front wiper and washer SW at **HI** position

16-GROUND : Approx. 12 volts with the ignition SW on unless the front wiper motor at **STOP** position

17-GROUND : Approx. 12 volts the ignition SW at **ON** or **ST** position

### F9 FRONT WIPER MOTOR

2-1 : Closed unless the wiper motor at **STOP** position

## ○ : PARTS LOCATION

Code	See Page	Code	See Page	Code	See Page
C12	36	J7	37	W1	35
F9	34	J17	37		
J1	37	J18	37		

## ○ : JUNCTION BLOCK AND WIRE HARNESS CONNECTOR

Code	See Page	Junction Block and Wire Harness (Connector Location)
2G	31	Engine Room Main Wire and Instrument Panel J/B (Cowl Side Panel LH)
2I	31	Cowl Wire and Instrument Panel J/B (Cowl Side Panel LH)
2N	31	Floor Wire and Instrument Panel J/B (Cowl Side Panel LH)

## □ : CONNECTOR JOINING WIRE HARNESS AND WIRE HARNESS

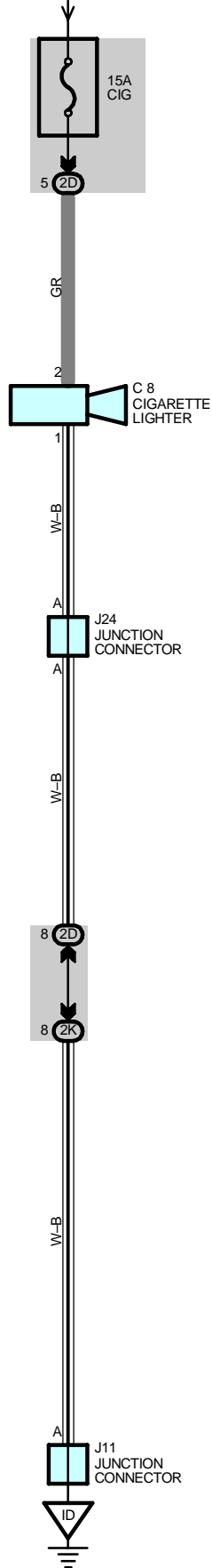
Code	See Page	Joining Wire Harness and Wire Harness (Connector Location)
IA1	42	Engine Room Main Wire and Cowl Wire (Cowl Side Panel LH)
IH1	42	Floor Wire and Engine Room Main Wire (Left Kick Panel)

## ▽ : GROUND POINTS

Code	See Page	Ground Points Location
IE	42	Cowl Side Panel LH
IG	42	Cowl Side Panel RH

# CIGARETTE LIGHTER

FROM POWER SOURCE SYSTEM (SEE PAGE 50)





---

**SERVICE HINTS****C8 CIGARETTE LIGHTER**2-GROUND : Approx. **12** volts with the ignition SW at **ACC** or **ON** position

1-GROUND : Always continuity

 **: PARTS LOCATION**

Code	See Page	Code	See Page	Code	See Page
C8	<a href="#">36</a>	J11	<a href="#">37</a>	J24	<a href="#">37</a>

 **: JUNCTION BLOCK AND WIRE HARNESS CONNECTOR**

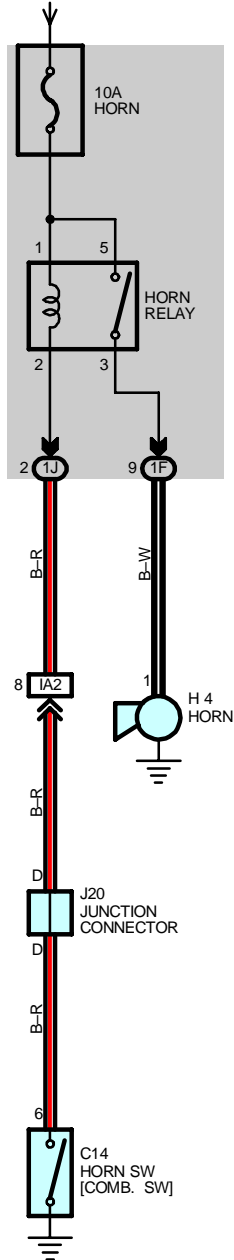
Code	See Page	Junction Block and Wire Harness (Connector Location)
2D	<a href="#">30</a>	Instrument Panel Wire and Instrument Panel J/B (Cowl Side Panel LH)
2K	<a href="#">31</a>	Cowl Wire and Instrument Panel J/B (Cowl Side Panel LH)

 **: GROUND POINTS**

Code	See Page	Ground Points Location
ID	<a href="#">42</a>	Cowl Side Panel LH

# HORN

FROM POWER SOURCE SYSTEM (SEE PAGE 50)



---

**SERVICE HINTS****HORN RELAY**

5-3 : Closed with the horn SW on

**○ : PARTS LOCATION**

Code	See Page	Code	See Page	Code	See Page
C14	36	H4	34	J20	37

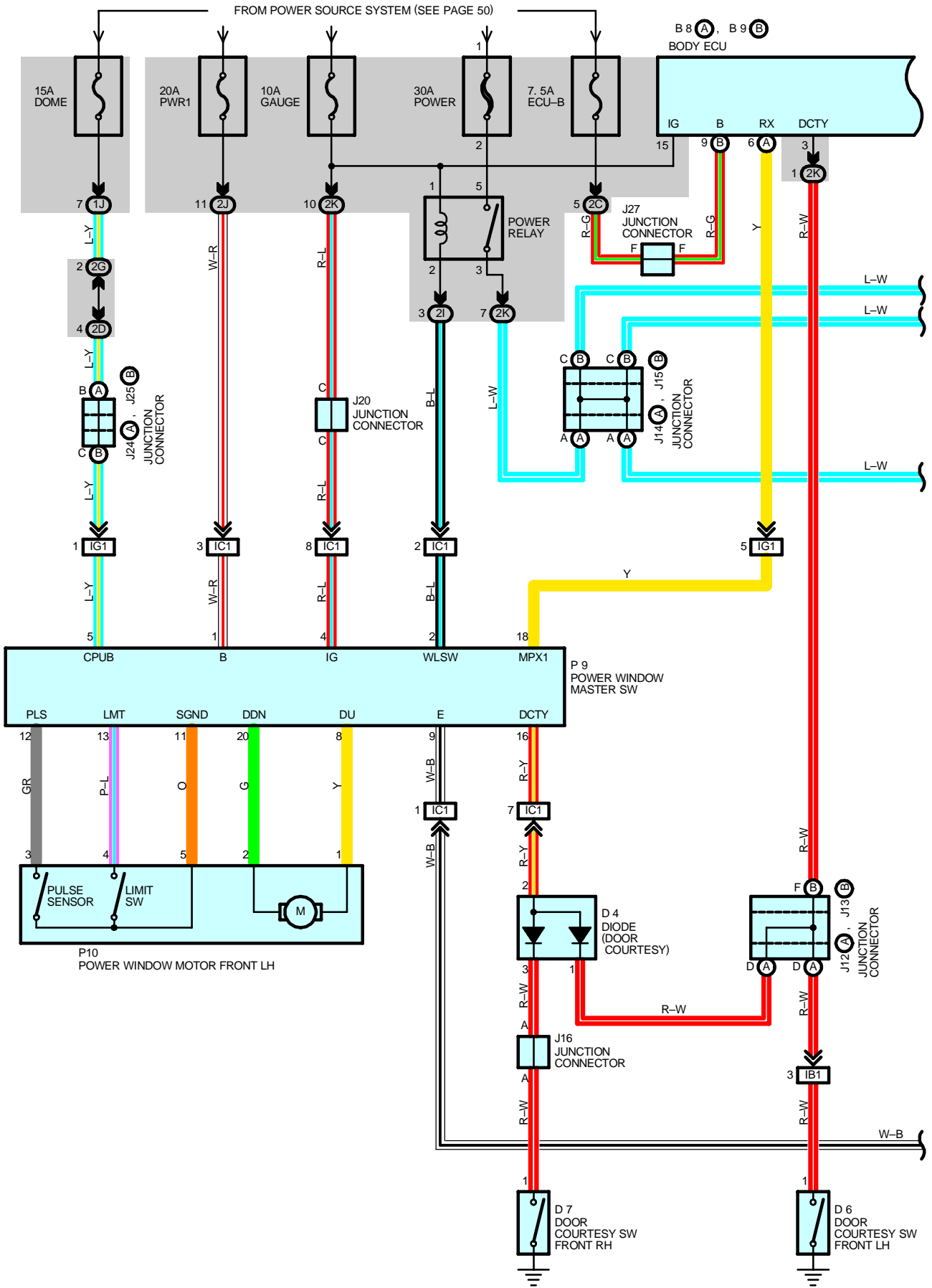
**○ : JUNCTION BLOCK AND WIRE HARNESS CONNECTOR**

Code	See Page	Junction Block and Wire Harness (Connector Location)
1F	27	Engine Room Main Wire and Engine Room J/B (Engine Compartment Left)
1J		

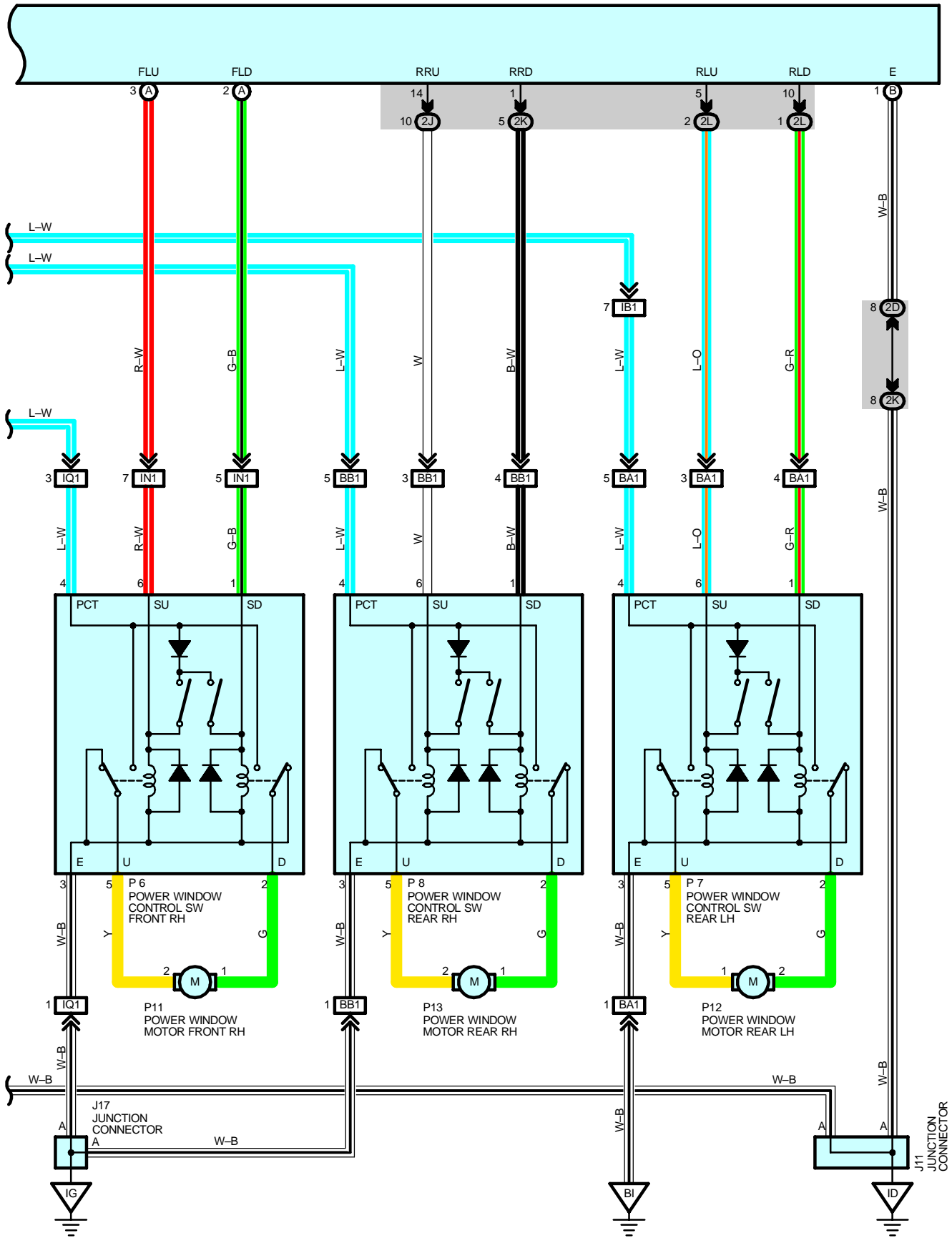
**□ : CONNECTOR JOINING WIRE HARNESS AND WIRE HARNESS**

Code	See Page	Joining Wire Harness and Wire Harness (Connector Location)
IA2	42	Engine Room Main Wire and Cowl Wire (Cowl Side Panel LH)

# POWER WINDOW



B 8 (A), B 9 (B)  
BODY ECU



# POWER WINDOW

## SYSTEM OUTLINE

Communication between power window master SW and body ECU is controlled and body ECU recognizes the conditions of each SW to control the operation of windows.

### 1. MANUAL UP OR DOWN OPERATION (DRIVER'S WINDOW, PASSENGER'S WINDOW)

During you are pushing power window master SW (Driver side) halfway down, the motor operates and the window on the driver's side opens. During you are pulling power window master SW (Driver side) halfway up, the motor operates and the windows on the driver's side closes. The window on the passenger's side opens or closes by pushing down or pulling up power window master SW (Front passenger, rear passenger) or power window SW front RH, rear LH, RH.

### 2. AUTO UP OR DOWN OPERATION (DRIVER'S WINDOW)

When the power window master SW (Driver side) is fully pushed down, the motor operates and the window on the driver's side automatically opens. When the power window master SW (Driver side) is fully pulled up, the motor operates and the window on the driver's side automatically closes.

### 3. STOPPING AUTOMATIC WINDOW OPERATION

If you push the power window master SW (Driver side) halfway down during the window on the driver's side is raising automatically, the motor's operation stops. And if you pull the power window master SW (Driver side) halfway up during the window on the driver's side is lowering automatically, the motor's operation stops.

### 4. KEY OFF POWER WINDOW OPERATION

After the Ignition SW is turned off, the windows can be operated for about 43 seconds. However, the window operation stops when either front doors opens.

### 5. JAM PROTECTION FUNCTION (DRIVER'S WINDOW)

When any foreign object gets caught during power window UP operation, the motor rotates in the opposite direction to open the window.

## SERVICE HINTS

### P9 POWER WINDOW MASTER SW

- 1-GROUND : Always approx. 12 volts
- 4-GROUND : Approx. 12 volts with the ignition SW at **ON** position
- 9-GROUND : Always continuity

### B8 (A), B9 (B) BODY ECU

- 15-GROUND : Approx. 12 volts with the ignition SW at **ON** position
- (B)9-GROUND : Always approx. 12 volts

## ○ : PARTS LOCATION

Code	See Page	Code	See Page	Code	See Page
B8 A	36	J15 B	37	P7	39
B9 B	36	J16	37	P8	39
D4	36	J17	37	P9	39
D6	38	J20	37	P10	39
D7	38	J24 A	37	P11	39
J12 A	37	J25 B	37	P12	39
J13 B	37	J27	37	P13	39
J14 A	37	P6	39		

## ○ : JUNCTION BLOCK AND WIRE HARNESS CONNECTOR

Code	See Page	Junction Block and Wire Harness (Connector Location)
1J	27	Engine Room Main Wire and Engine Room J/B (Engine Compartment Left)
2C	30	Instrument Panel Wire and Instrument Panel J/B (Cowl Side Panel LH)
2D		
2G	31	Engine Room Main Wire and Instrument Panel J/B (Cowl Side Panel LH)
2I	31	Cowl Wire and Instrument Panel J/B (Cowl Side Panel LH)
2J		
2K		
2L	31	Floor Wire and Instrument Panel J/B (Cowl Side Panel LH)

---

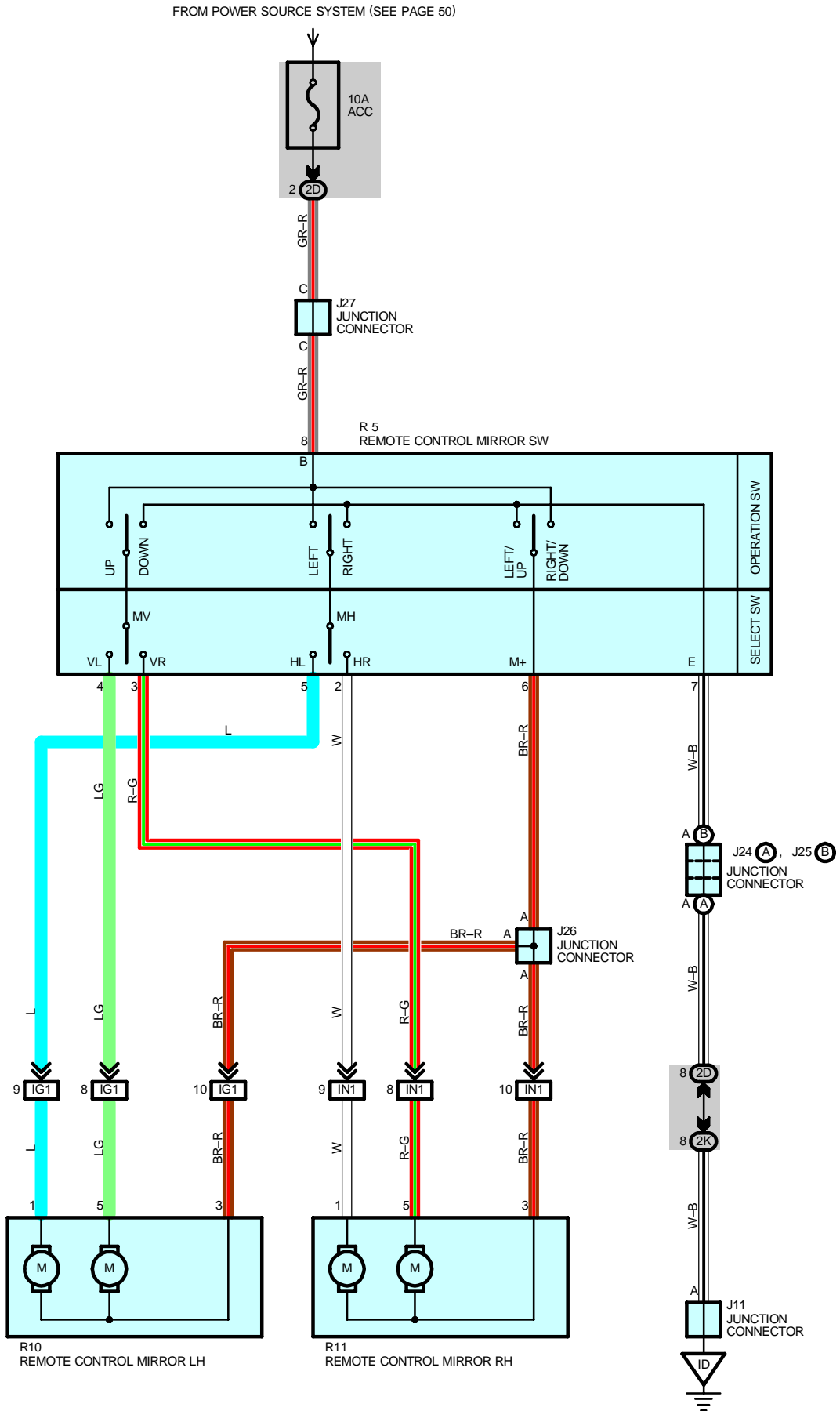
 : CONNECTOR JOINING WIRE HARNESS AND WIRE HARNESS

Code	See Page	Joining Wire Harness and Wire Harness (Connector Location)
IB1	<a href="#">42</a>	Floor Wire and Cowl Wire (Cowl Side Panel LH)
IC1	<a href="#">42</a>	Front Door LH Wire and Cowl Wire (Left Kick Panel)
IG1	<a href="#">42</a>	Front Door LH Wire and Instrument Panel Wire (Left Kick Panel)
IN1	<a href="#">44</a>	Front Door RH Wire and Instrument Panel Wire (Right Kick Panel)
IQ1	<a href="#">44</a>	Front Door RH Wire and Cowl Wire (Right Kick Panel)
BA1	<a href="#">46</a>	Rear Door No.2 Wire and Floor Wire (Center Pillar LH)
BB1	<a href="#">46</a>	Rear Door No.1 Wire and Cowl Wire (Center Pillar RH)

 : GROUND POINTS

Code	See Page	Ground Points Location
IG	<a href="#">42</a>	Cowl Side Panel RH
BI	<a href="#">46</a>	Left Side of Rear Pillar

# REMOTE CONTROL MIRROR





## SERVICE HINTS

### R5 REMOTE CONTROL MIRROR SW

8-GROUND : Approx. **12** volts with the ignition SW at **ACC** or **ON** position

6-7 : Continuity with the operation SW at **UP** or **LEFT** position

8-6 : Continuity with the operation SW at **DOWN** or **RIGHT** position

### : PARTS LOCATION

Code		See Page	Code		See Page	Code		See Page
J11		<a href="#">37</a>	J26		<a href="#">37</a>	R10		<a href="#">39</a>
J24	A	<a href="#">37</a>	J27		<a href="#">37</a>	R11		<a href="#">39</a>
J25	B	<a href="#">37</a>	R5		<a href="#">37</a>			

### : JUNCTION BLOCK AND WIRE HARNESS CONNECTOR

Code	See Page	Junction Block and Wire Harness (Connector Location)
2D	<a href="#">30</a>	Instrument Panel Wire and Instrument Panel J/B (Cowl Side Panel LH)
2K	<a href="#">31</a>	Cowl Wire and Instrument Panel J/B (Cowl Side Panel LH)

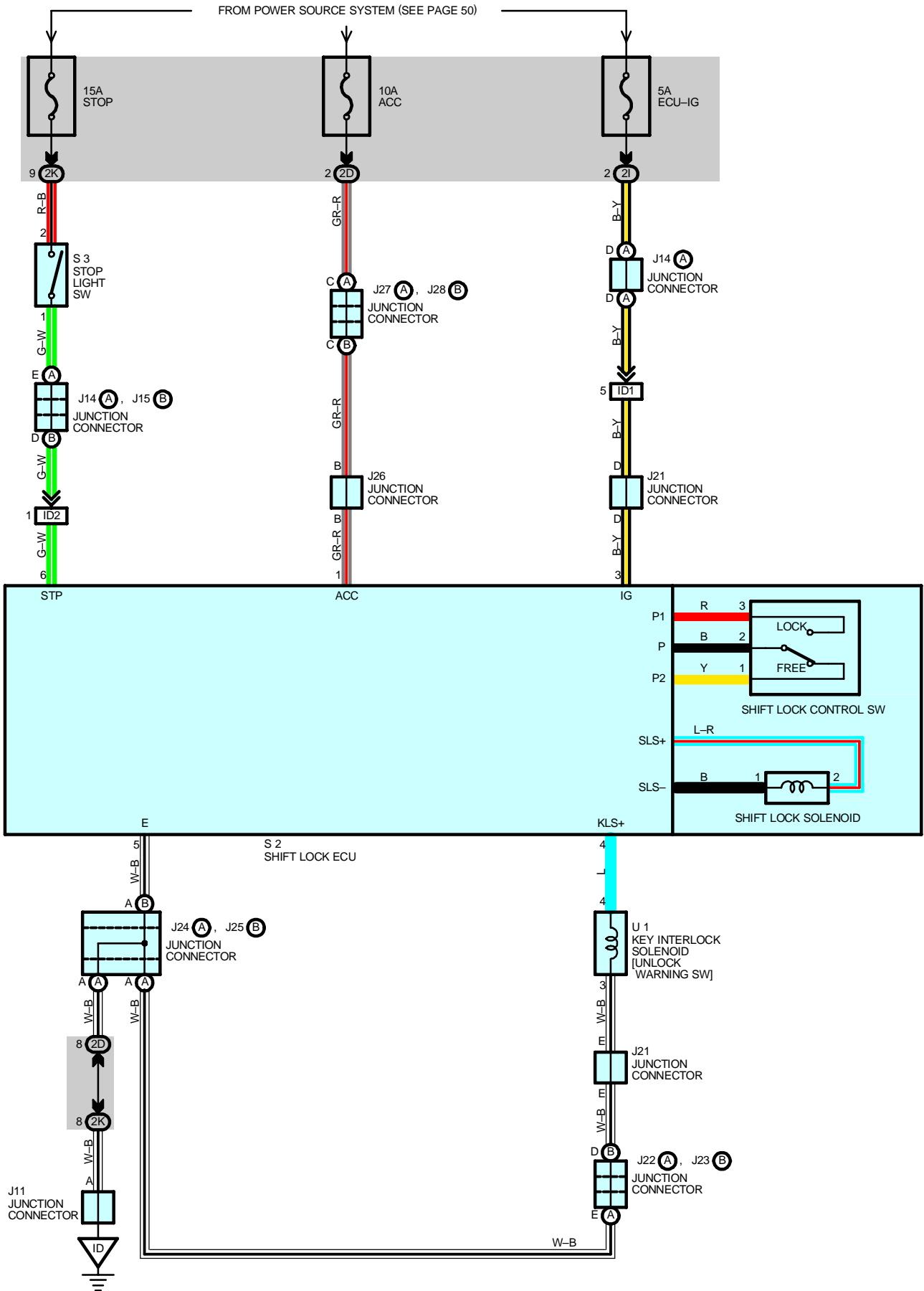
### : CONNECTOR JOINING WIRE HARNESS AND WIRE HARNESS

Code	See Page	Joining Wire Harness and Wire Harness (Connector Location)
IG1	<a href="#">42</a>	Front Door LH Wire and Instrument Panel Wire (Left Kick Panel)
IN1	<a href="#">44</a>	Front Door RH Wire and Instrument Panel Wire (Right Kick Panel)

### : GROUND POINTS

Code	See Page	Ground Points Location
ID	<a href="#">42</a>	Cowl Side Panel LH

# SHIFT LOCK



## SYSTEM OUTLINE

When the ignition SW is turned to ACC position the current from the ACC fuse flows to TERMINAL 1 of the shift lock ECU, in the ON position, the current from the ECU-IG fuse flows to TERMINAL 3 of the ECU.

### 1. SHIFT LOCK MECHANISM

With the ignition SW on, when a signal that the brake pedal is depressed (Stop light SW on) and a signal that the shift lever is put in P position (Continuity between P1 and P of the shift lock control SW) is input to the ECU, the ECU operates and current flows from TERMINAL 3 of the ECU to TERMINAL SLS+ of the shift lock solenoid to solenoid to TERMINAL SLS- to TERMINAL 5 of the ECU to GROUND. This causes the shift lock solenoid to turn on (Plate stopper disengages) and the shift lever can shift into position other than the P.

### 2. KEY INTERLOCK MECHANISM

With the ignition SW ON or ACC position, when the shift lever is put in P position (No continuity between P2 and P of shift lock control SW), the current flowing from TERMINAL 4 of the ECU to the key interlock solenoid is cut off. This causes the key interlock solenoid to turn off (Lock lever disengages from LOCK position) and the ignition key can be turned from ACC to LOCK position.

## SERVICE HINTS

### S2 SHIFT LOCK ECU

- 1-GROUND : Approx. **12** volts with the ignition SW at **ACC** or **ON** position
- 3-GROUND : Approx. **12** volts with the ignition SW at **ON** position
- 5-GROUND : Always continuity
- 6-GROUND : Approx. **12** volts with the brake pedal depressed

### S3 STOP LIGHT SW

- 2-1 : Closed with the brake pedal depressed

## ○ : PARTS LOCATION

Code	See Page	Code	See Page	Code	See Page
J11	37	J23	B 37	J28	B 37
J14	A 37	J24	A 37	S2	37
J15	B 37	J25	B 37	S3	37
J21	37	J26	37	U1	37
J22	A 37	J27	A 37		

## ○ : JUNCTION BLOCK AND WIRE HARNESS CONNECTOR

Code	See Page	Junction Block and Wire Harness (Connector Location)
2D	30	Instrument Panel Wire and Instrument Panel J/B (Cowl Side Panel LH)
2I	31	Cowl Wire and Instrument Panel J/B (Cowl Side Panel LH)
2K		

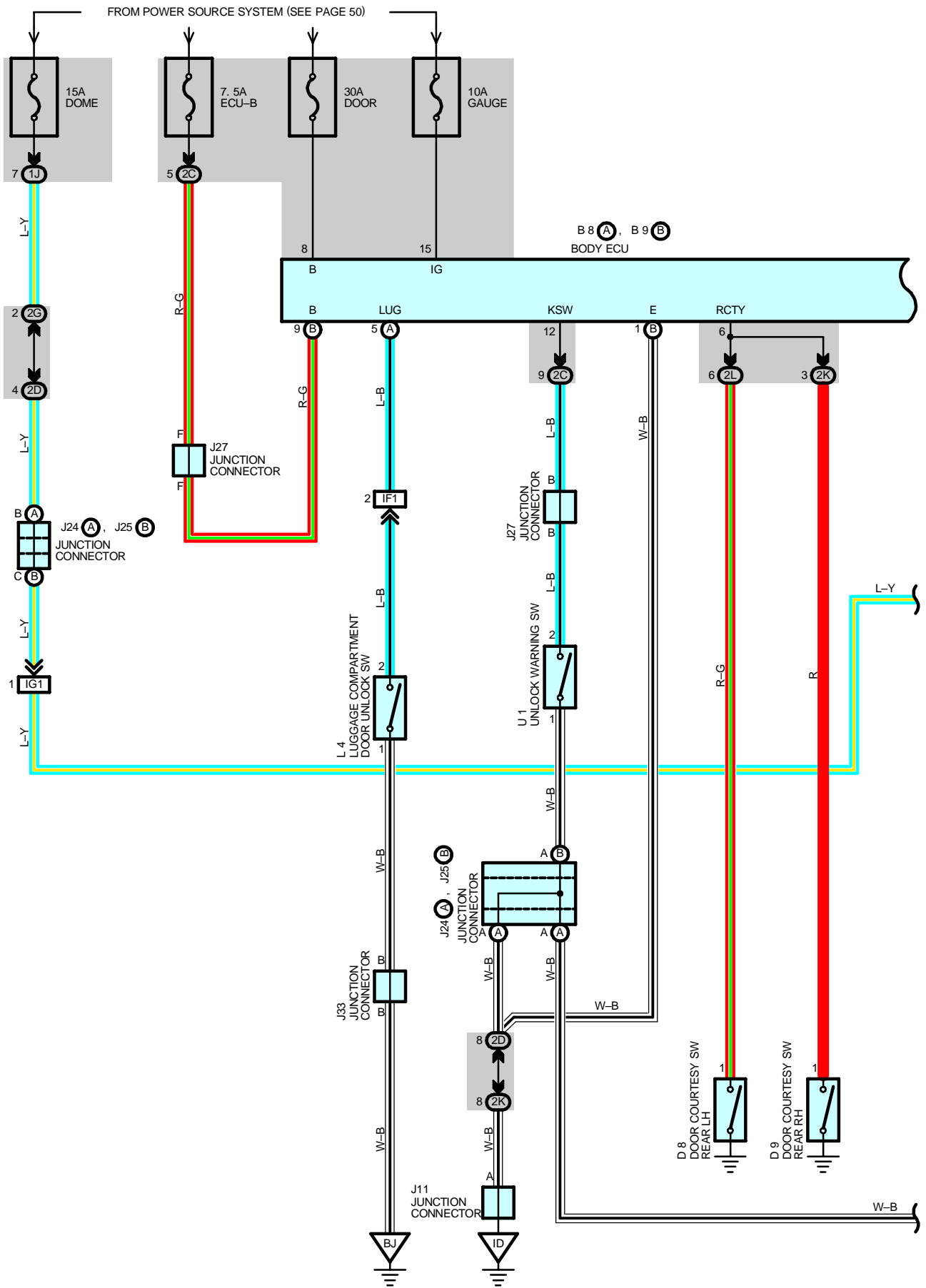
## □ : CONNECTOR JOINING WIRE HARNESS AND WIRE HARNESS

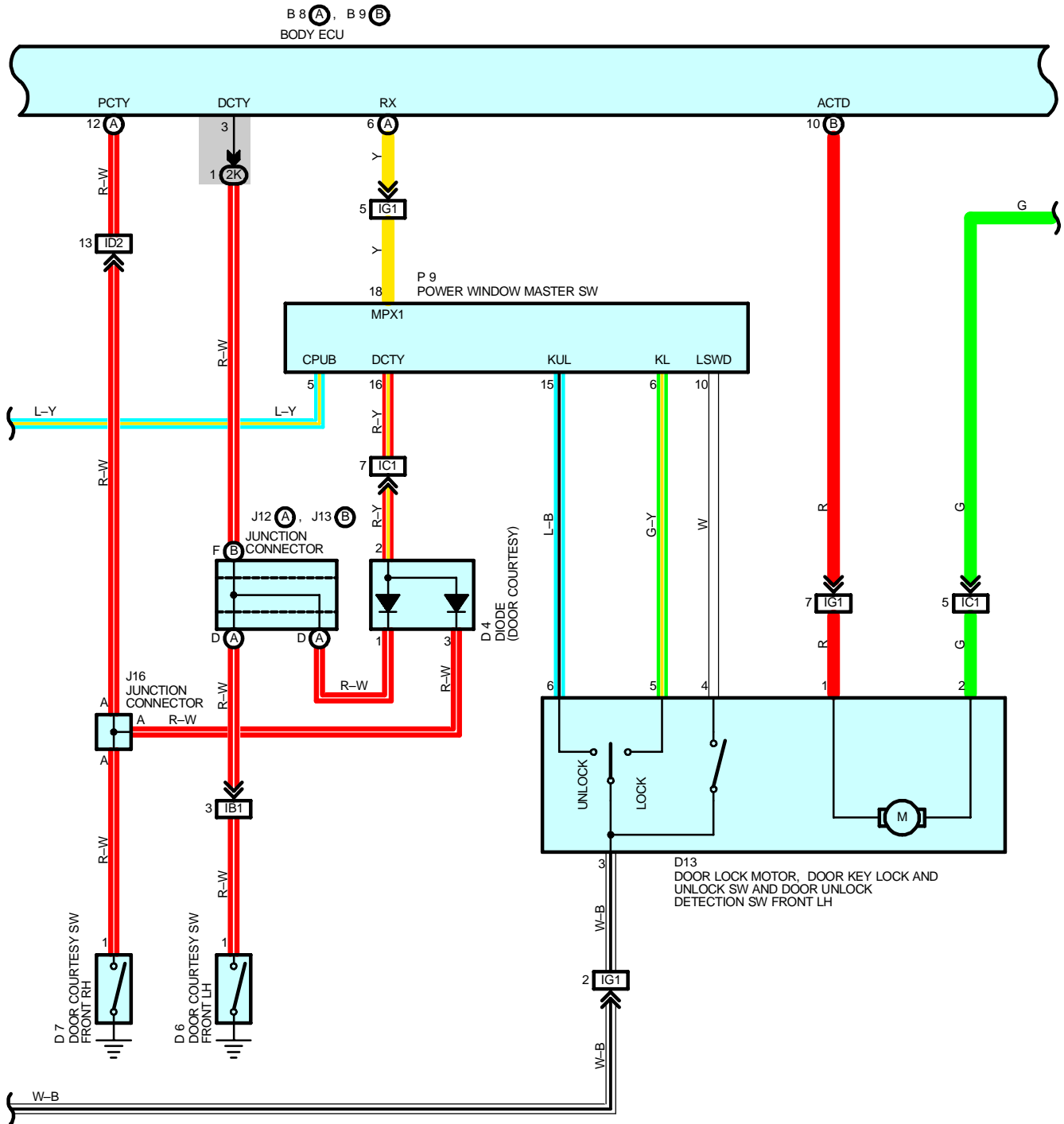
Code	See Page	Joining Wire Harness and Wire Harness (Connector Location)
ID1	42	Instrument Panel Wire and Cowl Wire (Left Kick Panel)
ID2		

## ▽ : GROUND POINTS

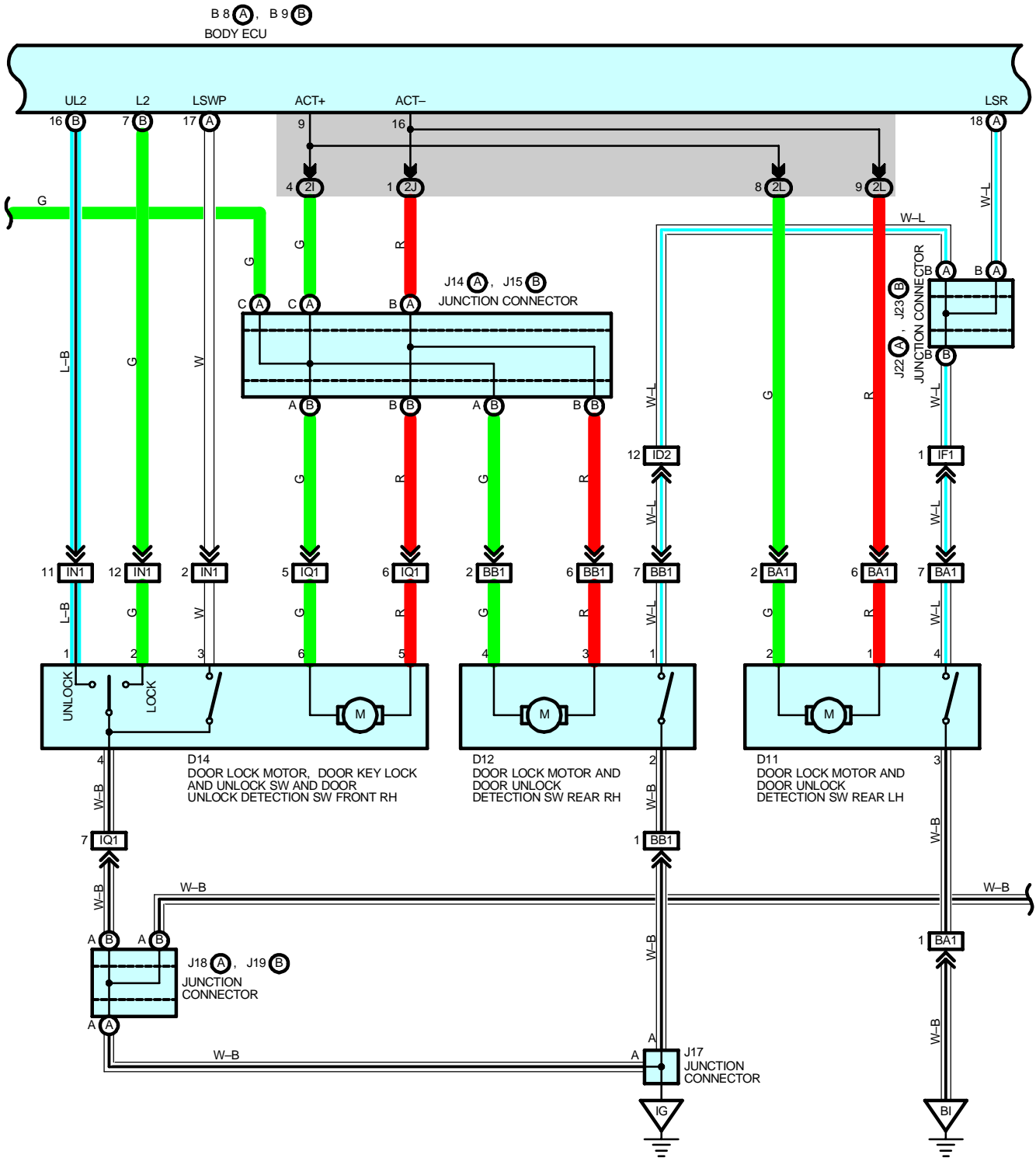
Code	See Page	Ground Points Location
ID	42	Cowl Side Panel LH

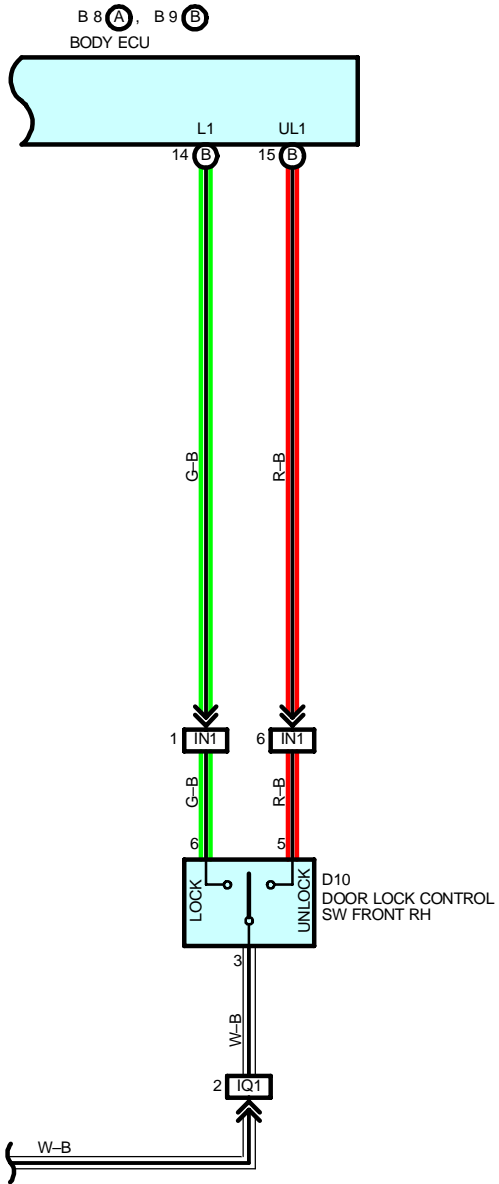
# DOOR LOCK CONTROL





# DOOR LOCK CONTROL





# DOOR LOCK CONTROL

## SYSTEM OUTLINE

The current is always sent from DOOR fuse to TERMINAL B of body ECU. When ignition SW is turned on, the current is sent from GAUGE fuse to TERMINAL IG of the body ECU.

### 1. MANUAL LOCK OPERATION

When the door lock control SW (Power window master SW) is turned to LOCK position, the lock signal from TERMINAL MPX1 of power window master SW is input to TERMINAL RX of body ECU to operate ECU. The current is sent from TERMINAL ACT+ of ECU to each motor and the motor locks the doors by the current sent from TERMINAL ACT- of ECU to GROUND.

### 2. MANUAL UNLOCK OPERATION

When the door lock control SW (Power window master SW) is turned to UNLOCK position, the unlock signal from TERMINAL MPX1 of power window master SW is input to TERMINAL RX of body ECU to operate ECU. The current is sent from TERMINAL ACT- of ECU to each motor and the motor unlocks the doors by the current sent from TERMINAL ACT+ of ECU to GROUND.

### 3. DOOR KEY LOCK AND UNLOCK OPERATION

- \* Lock operation from the driver's side door  
When the driver's side door is locked using the ignition key, all the doors are locked.
- \* Unlock operation from the driver's side door  
When the driver's side door is unlocked once using the ignition key, only the driver's side door is unlocked. If this operation is repeated within 3 seconds, all the other doors are unlocked.
- \* Lock operation from the front passenger's side door  
When the front passenger's side door is locked using the ignition key, all the doors are locked.
- \* Unlock operation from the front passenger's side door  
When the front passenger's side door is unlocked using the ignition key, all the doors are unlocked

## SERVICE HINTS

### B8 (A), B9 (B) BODY ECU

15-GROUND : Approx. 12 volts with the ignition SW at ON position

8-GROUND : Always approx. 12 volts

(B) 1-GROUND : Always continuity

### D6, D7, D8, D9 DOOR COURTESY SW FRONT LH, RH, REAR LH, RH

1-GROUND : Closed with each of the door open

### U1 UNLOCK WARNING SW

1-2 : Closed with the ignition key in the cylinder

## ○ : PARTS LOCATION

Code	See Page	Code	See Page	Code	See Page
B8   A	<a href="#">36</a>	D13	<a href="#">38</a>	J19   B	<a href="#">37</a>
B9   B	<a href="#">36</a>	D14	<a href="#">38</a>	J22   A	<a href="#">37</a>
D4	<a href="#">36</a>	J11	<a href="#">37</a>	J23   B	<a href="#">37</a>
D6	<a href="#">38</a>	J12   A	<a href="#">37</a>	J24   A	<a href="#">37</a>
D7	<a href="#">38</a>	J13   B	<a href="#">37</a>	J25   B	<a href="#">37</a>
D8	<a href="#">38</a>	J14   A	<a href="#">37</a>	J27	<a href="#">37</a>
D9	<a href="#">38</a>	J15   B	<a href="#">37</a>	J33	<a href="#">38</a>
D10	<a href="#">38</a>	J16	<a href="#">37</a>	L4	<a href="#">38</a>
D11	<a href="#">38</a>	J17	<a href="#">37</a>	P9	<a href="#">39</a>
D12	<a href="#">38</a>	J18   A	<a href="#">37</a>	U1	<a href="#">37</a>



 : **JUNCTION BLOCK AND WIRE HARNESS CONNECTOR**

Code	See Page	Junction Block and Wire Harness (Connector Location)
1J	27	Engine Room Main Wire and Engine Room J/B (Engine Compartment Left)
2C	30	Instrument Panel Wire and Instrument Panel J/B (Cowl Side Panel LH)
2D		
2G	31	Engine Room Main Wire and Instrument Panel J/B (Cowl Side Panel LH)
2I	31	Cowl Wire and Instrument Panel J/B (Cowl Side Panel LH)
2J		
2K		
2L	31	Floor Wire and Instrument Panel J/B (Cowl Side Panel LH)

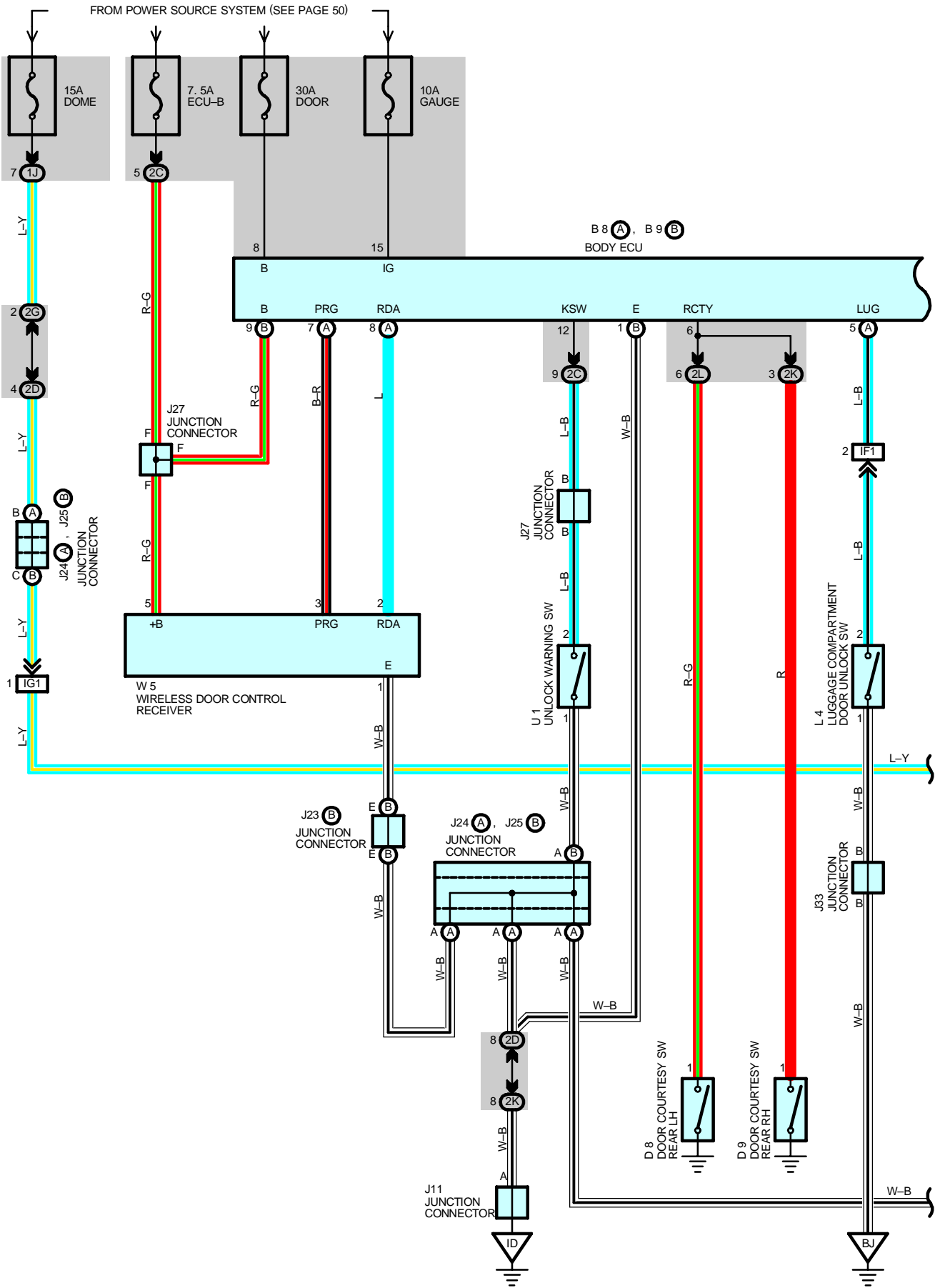
 : **CONNECTOR JOINING WIRE HARNESS AND WIRE HARNESS**

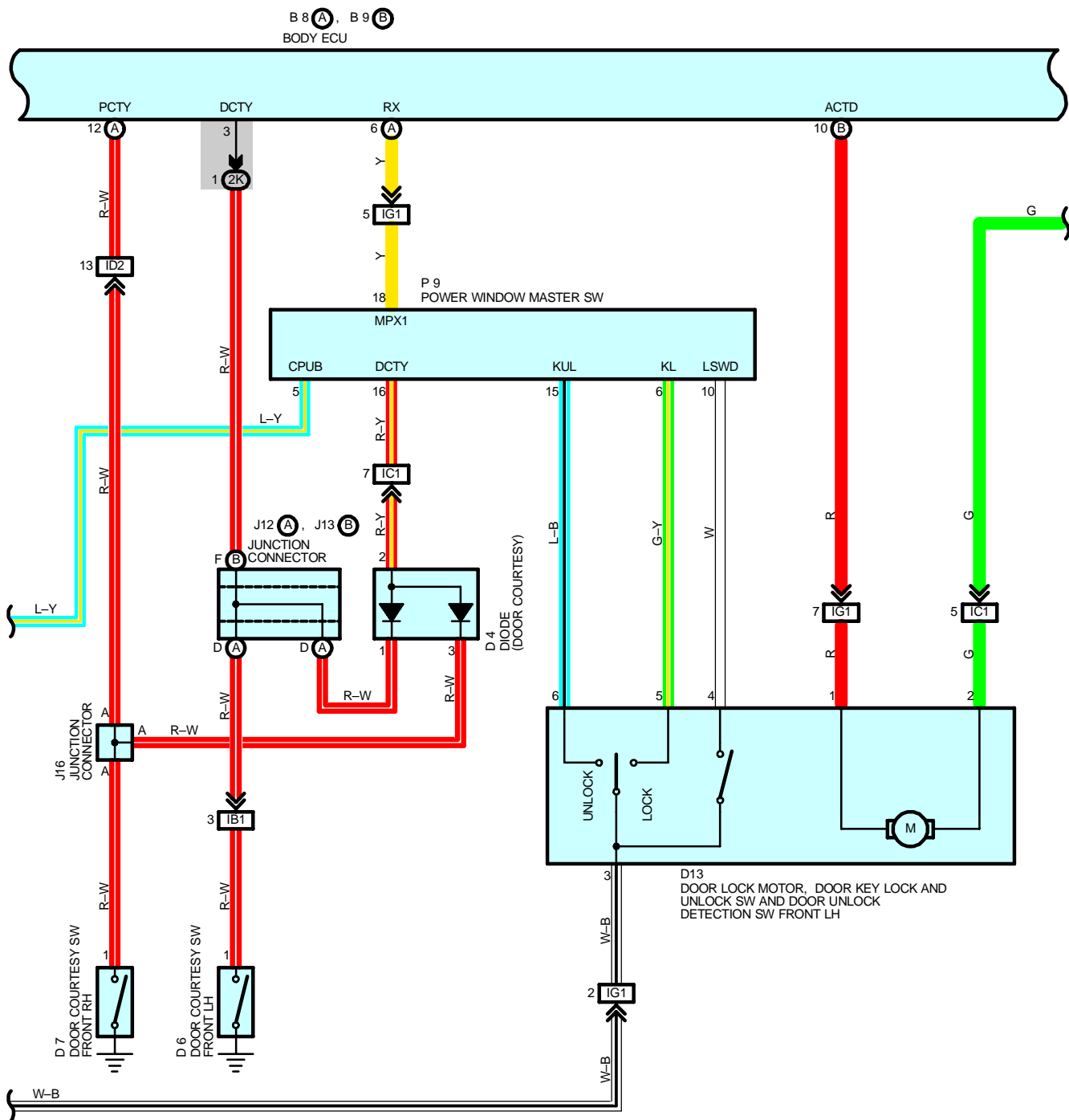
Code	See Page	Joining Wire Harness and Wire Harness (Connector Location)
IB1	42	Floor Wire and Cowl Wire (Cowl Side Panel LH)
IC1	42	Front Door LH Wire and Cowl Wire (Left Kick Panel)
ID2	42	Instrument Panel Wire and Cowl Wire (Left Kick Panel)
IF1	42	Instrument Panel Wire and Floor Wire (Left Kick Panel)
IG1	42	Front Door LH Wire and Instrument Panel Wire (Left Kick Panel)
IN1	44	Front Door RH Wire and Instrument Panel Wire (Right Kick Panel)
IQ1	44	Front Door RH Wire and Cowl Wire (Right Kick Panel)
BA1	46	Rear Door No.2 Wire and Floor Wire (Center Pillar LH)
BB1	46	Rear Door No.1 Wire and Cowl Wire (Center Pillar RH)

 : **GROUND POINTS**

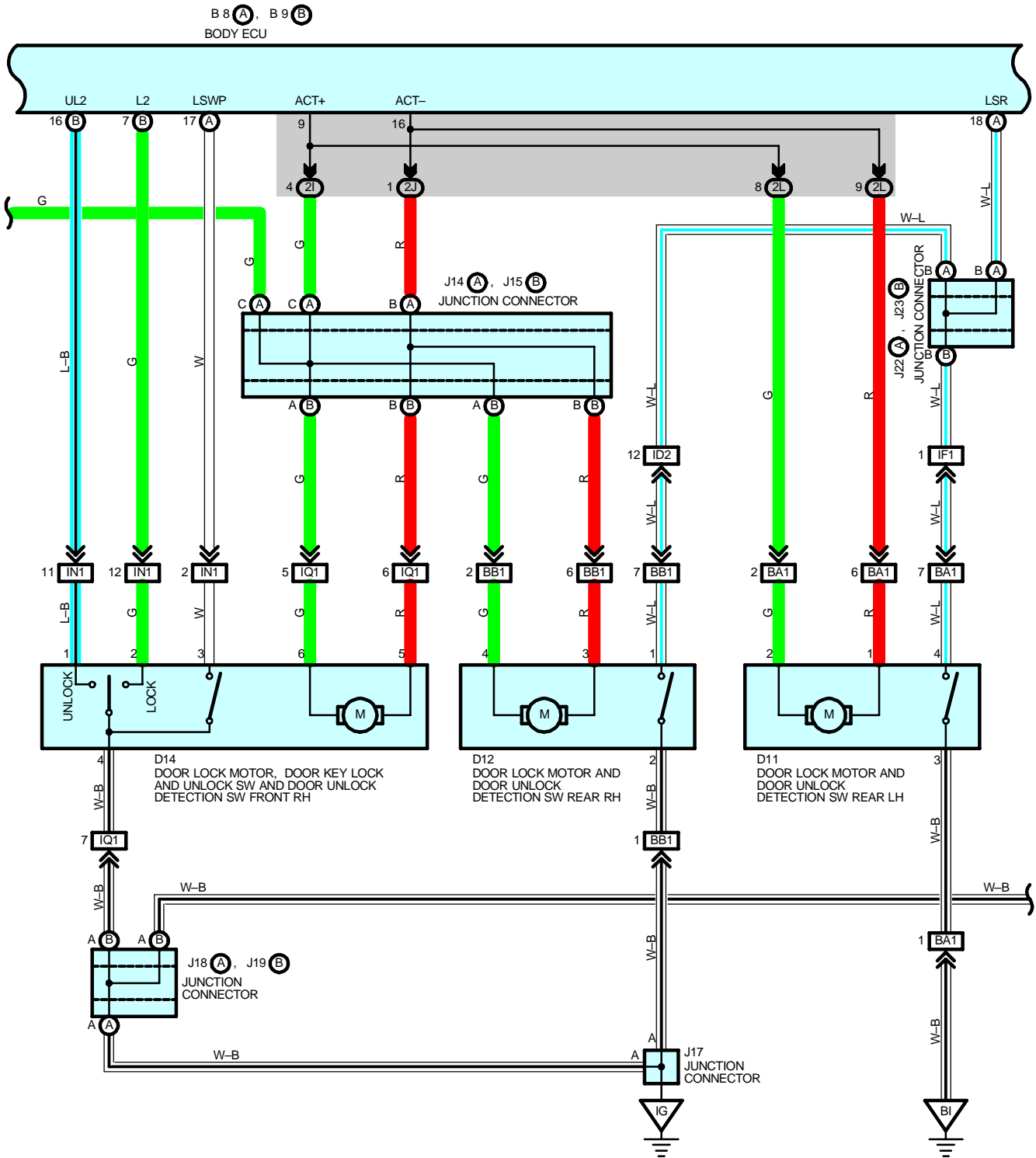
Code	See Page	Ground Points Location
ID	42	Cowl Side Panel LH
IG	42	Cowl Side Panel RH
BI	46	Left Side of Rear Pillar
BJ	46	Right Side of Rear Pillar

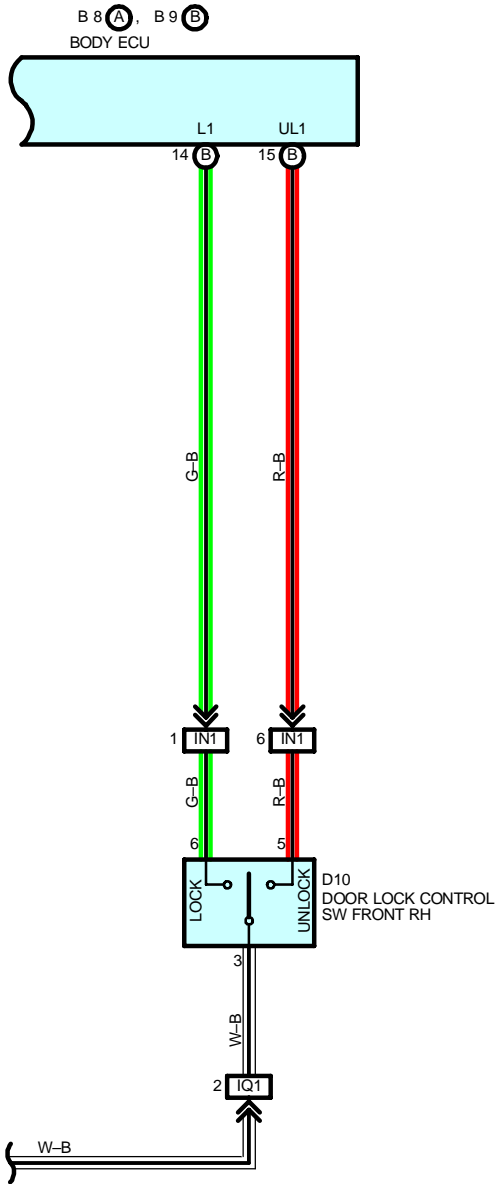
# WIRELESS DOOR LOCK CONTROL





# WIRELESS DOOR LOCK CONTROL





# WIRELESS DOOR LOCK CONTROL

## SYSTEM OUTLINE

The current is always sent from DOOR fuse to TERMINAL B of body ECU. At the same time, the current is always sent from DOME fuse to TERMINAL CPUB of power window master SW, and from ECU-B fuse to wireless door lock receiver. When ignition SW is turned on, the current is sent from GAUGE fuse to TERMINAL IG of body ECU.

### 1. WIRELESS DOOR LOCK OR UNLOCK NORMAL OPERATION

- \* Lock operation  
When the LOCK SW of the transmitter is pushed, all the doors are locked.
- \* Unlock operation  
When the UNLOCK SW of the transmitter is pushed, all the doors are unlocked.

### 2. AUTOMATIC LOCK OPERATION

After all the doors are unlocked by pushing the UNLOCK SW of the transmitter, unless each of the doors is opened or the ignition key is inserted, all the doors are locked again.

### 3. VISUAL CONFIRMATION OF LOCK OR UNLOCK FUNCTION

When doors are locked by using the transmitter, the taillight and parking lights blink once. When doors are unlocked by using the transmitter, the taillights and parking lights blink twice. If UNLOCK SW of the transmitter is pushed while all the doors are locked, doors are unlocked and the room lights are turned on simultaneously.

### 4. WIRELESS CONTROL STOP FUNCTION

If the following situations occur, wireless door lock function does not operate.

- \* When each of the doors opens. (Door courtesy SW is on)
- \* When ignition key is inserted to ignition SW. (Unlock warning SW is on)
- \* When ignition SW is on.

### 5. REPEAT FUNCTION

If the doors are not locked after the lock signal is out put from transmitter by pushing LOCK SW, the lock signal is sent again to lock the doors.

### 6. PANIC MODE FUNCTION

When the panic SW of the transmitter is pushed, the horn comes on, and the headlight and taillight flashes.

## SERVICE HINTS

### B8 (A), B9 (B) BODY ECU

15-GROUND : Approx. 12 volts with the ignition SW at ON position

8-GROUND : Always approx. 12 volts

(B) 1-GROUND : Always continuity

### W5 WIRELESS DOOR LOCK CONTROL RECEIVER

5-GROUND : Always approx. 12 volts

1-GROUND : Always continuity

### U1 UNLOCK WARNING SW

2-1 : Closed with the ignition key in the cylinder

## ○ : PARTS LOCATION

Code	See Page	Code	See Page	Code	See Page
B8	A 36	D14	38	J23	B 37
B9	B 36	J11	37	J24	A 37
D4	36	J12	A 37	J25	B 37
D6	38	J13	B 37	J27	37
D7	38	J14	A 37	J33	38
D8	38	J15	B 37	L4	38
D9	38	J16	37	P9	39
D10	38	J17	37	U1	37
D11	38	J18	A 37	W5	37
D12	38	J19	B 37		
D13	38	J22	A 37		

 : **JUNCTION BLOCK AND WIRE HARNESS CONNECTOR**

Code	See Page	Junction Block and Wire Harness (Connector Location)
1J	27	Engine Room Main Wire and Engine Room J/B (Engine Compartment Left)
2C	30	Instrument Panel Wire and Instrument Panel J/B (Cowl Side Panel LH)
2D		
2G	31	Engine Room Main Wire and Instrument Panel J/B (Cowl Side Panel LH)
2I	31	Cowl Wire and Instrument Panel J/B (Cowl Side Panel LH)
2J		
2K		
2L	31	Floor Wire and Instrument Panel J/B (Cowl Side Panel LH)

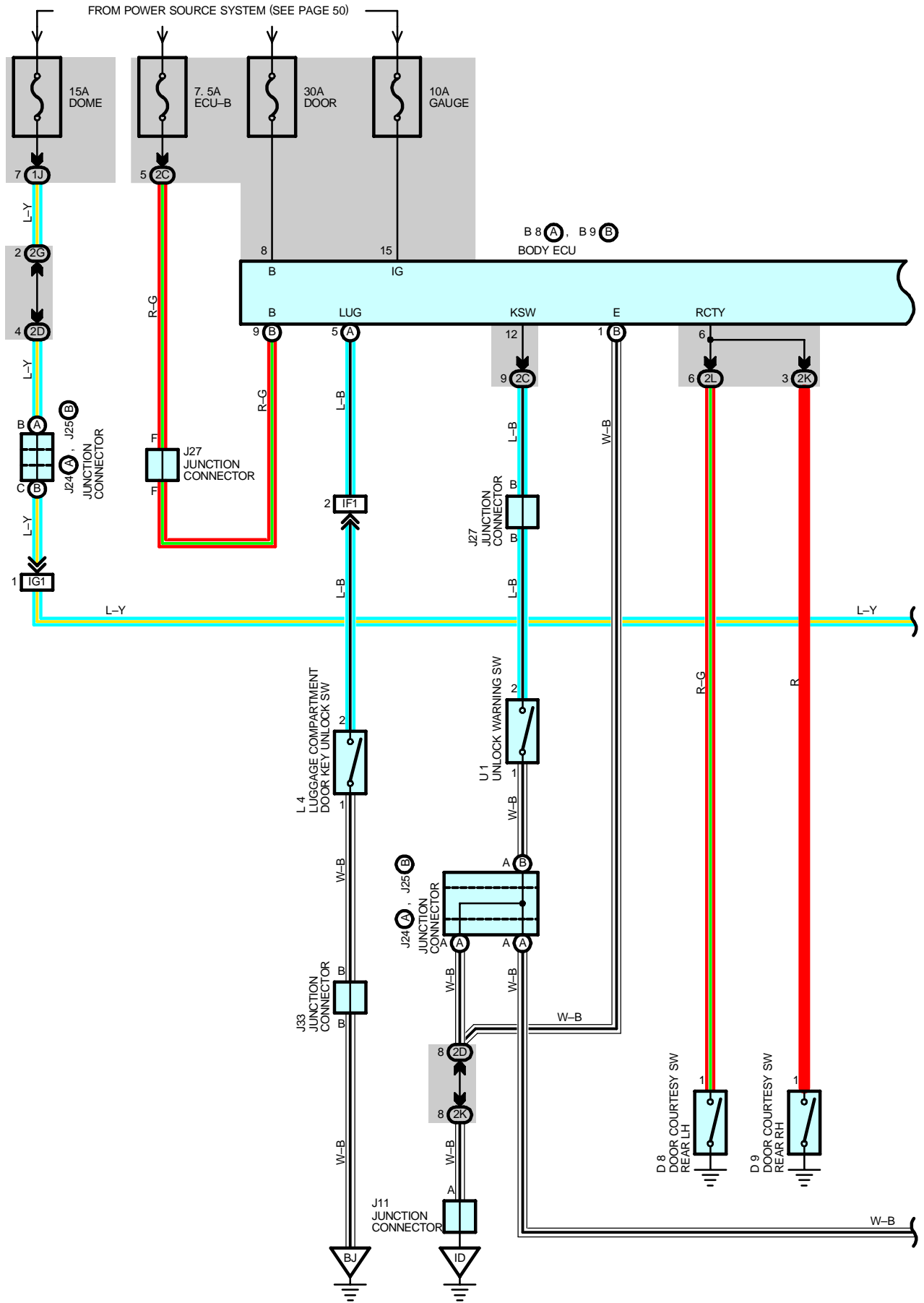
 : **CONNECTOR JOINING WIRE HARNESS AND WIRE HARNESS**

Code	See Page	Joining Wire Harness and Wire Harness (Connector Location)
IB1	42	Floor Wire and Cowl Wire (Cowl Side Panel LH)
IC1	42	Front Door LH Wire and Cowl Wire (Left Kick Panel)
ID2	42	Instrument Panel Wire and Cowl Wire (Left Kick Panel)
IF1	42	Instrument Panel Wire and Floor Wire (Left Kick Panel)
IG1	42	Front Door LH Wire and Instrument Panel Wire (Left Kick Panel)
IN1	44	Front Door RH Wire and Instrument Panel Wire (Right Kick Panel)
IQ1	44	Front Door RH Wire and Cowl Wire (Right Kick Panel)
BA1	46	Rear Door No.2 Wire and Floor Wire (Center Pillar LH)
BB1	46	Rear Door No.1 Wire and Cowl Wire (Center Pillar RH)

 : **GROUND POINTS**

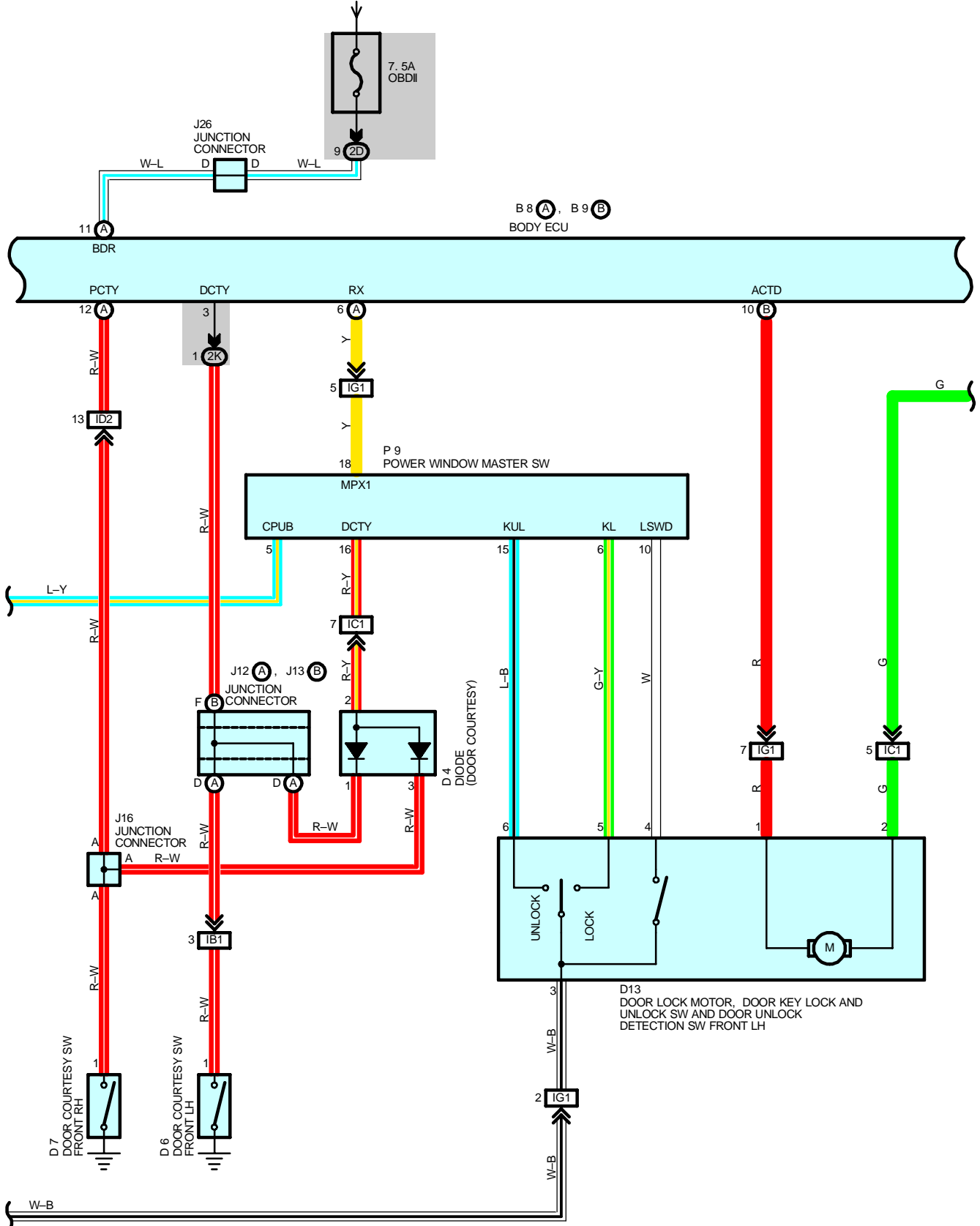
Code	See Page	Ground Points Location
ID	42	Cowl Side Panel LH
IG	42	Cowl Side Panel RH
BI	46	Left Side of Rear Pillar
BJ	46	Right Side of Rear Pillar

# THEFT DETERRENT

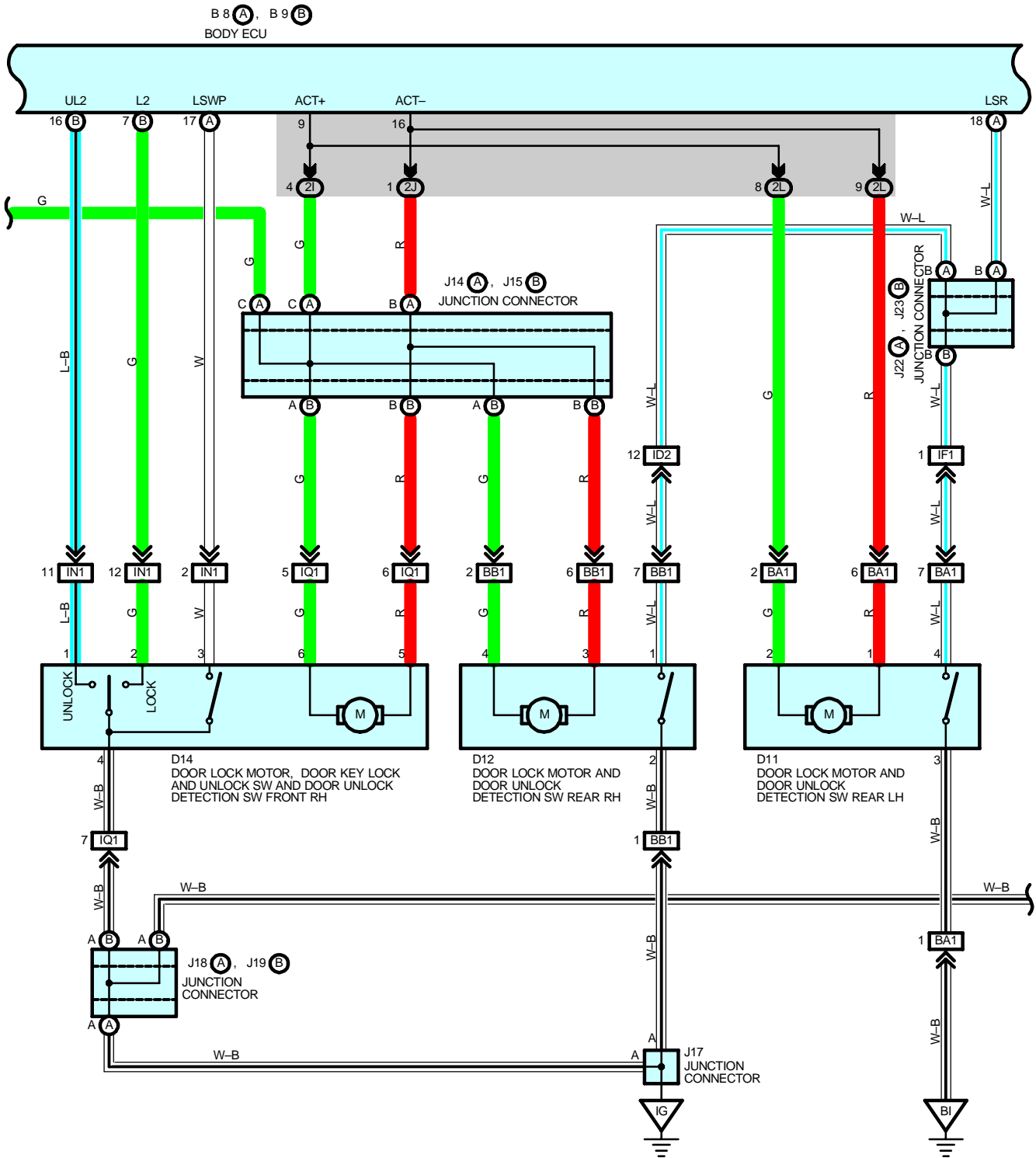




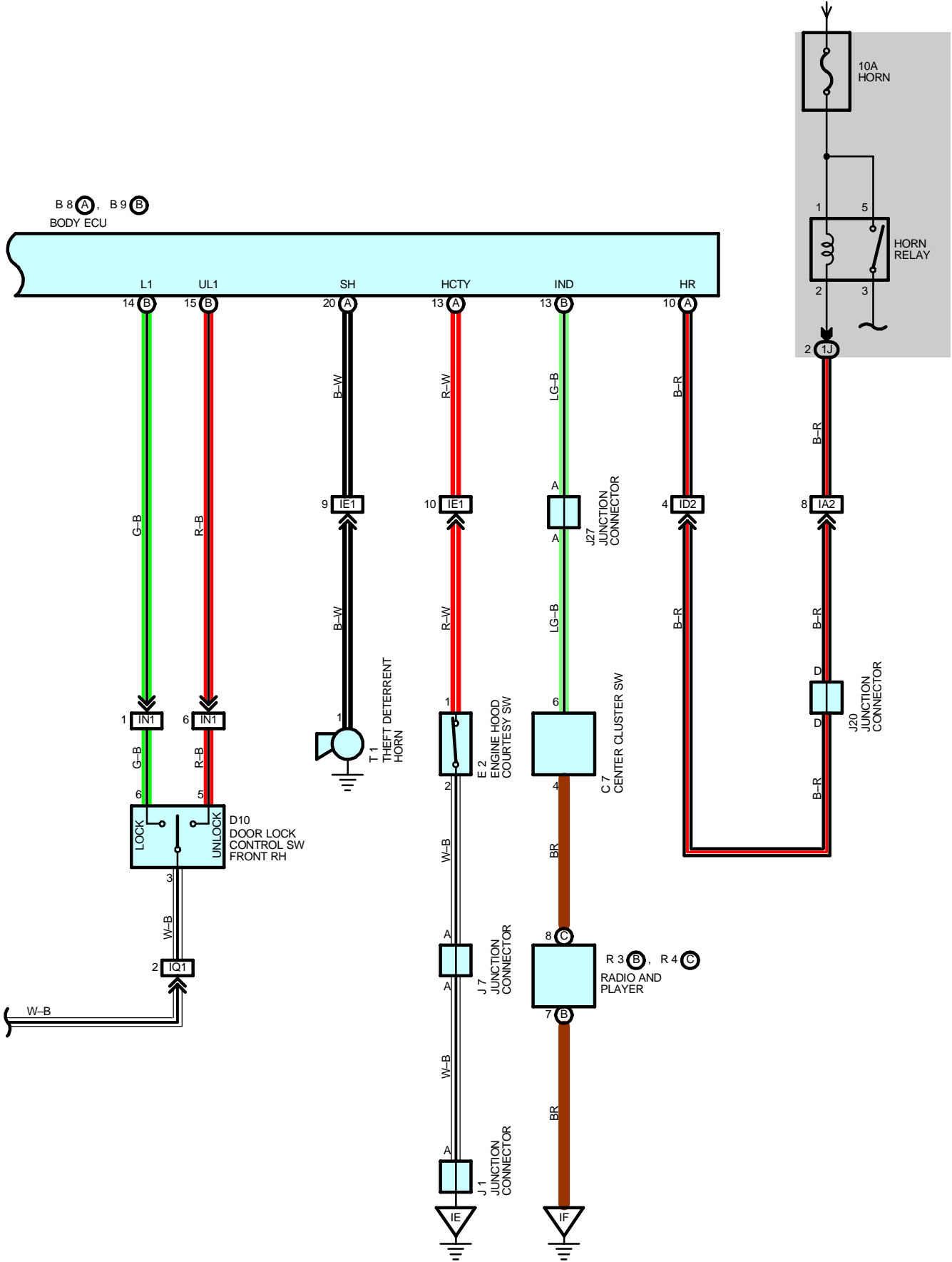
FROM POWER SOURCE SYSTEM (SEE PAGE 50)



# THEFT DETERRENT



FROM POWER SOURCE SYSTEM (SEE PAGE 50)



# THEFT DETERRENT

## SERVICE HINTS

### D13 DOOR KEY LOCK AND UNLOCK SW AND DOOR UNLOCK DETECTION SW FRONT LH

- 6-3 : Closed with door lock cylinder unlocked with key
- 5-3 : Closed with door lock cylinder locked with key

### D14 DOOR KEY LOCK AND UNLOCK SW AND DOOR UNLOCK DETECTION SW FRONT RH

- 1-4 : Closed with door lock cylinder unlocked with key
- 2-4 : Closed with door lock cylinder locked with key

### E2 ENGINE HOOD COURTESY SW

- 2-1 : Open with engine hood open

### U1 UNLOCK WARNING SW

- 2-1 : Closed with ignition key in cylinder

### L4 LUGGAGE COMPARTMENT DOOR KEY UNLOCK SW

- 2-1 : Closed with luggage compartment door lock cylinder unlock

### B8 (A), B9 (B) BODY ECU

- (A)17-GROUND : Continuity with front RH door unlocked
- (B) 1-GROUND : Always continuity
- (A) 5-GROUND : Continuity with luggage compartment door unlocked
- (A)13-GROUND : Continuity with engine hood closed
- (A) 5-GROUND : Continuity with luggage compartment door open
- (A)12-GROUND : Continuity with front RH door open
- (B) 9-GROUND : Always approx. 12 volts
- 8-GROUND : Always approx. 12 volts
- 15-GROUND : Approx. 12 volts with the ignition SW at **ON** position
- 6-GROUND : Continuity with rear LH, RH door open
- 3-GROUND : Continuity with front LH door open

## ○ : PARTS LOCATION

Code	See Page	Code	See Page	Code	See Page
B8   A	36	E2	34	J22   A	37
B9   B	36	J1	37	J23   B	37
C7	36	J7	37	J24   A	37
D4	36	J11	37	J25   B	37
D6	38	J12   A	37	J26	37
D7	38	J13   B	37	J27	37
D8	38	J14   A	37	J33	38
D9	38	J15   B	37	L4	38
D10	38	J16	37	P9	39
D11	38	J17	37	R3   B	37
D12	38	J18   A	37	R4   C	37
D13	38	J19   B	37	T1	35
D14	38	J20	37	U1	37

## ○ : JUNCTION BLOCK AND WIRE HARNESS CONNECTOR

Code	See Page	Junction Block and Wire Harness (Connector Location)
1J	27	Engine Room Main Wire and Engine Room J/B (Engine Compartment Left)
2C	30	Instrument Panel Wire and Instrument Panel J/B (Cowl Side Panel LH)
2D		
2G	31	Engine Room Main Wire and Instrument Panel J/B (Cowl Side Panel LH)
2I	31	Cowl Wire and Instrument Panel J/B (Cowl Side Panel LH)
2J		
2K		
2L	31	Floor Wire and Instrument Panel J/B (Cowl Side Panel LH)

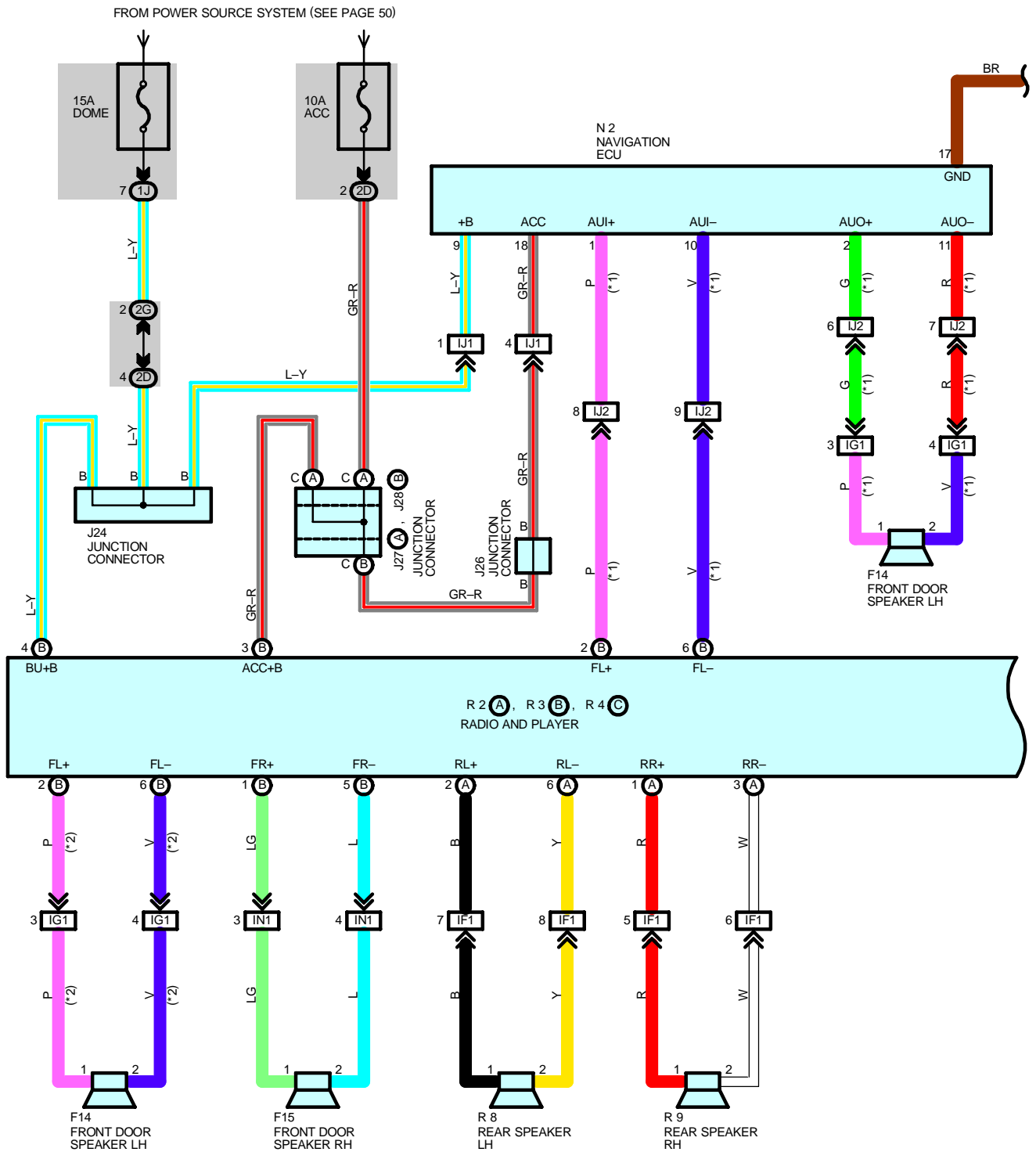
 : CONNECTOR JOINING WIRE HARNESS AND WIRE HARNESS

Code	See Page	Joining Wire Harness and Wire Harness (Connector Location)
IA2	42	Engine Room Main Wire and Cowl Wire (Cowl Side Panel LH)
IB1	42	Floor Wire and Cowl Wire (Cowl Side Panel LH)
IC1	42	Front Door LH Wire and Cowl Wire (Left Kick Panel)
ID2	42	Instrument Panel Wire and Cowl Wire (Left Kick Panel)
IE1	42	Instrument Panel Wire and Engine Room Main Wire (Left Kick Panel)
IF1	42	Instrument Panel Wire and Floor Wire (Left Kick Panel)
IG1	42	Front Door LH Wire and Instrument Panel Wire (Left Kick Panel)
IN1	44	Front Door RH Wire and Instrument Panel Wire (Right Kick Panel)
IQ1	44	Front Door RH Wire and Cowl Wire (Right Kick Panel)
BA1	46	Rear Door No.2 Wire and Floor Wire (Center Pillar LH)
BB1	46	Rear Door No.1 Wire and Cowl Wire (Center Pillar RH)

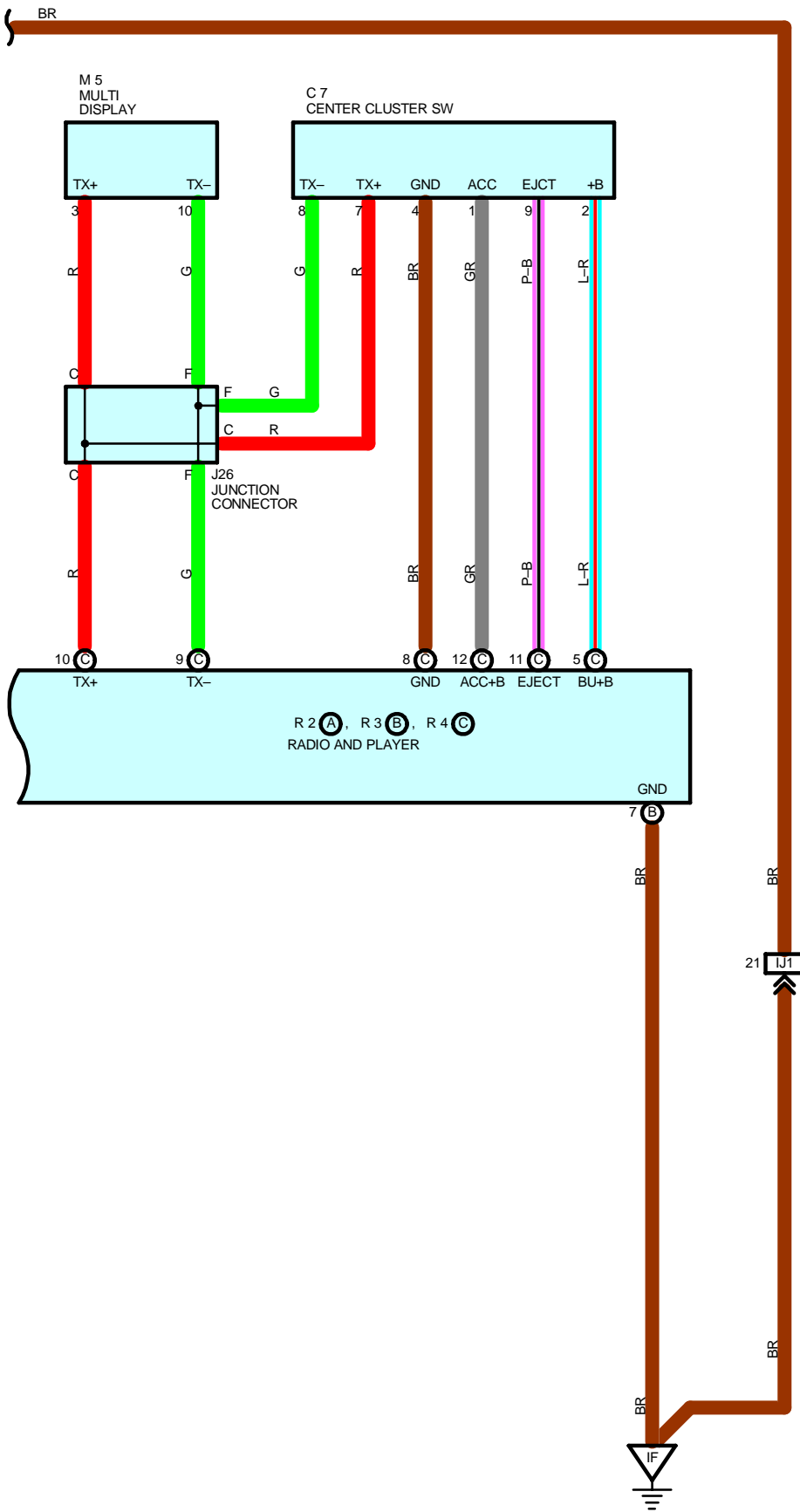
 : GROUND POINTS

Code	See Page	Ground Points Location
ID	42	Cowl Side Panel LH
IE		
IF	42	Left Kick Panel
IG	42	Cowl Side Panel RH
BI	46	Left Side of Rear Pillar
BJ	46	Right Side of Rear Pillar

# RADIO AND PLAYER



\* 1 : W/ NAVIGATION SYSTEM  
 \* 2 : W/O NAVIGATION SYSTEM



# RADIO AND PLAYER

## SERVICE HINTS

### R3 (B) RADIO AND PLAYER

(B)4-GROUND : Always approx. **12** volts

(B)3-GROUND : Approx. **12** volts with the ignition SW at **ON** or **ACC** position

(B)7-GROUND : Always continuity

### N2 NAVIGATION ECU

9-GROUND : Always approx. **12** volts

18-GROUND : Approx. **12** volts with the ignition SW at **ON** or **ACC** position

17-GROUND : Always continuity

## ○ : PARTS LOCATION

Code	See Page	Code	See Page	Code	See Page
C7	<a href="#">36</a>	J27	A <a href="#">37</a>	R3	B <a href="#">37</a>
F14	<a href="#">38</a>	J28	B <a href="#">37</a>	R4	C <a href="#">37</a>
F15	<a href="#">38</a>	M5	<a href="#">37</a>	R8	<a href="#">39</a>
J24	<a href="#">37</a>	N2	<a href="#">39</a>	R9	<a href="#">39</a>
J26	<a href="#">37</a>	R2	A <a href="#">37</a>		

## ○ : JUNCTION BLOCK AND WIRE HARNESS CONNECTOR

Code	See Page	Junction Block and Wire Harness (Connector Location)
1J	<a href="#">27</a>	Engine Room Main Wire and Engine Room J/B (Engine Compartment Left)
2D	<a href="#">30</a>	Instrument Panel Wire and Instrument Panel J/B (Cowl Side Panel LH)
2G	<a href="#">31</a>	Engine Room Main Wire and Instrument Panel J/B (Cowl Side Panel LH)

## □ : CONNECTOR JOINING WIRE HARNESS AND WIRE HARNESS

Code	See Page	Joining Wire Harness and Wire Harness (Connector Location)
IF1	<a href="#">42</a>	Instrument Panel Wire and Floor Wire (Left Kick Panel)
IG1	<a href="#">42</a>	Front Door LH Wire and Instrument Panel Wire (Left Kick Panel)
IJ1	<a href="#">44</a>	Floor No.3 Wire and Instrument Panel Wire (Under the Instrument Panel Center)
IJ2		
IN1	<a href="#">44</a>	Front Door RH Wire and Instrument Panel Wire (Right Kick Panel)

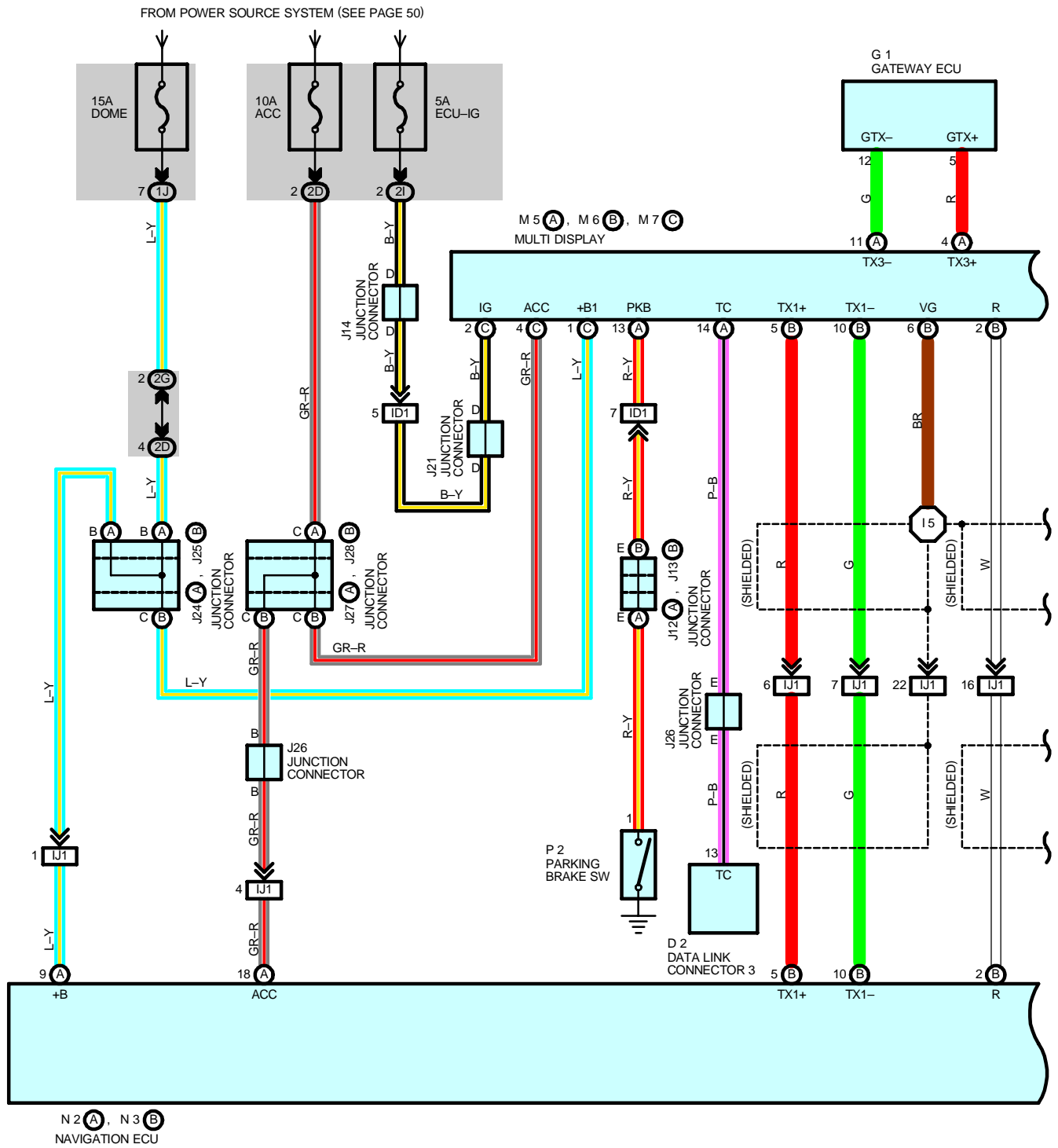
## ▽ : GROUND POINTS

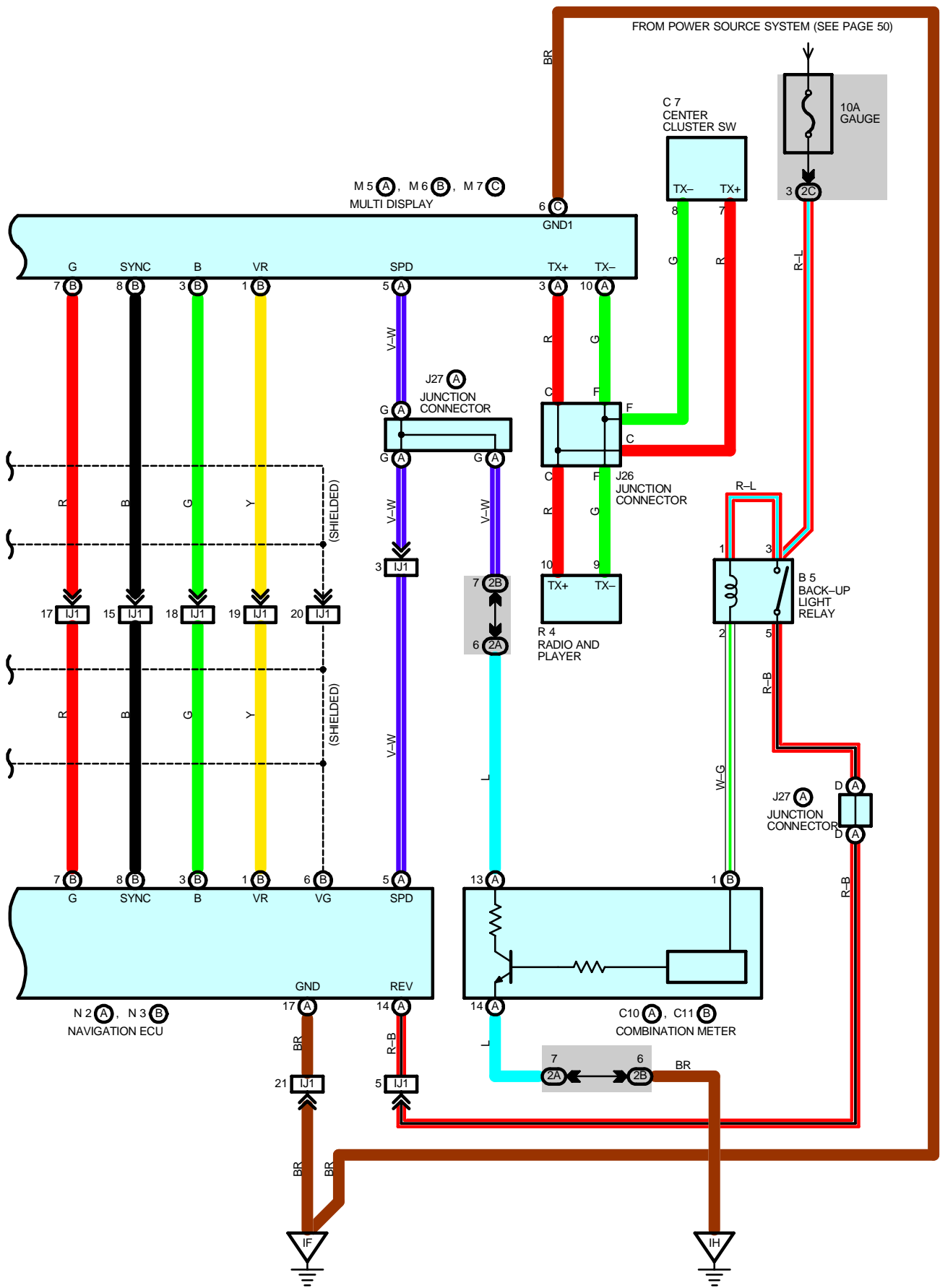
Code	See Page	Ground Points Location
IF	<a href="#">42</a>	Left Kick Panel





# NAVIGATION SYSTEM





# NAVIGATION SYSTEM

## SERVICE HINTS

### N2 (A) NAVIGATION ECU

- (A) 9-GROUND : Always approx. **12** volts
- (A)18-GROUND : Approx. **12** volts with the ignition SW at **ON** or **ACC** position
- (A)17-GROUND : Always continuity

### M7 (C) MULTI DISPLAY

- (C)2-GROUND : Approx. **12** volts with the ignition SW at **ON** position
- (C)4-GROUND : Approx. **12** volts with the ignition SW at **ON** or **ACC** position
- (C)6-GROUND : Always continuity

## ○ : PARTS LOCATION

Code	See Page	Code	See Page	Code	See Page
B5	36	J14	37	M6	B 37
C7	36	J21	37	M7	C 37
C10	A 36	J24	A 37	N2	A 39
C11	B 36	J25	B 37	N3	B 39
D2	36	J26	37	P2	37
G1	37	J27	A 37	R4	37
J12	A 37	J28	B 37		
J13	B 37	M5	A 37		

## ○ : JUNCTION BLOCK AND WIRE HARNESS CONNECTOR

Code	See Page	Junction Block and Wire Harness (Connector Location)
1J	27	Engine Room Main Wire and Engine Room J/B (Engine Compartment Left)
2A	30	Instrument Panel Wire and Instrument Panel J/B (Cowl Side Panel LH)
2B		
2C		
2D		
2G	31	Engine Room Main Wire and Instrument Panel J/B (Cowl Side Panel LH)
2I	31	Cowl Wire and Instrument Panel J/B (Cowl Side Panel LH)

## □ : CONNECTOR JOINING WIRE HARNESS AND WIRE HARNESS

Code	See Page	Joining Wire Harness and Wire Harness (Connector Location)
ID1	42	Instrument Panel Wire and Cowl Wire (Left Kick Panel)
IJ1	44	Floor No.3 Wire and Instrument Panel Wire (Under the Instrument Panel Center)

## ▽ : GROUND POINTS

Code	See Page	Ground Points Location
IF	42	Left Kick Panel
IH	42	Right Kick Panel

## ○ : SPLICE POINTS

Code	See Page	Wire Harness with Splice Points	Code	See Page	Wire Harness with Splice Points
I5	44	Instrument Panel Wire			





**SERVICE HINTS****G1 GATEWAY ECU**

- 8-GROUND : Always approx. **12** volts
- 2-GROUND : Approx. **12** volts with the ignition SW at **ON** position
- 9-GROUND : Approx. **12** volts with the ignition SW at **ACC** or **ON** position
- 7, 14-GROUND : Always continuity

**○ : PARTS LOCATION**

Code	See Page	Code	See Page	Code	See Page
A7	<a href="#">36</a>	J11	<a href="#">37</a>	J24	<a href="#">37</a>
B8	<a href="#">36</a>	J14	<a href="#">37</a>	J27   A	<a href="#">37</a>
C11	<a href="#">36</a>	J21	<a href="#">37</a>	J28   B	<a href="#">37</a>
E10	<a href="#">36</a>	J22   A	<a href="#">37</a>	M5	<a href="#">37</a>
G1	<a href="#">37</a>	J23   B	<a href="#">37</a>		

**○ : JUNCTION BLOCK AND WIRE HARNESS CONNECTOR**

Code	See Page	Junction Block and Wire Harness (Connector Location)
2C	<a href="#">30</a>	Instrument Panel Wire and Instrument Panel J/B (Cowl Side Panel LH)
2D		
2I	<a href="#">31</a>	Cowl Wire and Instrument Panel J/B (Cowl Side Panel LH)
2K		

**□ : CONNECTOR JOINING WIRE HARNESS AND WIRE HARNESS**

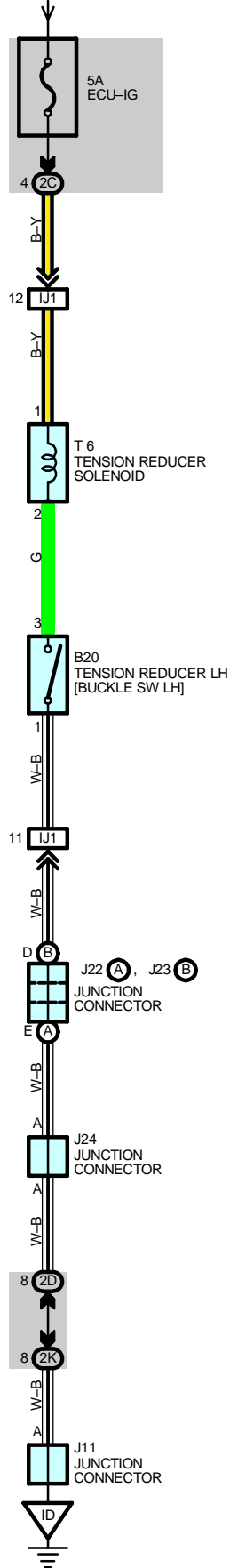
Code	See Page	Joining Wire Harness and Wire Harness (Connector Location)
ID1	<a href="#">42</a>	Instrument Panel Wire and Cowl Wire (Left Kick Panel)

**▽ : GROUND POINTS**

Code	See Page	Ground Points Location
ID	<a href="#">42</a>	Cowl Side Panel LH

# ELECTRIC TENSION REDUCER

FROM POWER SOURCE SYSTEM (SEE PAGE 50)





## SERVICE HINTS

### T6 TENSION REDUCER SOLENOID

1-GROUND : Approx. 12 volts with the ignition SW at **ON** position

### B20 TENSION REDUCER LH [BUCKLE SW LH]

1-3 : Closed with driver's seat belt in use

## : PARTS LOCATION

Code	See Page	Code	See Page	Code	See Page	
B20	<a href="#">38</a>	J22	A	<a href="#">37</a>	J24	<a href="#">37</a>
J11	<a href="#">37</a>	J23	B	<a href="#">37</a>	T6	<a href="#">39</a>

## : JUNCTION BLOCK AND WIRE HARNESS CONNECTOR

Code	See Page	Junction Block and Wire Harness (Connector Location)
2C	<a href="#">30</a>	Instrument Panel Wire and Instrument Panel J/B (Cowl Side Panel LH)
2D		
2K	<a href="#">31</a>	Cowl Wire and Instrument Panel J/B (Cowl Side Panel LH)

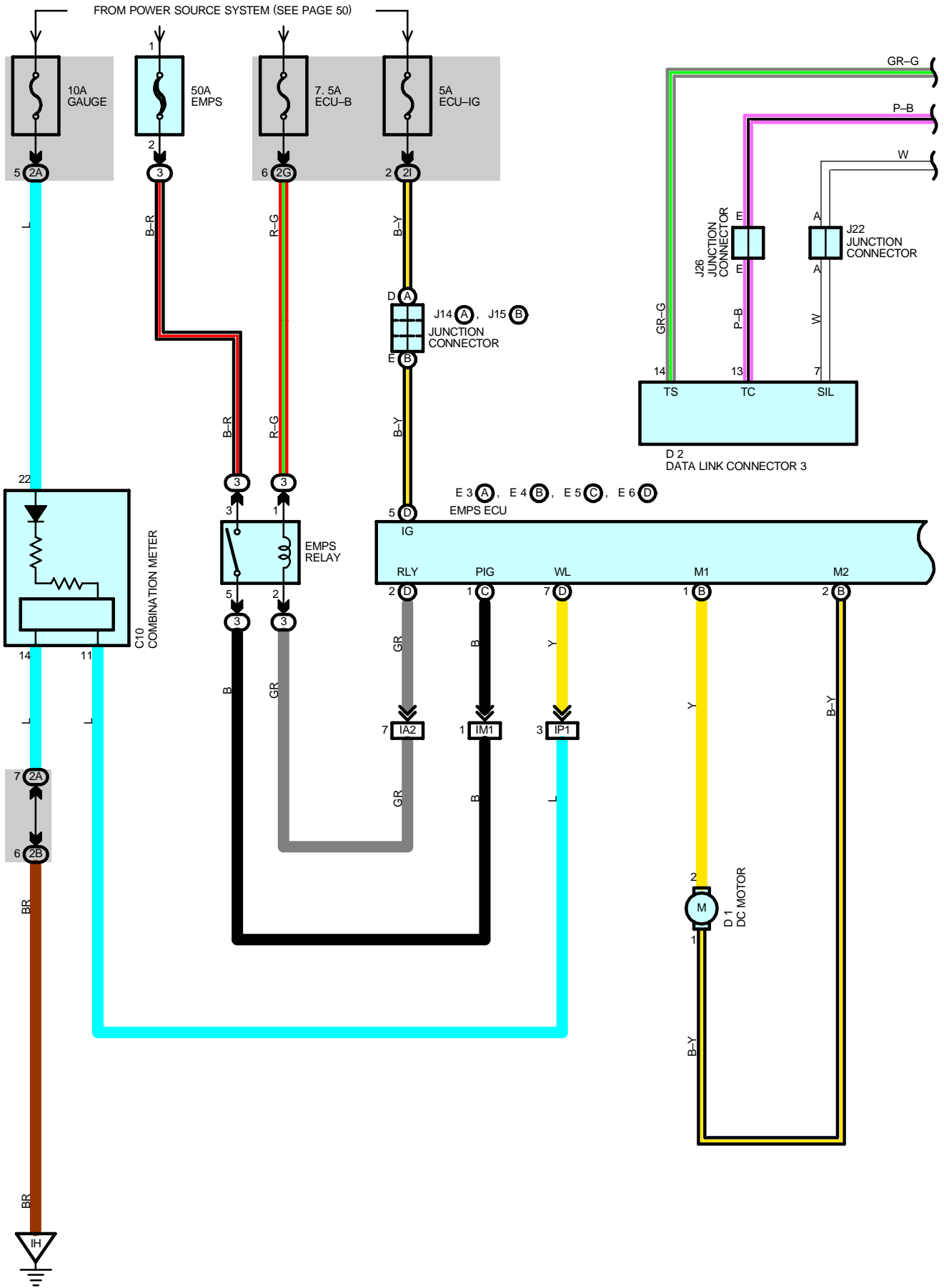
## : CONNECTOR JOINING WIRE HARNESS AND WIRE HARNESS

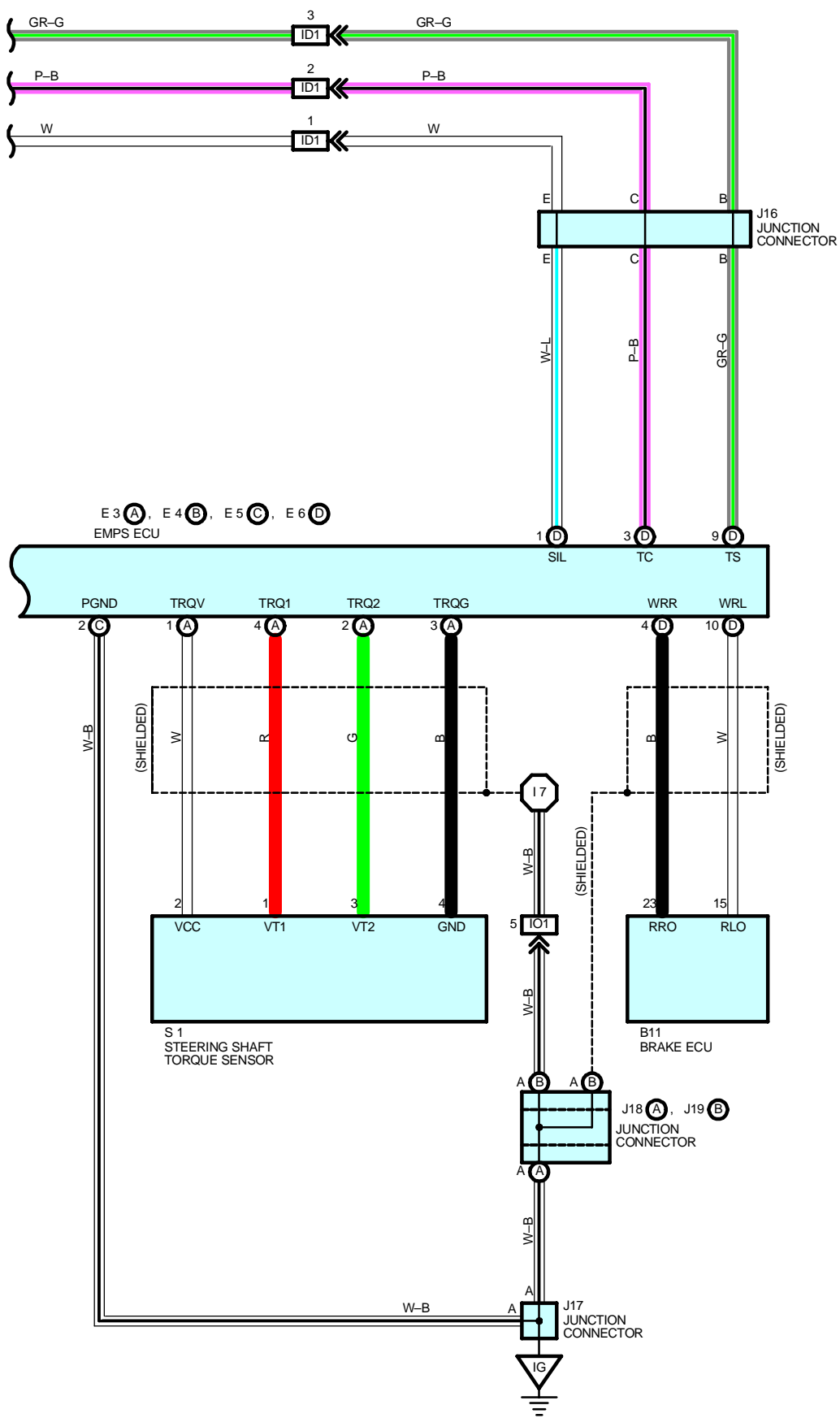
Code	See Page	Joining Wire Harness and Wire Harness (Connector Location)
IJ1	<a href="#">44</a>	Floor No.3 Wire and Instrument Panel Wire (Under the Instrument Panel Center)

## : GROUND POINTS

Code	See Page	Ground Points Location
ID	<a href="#">42</a>	Cowl Side Panel LH

# EMPS





# EMPS

## SYSTEM OUTLINE

In this system, the controller determines the direction and the amount of the assistant force based on the signals from the vehicle speed sensor and the torque sensor that is built in the gear box. The controller then assists the operation of the steering wheel by controlling the DC motor installed in the steering gear box.

## SERVICE HINTS

### E5 (C), E6 (D) EMPS ECU

(D) 5-GROUND : Approx. 12 volts with the ignition SW at **ON** position

(C) 2-GROUND : Always continuity

## ○ : PARTS LOCATION

Code	See Page	Code	See Page	Code	See Page		
B11	36	E5	C	36	J18	A	37
C10	36	E6	D	36	J19	B	37
D1	34	J14	A	37	J22		37
D2	36	J15	B	37	J26		37
E3	A	36	J16	37	S1		35
E4	B	36	J17	37			

## ○ : RELAY BLOCKS

Code	See Page	Relay Blocks (Relay Block Location)
3	24	Engine Room R/B No.3 (Engine Compartment Right)

## ○ : JUNCTION BLOCK AND WIRE HARNESS CONNECTOR

Code	See Page	Junction Block and Wire Harness (Connector Location)
2A	30	Instrument Panel Wire and Instrument Panel J/B (Cowl Side Panel LH)
2B		
2G	31	Engine Room Main Wire and Instrument Panel J/B (Cowl Side Panel LH)
2I	31	Cowl Wire and Instrument Panel J/B (Cowl Side Panel LH)

## □ : CONNECTOR JOINING WIRE HARNESS AND WIRE HARNESS

Code	See Page	Joining Wire Harness and Wire Harness (Connector Location)
IA2	42	Engine Room Main Wire and Cowl Wire (Cowl Side Panel LH)
ID1	42	Instrument Panel Wire and Cowl Wire (Left Kick Panel)
IM1	44	Engine Room Main Wire and Cowl Wire (Right Kick Panel)
IO1	44	Engine Wire and Cowl Wire (Right Kick Panel)
IP1	44	Instrument Panel Wire and Cowl Wire (Right Kick Panel)

## ▽ : GROUND POINTS

Code	See Page	Ground Points Location
IG	42	Cowl Side Panel RH
IH	42	Right Kick Panel

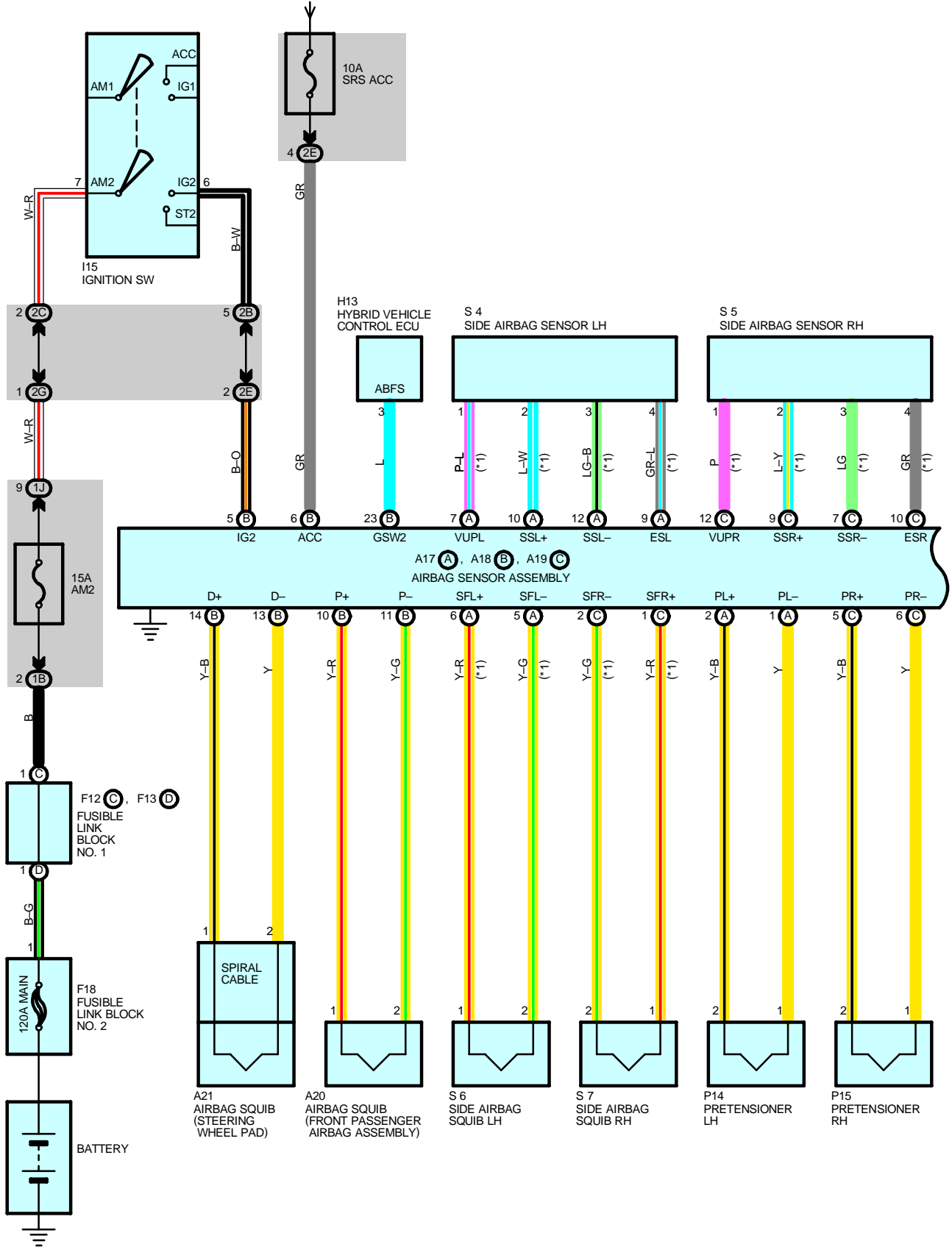
## ○ : SPLICE POINTS

Code	See Page	Wire Harness with Splice Points	Code	See Page	Wire Harness with Splice Points
I7	44	Engine Wire			

NOTICE: When inspecting or repairing the SRS, perform the operation in accordance with the following precautionary instructions and the procedure and precautions in the Repair Manual for the applicable model year.

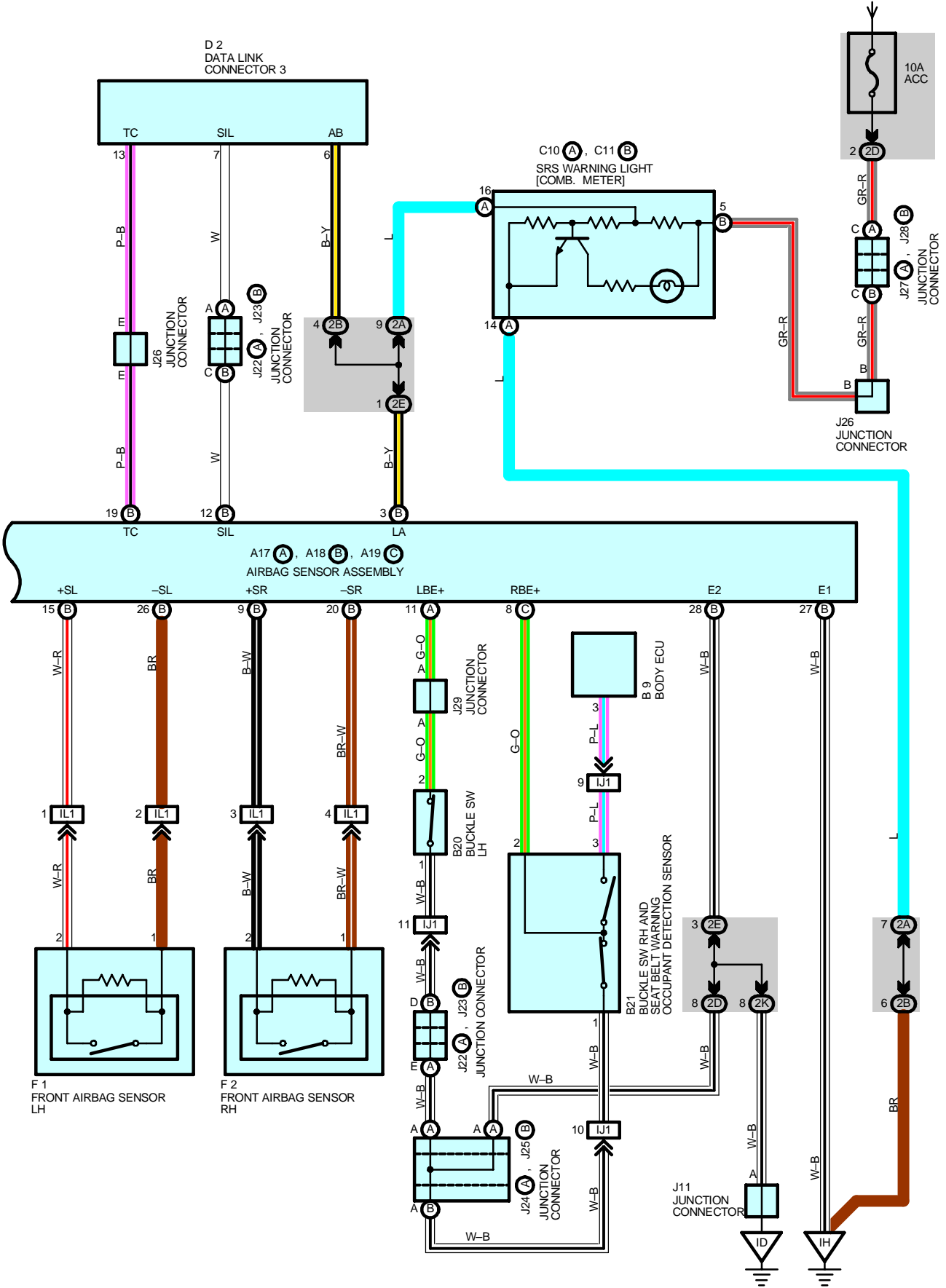
- Malfunction symptoms of the SRS are difficult to confirm, so the DTCs become the most important source of information when troubleshooting. When troubleshooting the SRS, always inspect the DTCs before disconnecting the battery.
- **Work must be started after 90 seconds from when the ignition switch is turned to the "LOCK" position and the negative (-) terminal cable is disconnected from the battery.**  
**(The SRS is equipped with a back-up power source so that if work is started within 90 seconds from disconnecting the negative (-) terminal cable of the battery, the SRS may be deployed.)**
- When the negative (-) terminal cable is disconnected from the battery, the memory of the clock and audio system will be canceled. So before starting work, make a record of the contents memorized in the audio memory system. When work is finished, reset the audio systems as they were before and adjust the clock. To avoid erasing the memory in each memory system, never use a back-up power supply from outside the vehicle.
- Before repairs, remove the airbag sensor if shocks are likely to be applied to the sensor during repairs.
- Do not expose the steering wheel pad, front passenger airbag assembly, side airbag assembly, seat belt pretensioner, airbag sensor assembly or side airbag sensor directly to hot air or flames.
- Even in cases of a minor collision where the SRS does not deploy, the steering wheel pad, front passenger airbag assembly, side airbag assembly, seat belt pretensioner, airbag sensor assembly and side airbag sensor assembly should be inspected.
- Never use SRS parts from another vehicle. When replacing parts, replace them with new parts.
- Never disassemble and repair the steering wheel pad, front passenger airbag assembly, side airbag assembly, seat belt pretensioner, airbag sensor assembly or side airbag sensor assembly in order to reuse it.
- If the steering wheel pad, front passenger airbag assembly, side airbag assembly, seat belt pretensioner, airbag sensor assembly or side airbag sensor assembly has been dropped, or if there are cracks, dents or other defects in the case, bracket or connector, replace them with new ones.
- Use a volt/ohmmeter with high impedance (10 k $\Omega$ /V minimum) for troubleshooting the system's electrical circuits.
- Information labels are attached to the periphery of the SRS components. Follow the instructions on the notices.
- After work on the SRS is completed, perform the SRS warning light check.
- If the vehicle is equipped with a mobile communication system, refer to the precaution in the IN section of the Repair Manual.

FROM POWER SOURCE SYSTEM (SEE PAGE 50)



\* 1 : W/ SIDE AIRBAGS

FROM POWER SOURCE SYSTEM (SEE PAGE 50)



## SYSTEM OUTLINE

The SRS is a driver and front passenger protection device which has a supplemental role to the seat belts. When the ignition SW is turned to ACC or ON, current from the SRS ACC fuse flows to TERMINAL (B) 6 of the airbag sensor assembly. Only when the ignition SW is on does the current flow TERMINAL (B) 5 of the airbag sensor assembly. If an accident occurs while driving, when the frontal impact exceeds a set level, current flows to TERMINALS (B) 14, (B) 10, (A) 2 and (C) 5 of the airbag sensor assembly to TERMINAL 1 of the airbag squibs and the pretensioners to TERMINAL 2 to TERMINALS (B) 13, (B) 11, (A) 1 and (C) 6 of the airbag sensor assembly to TERMINAL (B) 27, (B) 28 or BODY GROUND to GROUND, so that current flows to the front airbag squibs and the pretensioners and causes them to operate. When the side impact also exceeds a set level, current from the ignition SW (IG2) or SRS ACC fuse flows to TERMINALS (A) 5, (C) 2, (A) 2 and (C) 5 of the airbag sensor assembly to TERMINAL 1 of the side airbag squibs and the pretensioners to TERMINAL 2 to TERMINALS (A) 6, (C) 1, (A) 1 and (C) 6 of the airbag sensor assembly to TERMINAL (B) 27, (B) 28 or BODY GROUND to GROUND, causing side airbag squibs and the pretensioners to operate. The airbag stored inside the steering wheel pad is instantaneously expanded to soften the shock to the driver. The airbag stored inside the passenger's instrument panel is instantaneously expanded to soften the shock to the front passenger. Side airbags are instantaneously expanded to soften the shock of side to the driver and front passenger (w/ side airbags). The pretensioners make sure of the seat belt restrainability.

## ○ : PARTS LOCATION

Code	See Page	Code	See Page	Code	See Page
A17	A 36	F1	34	J25	B 37
A18	B 36	F2	34	J26	37
A19	C 36	F12	C 34	J27	A 37
A20	36	F13	D 34	J28	B 37
A21	36	F18	38	J29	37
B9	36	H13	37	P14	39
B20	38	I15	37	P15	39
B21	38	J11	37	S4	39
C10	A 36	J22	A 37	S5	39
C11	B 36	J23	B 37	S6	39
D2	36	J24	A 37	S7	39

## ○ : JUNCTION BLOCK AND WIRE HARNESS CONNECTOR

Code	See Page	Junction Block and Wire Harness (Connector Location)
1B	27	Engine Room Main Wire and Engine Room J/B (Engine Compartment Left)
1J		
2A	30	Instrument Panel Wire and Instrument Panel J/B (Cowl Side Panel LH)
2B		
2C		
2D		
2E		
2G	31	Engine Room Main Wire and Instrument Panel J/B (Cowl Side Panel LH)
2K	31	Cowl Wire and Instrument Panel J/B (Cowl Side Panel LH)

## □ : CONNECTOR JOINING WIRE HARNESS AND WIRE HARNESS

Code	See Page	Joining Wire Harness and Wire Harness (Connector Location)
IJ1	44	Floor No.3 Wire and Instrument Panel Wire (Under the Instrument Panel Center)
IL1	44	Instrument Panel Wire and Engine Room Main Wire (Right Kick Panel)

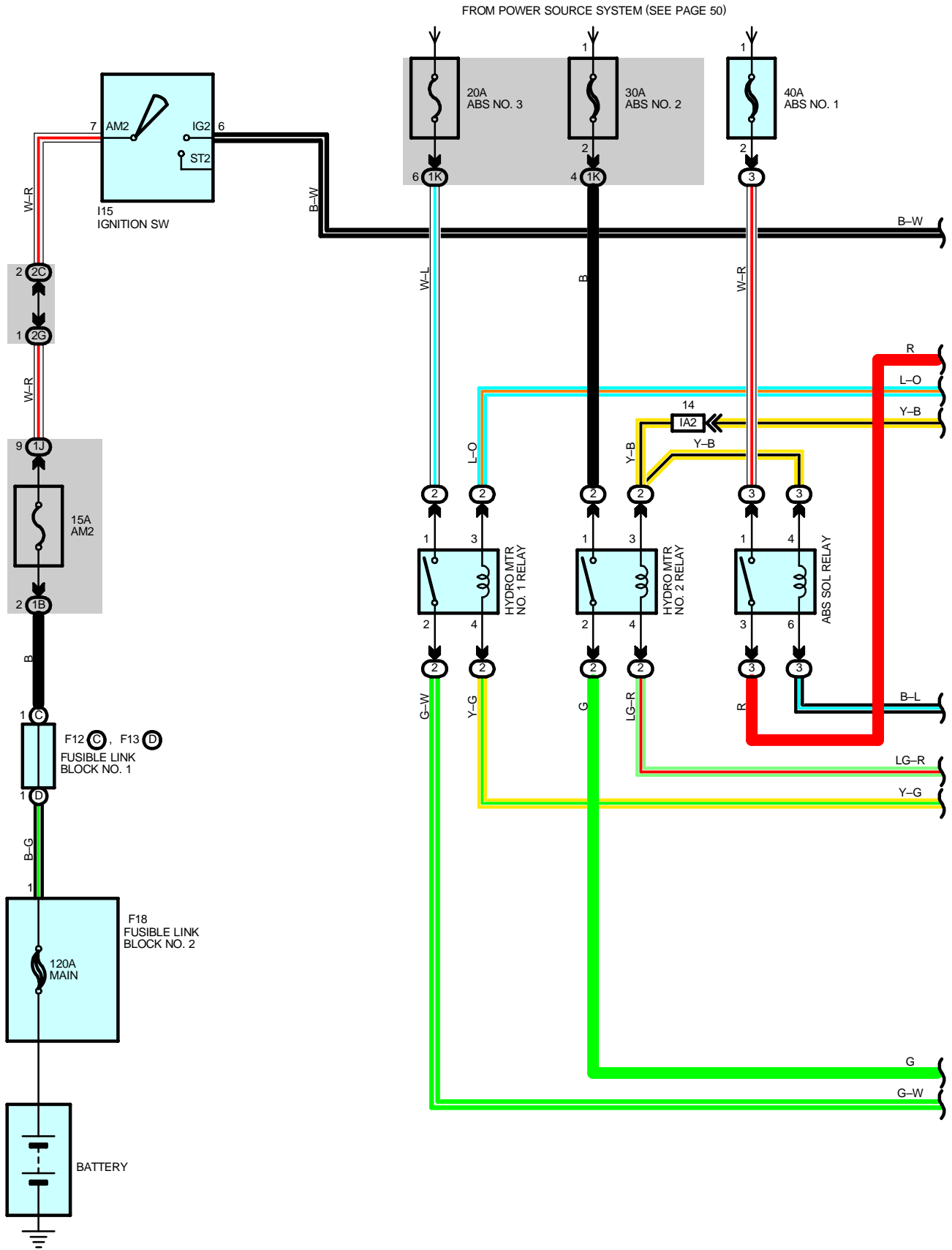
## ▽ : GROUND POINTS

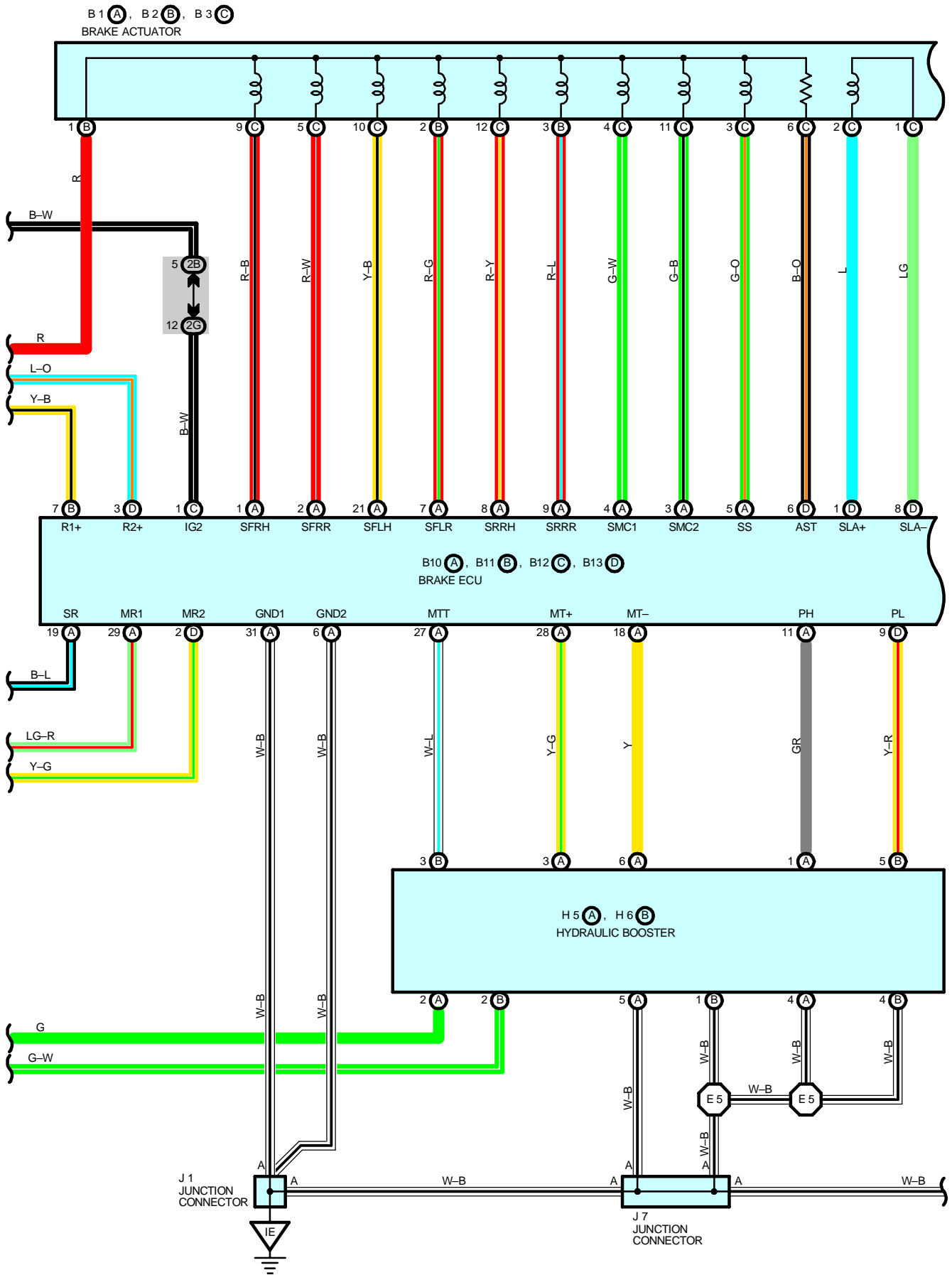
Code	See Page	Ground Points Location
ID	42	Cowl Side Panel LH
IH	42	Right Kick Panel



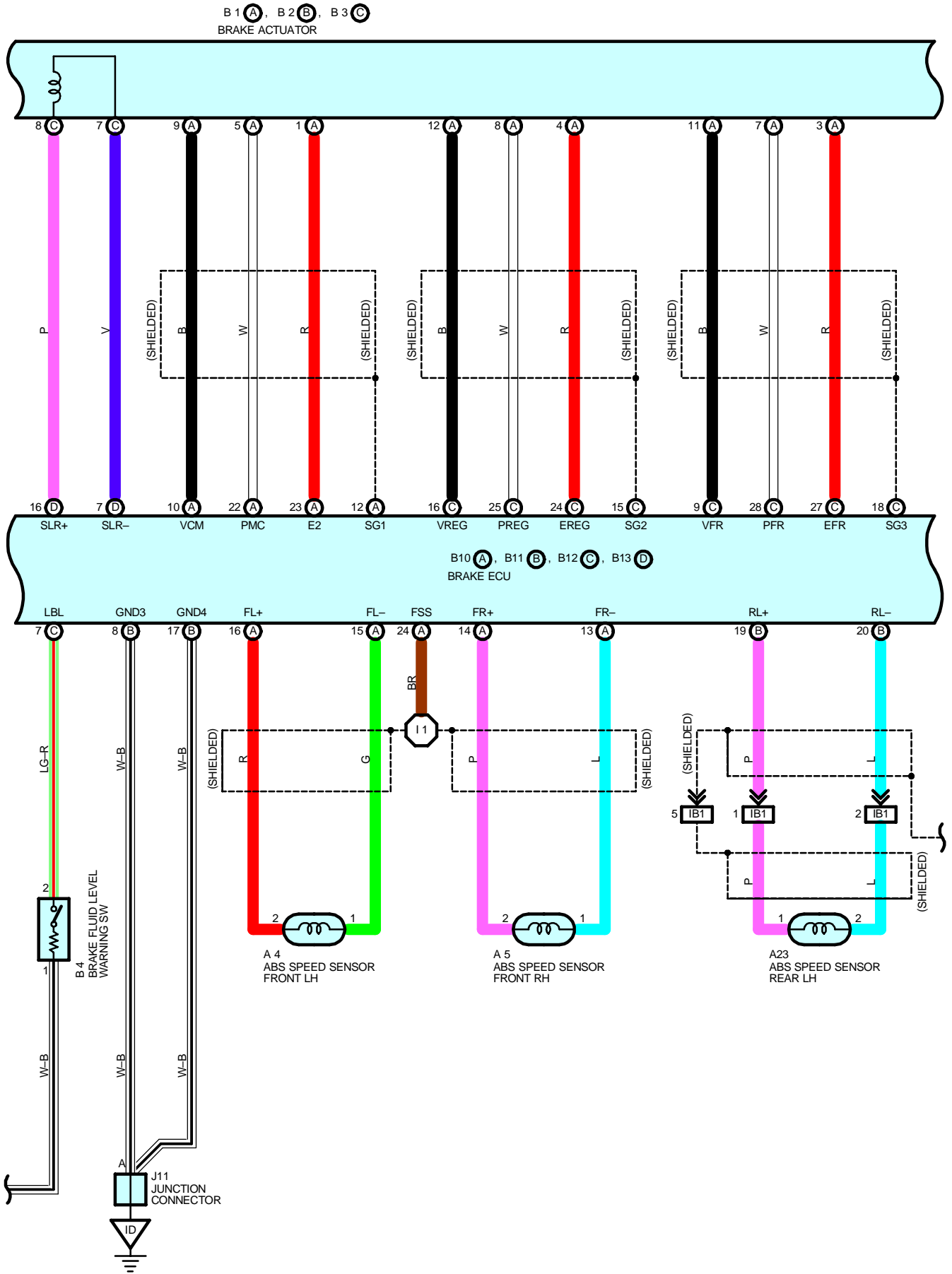


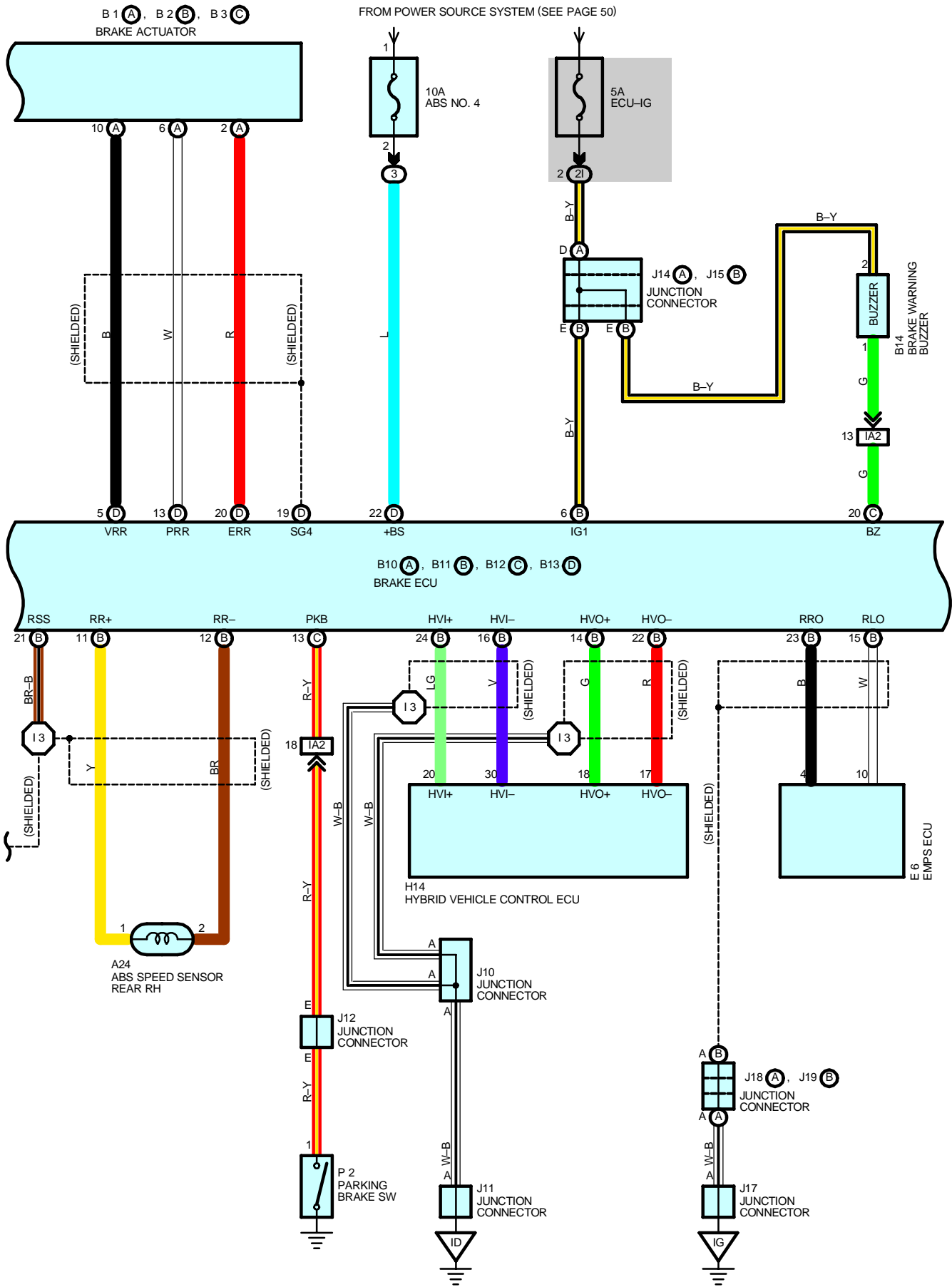
# ABS



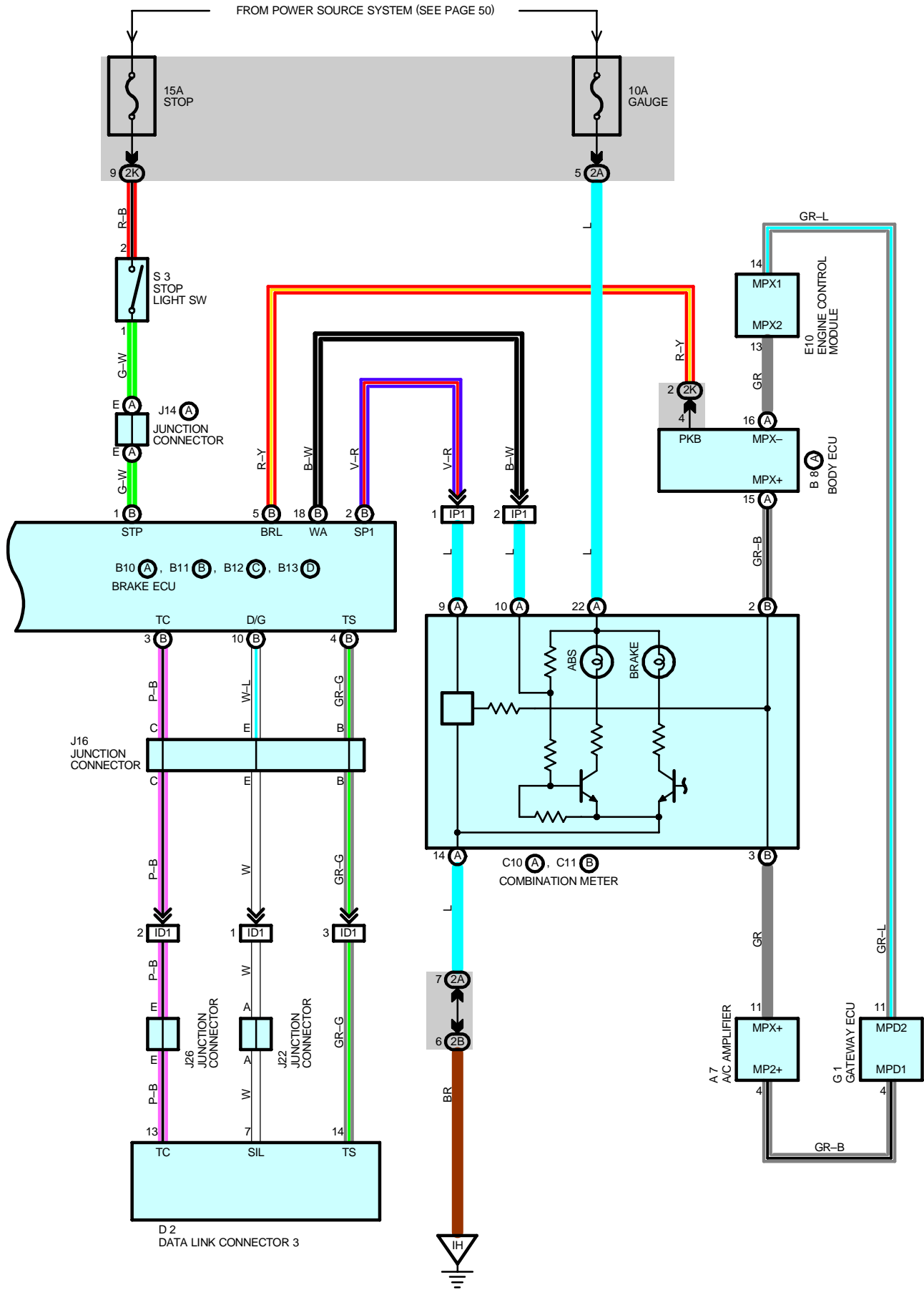


# ABS





# ABS



## SYSTEM OUTLINE

### 1. INPUT SIGNALS

(1) Speed sensor signal

The speed of the wheels is detected and input to TERMINALS FL+, FR+, RL+ and RR+ of the brake ECU.

(2) Stop light SW signal

A signal is input to TERMINAL STP of the brake ECU when the brake pedal is depressed.

### 2. ABS SYSTEM OPERATION

During sudden braking the brake ECU has signals input from each sensor, which controls the current to the solenoid inside the actuator and lets the hydraulic pressure acting on each wheel cylinder escape to the reservoir. The pump inside the actuator is also operating at this time and it returns the brake fluid from the reservoir to the master cylinder, thus preventing locking of the vehicle wheels.

If the brake ECU judges that the hydraulic pressure acting on the wheel cylinder is insufficient, the current on the solenoid is controlled and the hydraulic pressure is increased. Holding of the hydraulic pressure is also controlled by the brake ECU, by the same method as above. Pressure reduction, holding and increase are repeated to maintain vehicle stability and to improve steerability during sudden braking.

## SERVICE HINTS

### A4, A5 ABS SPEED SENSOR FRONT LH, RH

2-1 : 1.4-1.8 k $\Omega$  (20°C, 68°F)

### A23, A24 ABS SPEED SENSOR REAR LH, RH

2-1 : 1.04-1.3 k $\Omega$  (20°C, 68°F)

### B10 (A), B11 (B), B12 (C), B13 (D) BRAKE ECU

(B) 6, (C) 1-GROUND : Approx. 12 volts with the ignition SW at ON position

(D) 22-GROUND : Always approx. 12 volts

(A) 6, (A)31-GROUND : Always continuity

## ○ : PARTS LOCATION

Code	See Page	Code	See Page	Code	See Page
A4	34	C10	A 36	J10	37
A5	34	C11	B 36	J11	37
A7	36	D2	36	J12	37
A23	38	E6	36	J14	A 37
A24	38	E10	36	J15	B 37
B1	A 34	F12	C 34	J16	37
B2	B 34	F13	D 34	J17	37
B3	C 34	F18	38	J18	A 37
B4	34	G1	37	J19	B 37
B8	A 36	H5	A 34	J22	37
B10	A 36	H6	B 34	J26	37
B11	B 36	H14	37	P2	37
B12	C 36	I15	37	S3	37
B13	D 36	J1	37		
B14	36	J7	37		

## ○ : RELAY BLOCKS

Code	See Page	Relay Blocks (Relay Block Location)
2	23	Engine Room R/B No.2 (Right Side of Reserve Tank)
3	24	Engine Room R/B No.3 (Engine Compartment Right)

# ABS

## : JUNCTION BLOCK AND WIRE HARNESS CONNECTOR

Code	See Page	Junction Block and Wire Harness (Connector Location)
1B	27	Engine Room Main Wire and Engine Room J/B (Engine Compartment Left)
1J		
1K		
2A	30	Instrument Panel Wire and Instrument Panel J/B (Cowl Side Panel LH)
2B		
2C		
2G	31	Engine Room Main Wire and Instrument Panel J/B (Cowl Side Panel LH)
2I	31	Cowl Wire and Instrument Panel J/B (Cowl Side Panel LH)
2K		

## : CONNECTOR JOINING WIRE HARNESS AND WIRE HARNESS

Code	See Page	Joining Wire Harness and Wire Harness (Connector Location)
IA2	42	Engine Room Main Wire and Cowl Wire (Cowl Side Panel LH)
IB1	42	Floor Wire and Cowl Wire (Cowl Side Panel LH)
ID1	42	Instrument Panel Wire and Cowl Wire (Left Kick Panel)
IP1	44	Instrument Panel Wire and Cowl Wire (Right Kick Panel)

## : GROUND POINTS

Code	See Page	Ground Points Location
ID	42	Cowl Side Panel LH
IE		
IG	42	Cowl Side Panel RH
IH	42	Right Kick Panel

## : SPLICE POINTS

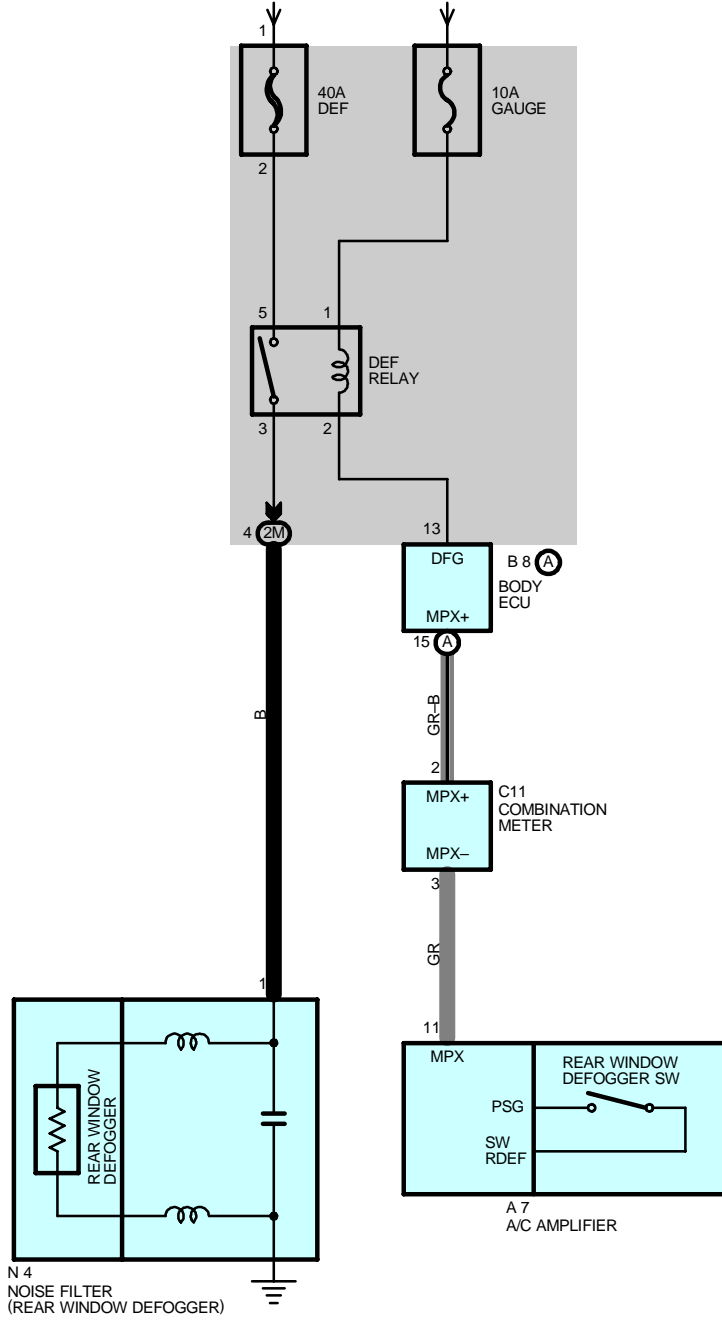
Code	See Page	Wire Harness with Splice Points	Code	See Page	Wire Harness with Splice Points
E5	40	Engine Room Main Wire	I3	44	Cowl Wire
I1	44				





# REAR WINDOW DEFOGGER

FROM POWER SOURCE SYSTEM (SEE PAGE 50)



---

**SERVICE HINTS****DEF RELAY**

5-3 : Closed with the ignition SW on and the rear window defogger SW on

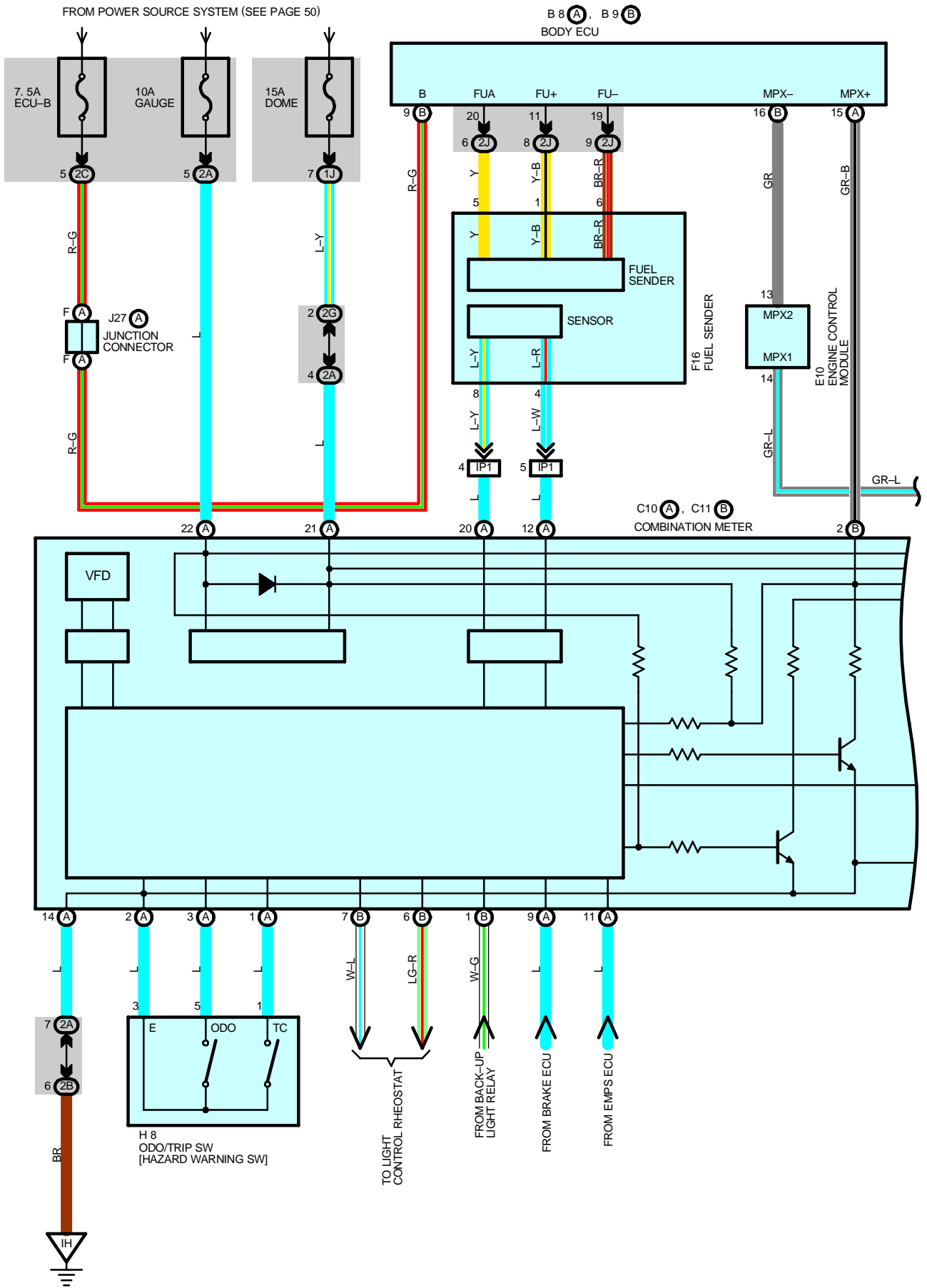
**○ : PARTS LOCATION**

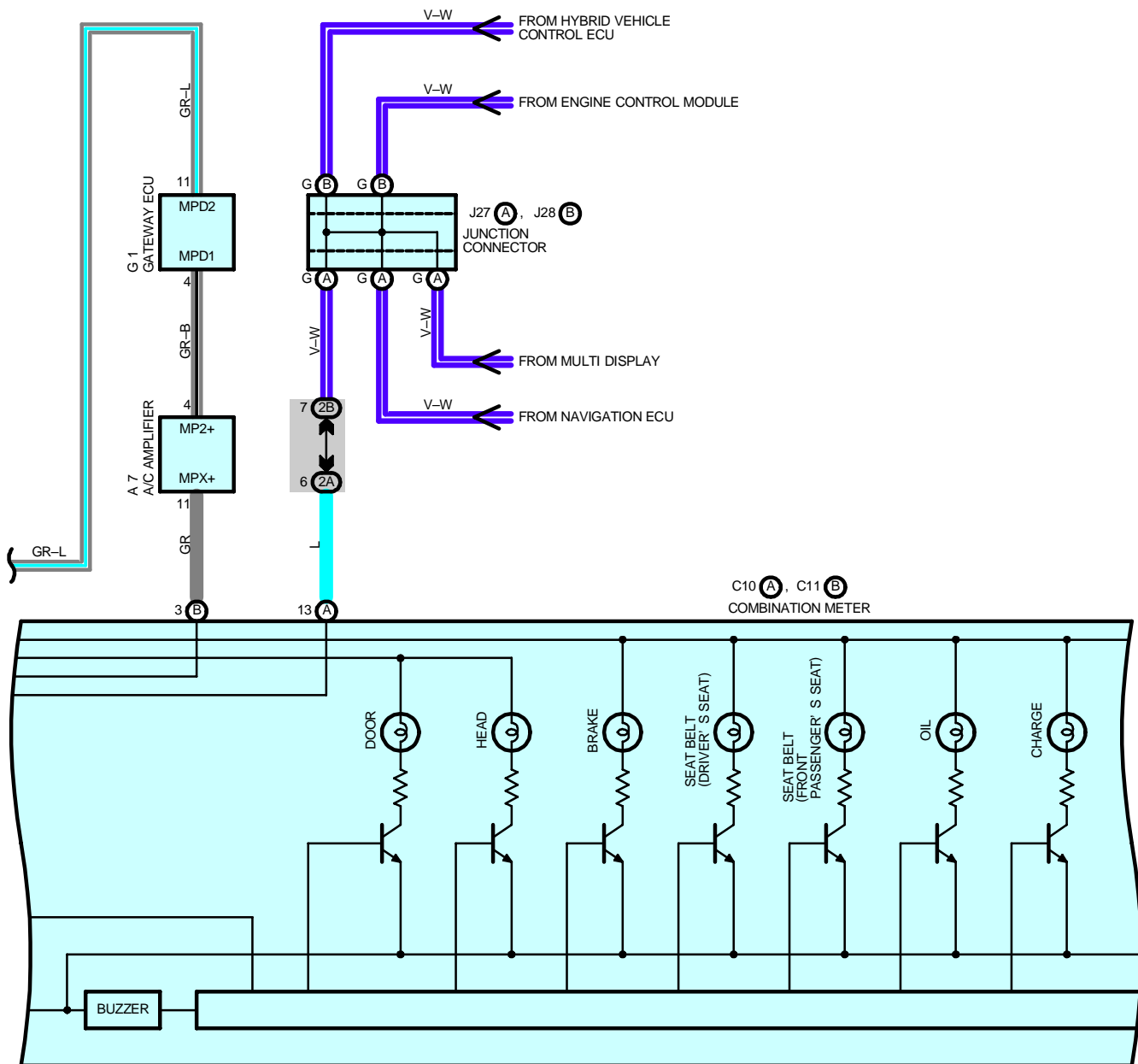
Code	See Page	Code	See Page	Code	See Page
A7	36	C11	36		
B8	A 36	N4	39		

**○ : JUNCTION BLOCK AND WIRE HARNESS CONNECTOR**

Code	See Page	Junction Block and Wire Harness (Connector Location)
2M	31	Floor Wire and Instrument Panel J/B (Cowl Side Panel LH)

# COMBINATION METER

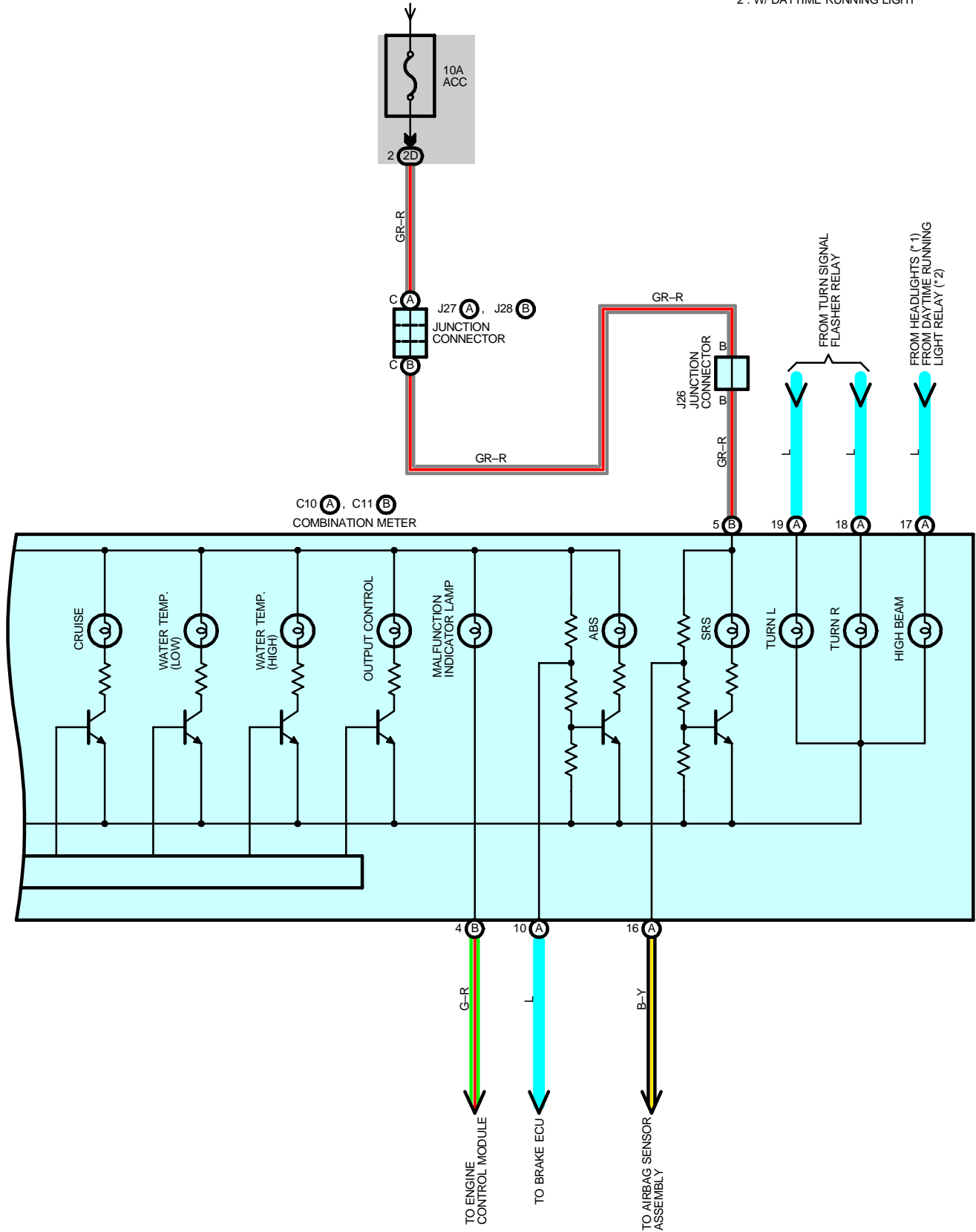




# COMBINATION METER

FROM POWER SOURCE SYSTEM (SEE PAGE 50)

\* 1 : W/O DAYTIME RUNNING LIGHT  
 \* 2 : W/ DAYTIME RUNNING LIGHT



**SERVICE HINTS****C10 (A), C11 (B) COMBINATION METER**

- (A)22-GROUND : Approx. **12** volts with the ignition SW at **ON** position  
 (B) 5-GROUND : Approx. **12** volts with the ignition SW at **ON** or **ACC** position  
 (A)21-GROUND : Always approx. **12** volts  
 (A)14-GROUND : Always continuity

**○ : PARTS LOCATION**

Code		See Page	Code		See Page	Code		See Page
A7		36	C11	B	36	H8		37
B8	A	36	E10		36	J26		37
B9	B	36	F16		38	J27	A	37
C10	A	36	G1		37	J28	B	37

**○ : JUNCTION BLOCK AND WIRE HARNESS CONNECTOR**

Code	See Page	Junction Block and Wire Harness (Connector Location)
1J	27	Engine Room Main Wire and Engine Room J/B (Engine Compartment Left)
2A	30	Instrument Panel Wire and Instrument Panel J/B (Cowl Side Panel LH)
2B		
2C		
2D		
2G	31	Engine Room Main Wire and Instrument Panel J/B (Cowl Side Panel LH)
2J	31	Cowl Wire and Instrument Panel J/B (Cowl Side Panel LH)

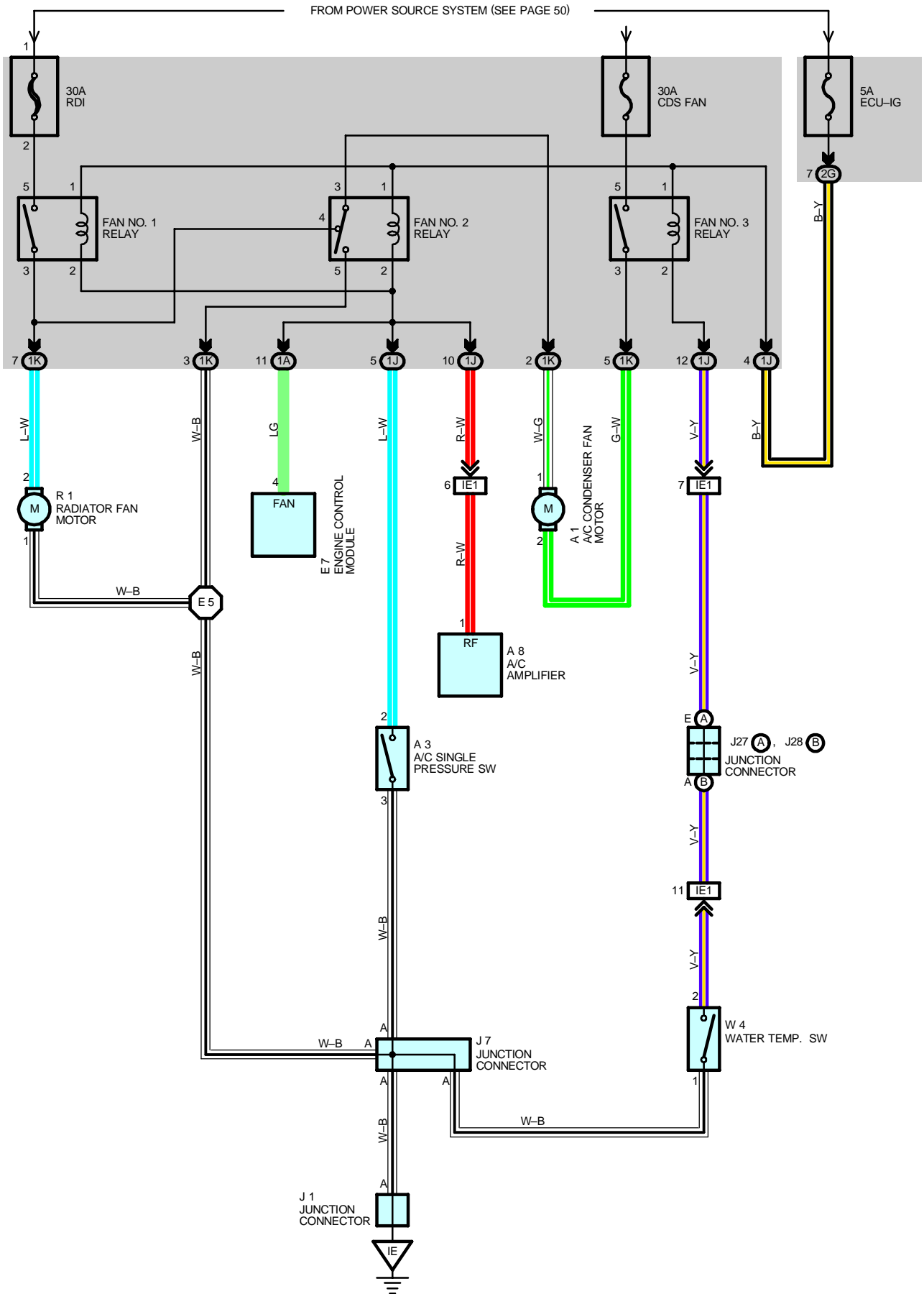
**□ : CONNECTOR JOINING WIRE HARNESS AND WIRE HARNESS**

Code	See Page	Joining Wire Harness and Wire Harness (Connector Location)
IP1	44	Instrument Panel Wire and Cowl Wire (Right Kick Panel)

**▽ : GROUND POINTS**

Code	See Page	Ground Points Location
IH	42	Right Kick Panel

# RADIATOR FAN AND CONDENSER FAN





## SYSTEM OUTLINE

The radiator fan motor and A/C condenser fan motor operates according to the water temp. SW (Inverter), A/C single pressure SW, and the A/C system condition. The FAN NO.1 relay, FAN NO.2 relay, FAN NO.3 relay are turned on/off, to operate the fan motors at low speed (In series), or high speed (In parallel).

### 1. LOW SPEED OPERATION

When the water temp. SW (Inverter) is on, the radiator fan motor and A/C condenser fan motor operates at low speed.

### 2. HIGH SPEED OPERATION

When the water temp. SW (Inverter) is on, if the A/C system is operating A/C single pressure SW is on, the radiator fan motor and A/C condenser fan motor operates at high speed.

## SERVICE HINTS

### A3 A/C SINGLE PRESSURE SW

3-2 : Close above approx. **1520** kpa (**15.5** kgf/cm<sup>2</sup>, **220** psi)

Open below approx. **1230** kpa (**12.5** kgf/cm<sup>2</sup>, **178** psi)

## ○ : PARTS LOCATION

Code	See Page	Code	See Page	Code	See Page
A1	<a href="#">34</a>	J1	<a href="#">37</a>	R1	<a href="#">35</a>
A3	<a href="#">34</a>	J7	<a href="#">37</a>	W4	<a href="#">35</a>
A8	<a href="#">36</a>	J27	A <a href="#">37</a>		
E7	<a href="#">36</a>	J28	B <a href="#">37</a>		

## ○ : JUNCTION BLOCK AND WIRE HARNESS CONNECTOR

Code	See Page	Junction Block and Wire Harness (Connector Location)
1A	<a href="#">27</a>	Engine Wire and Engine Room J/B (Engine Compartment Left)
1J	<a href="#">27</a>	Engine Room Main Wire and Engine Room J/B (Engine Compartment Left)
1K		
2G	<a href="#">31</a>	Engine Room Main Wire and Instrument Panel J/B (Cowl Side Panel LH)

## □ : CONNECTOR JOINING WIRE HARNESS AND WIRE HARNESS

Code	See Page	Joining Wire Harness and Wire Harness (Connector Location)
IE1	<a href="#">42</a>	Instrument Panel Wire and Engine Room Main Wire (Left Kick Panel)

## ▽ : GROUND POINTS

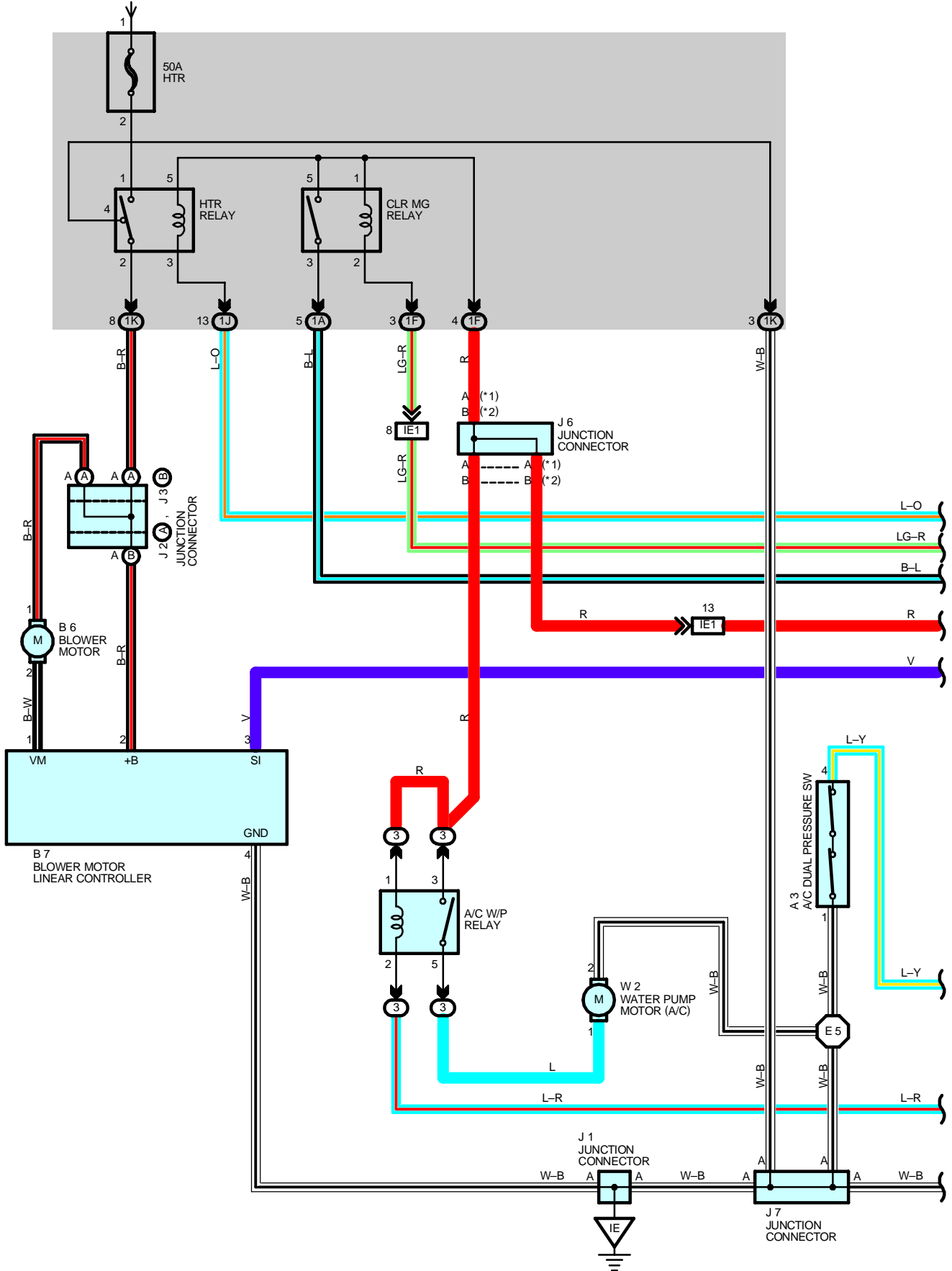
Code	See Page	Ground Points Location
IE	<a href="#">42</a>	Cowl Side Panel LH

## ○ : SPLICE POINTS

Code	See Page	Wire Harness with Splice Points	Code	See Page	Wire Harness with Splice Points
E5	<a href="#">40</a>	Engine Room Main Wire			

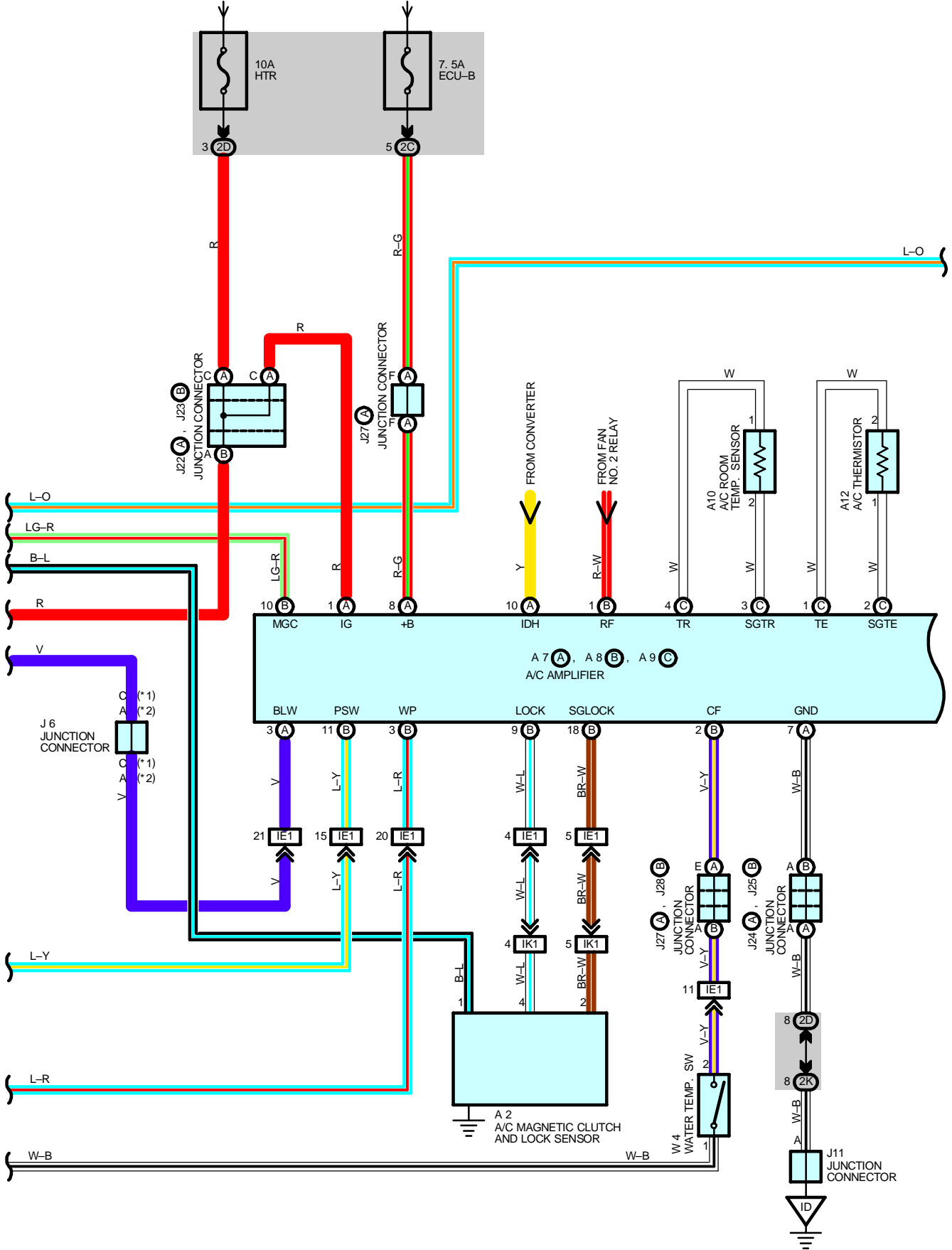
# AIR CONDITIONING

FROM POWER SOURCE SYSTEM (SEE PAGE 50)

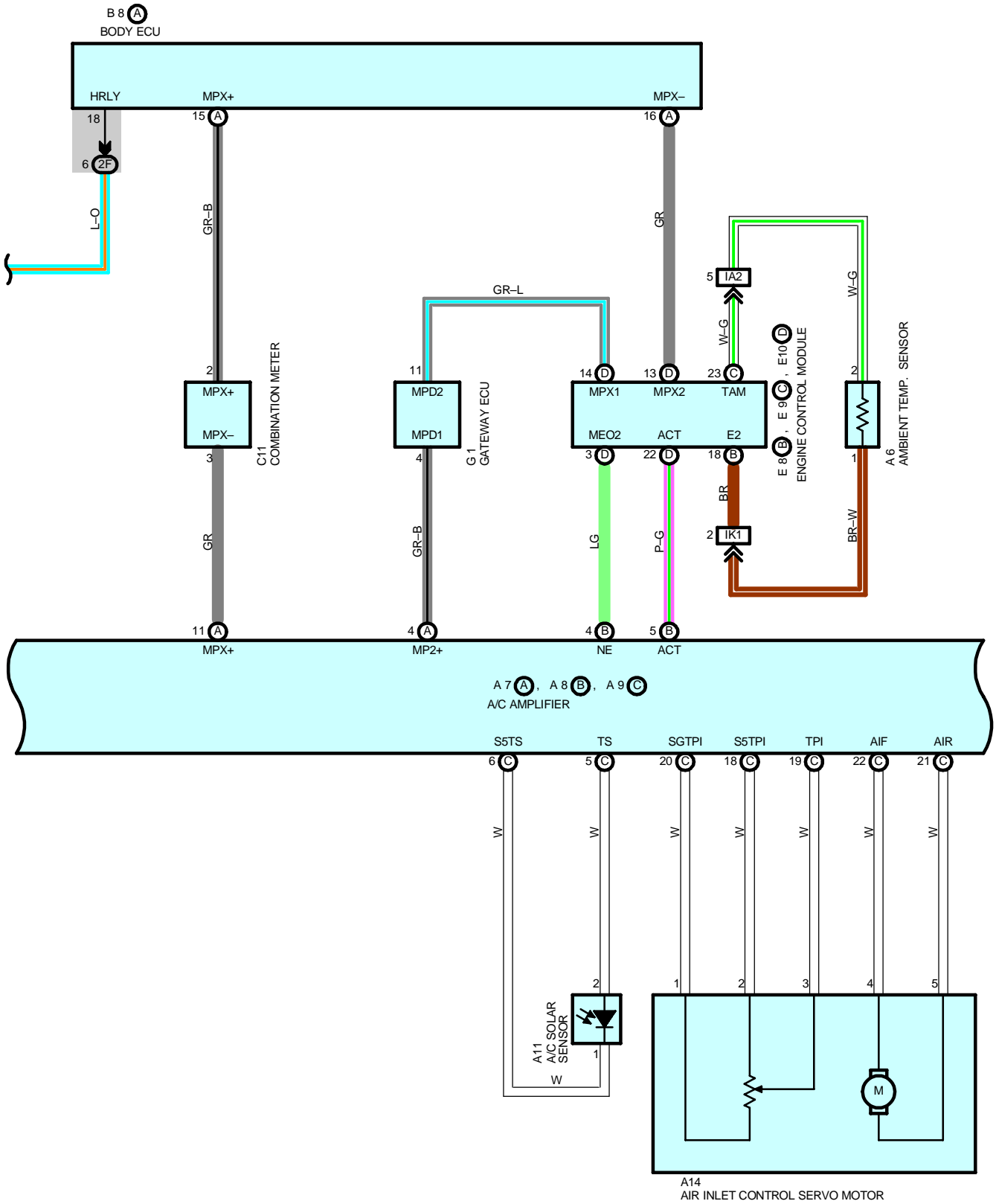


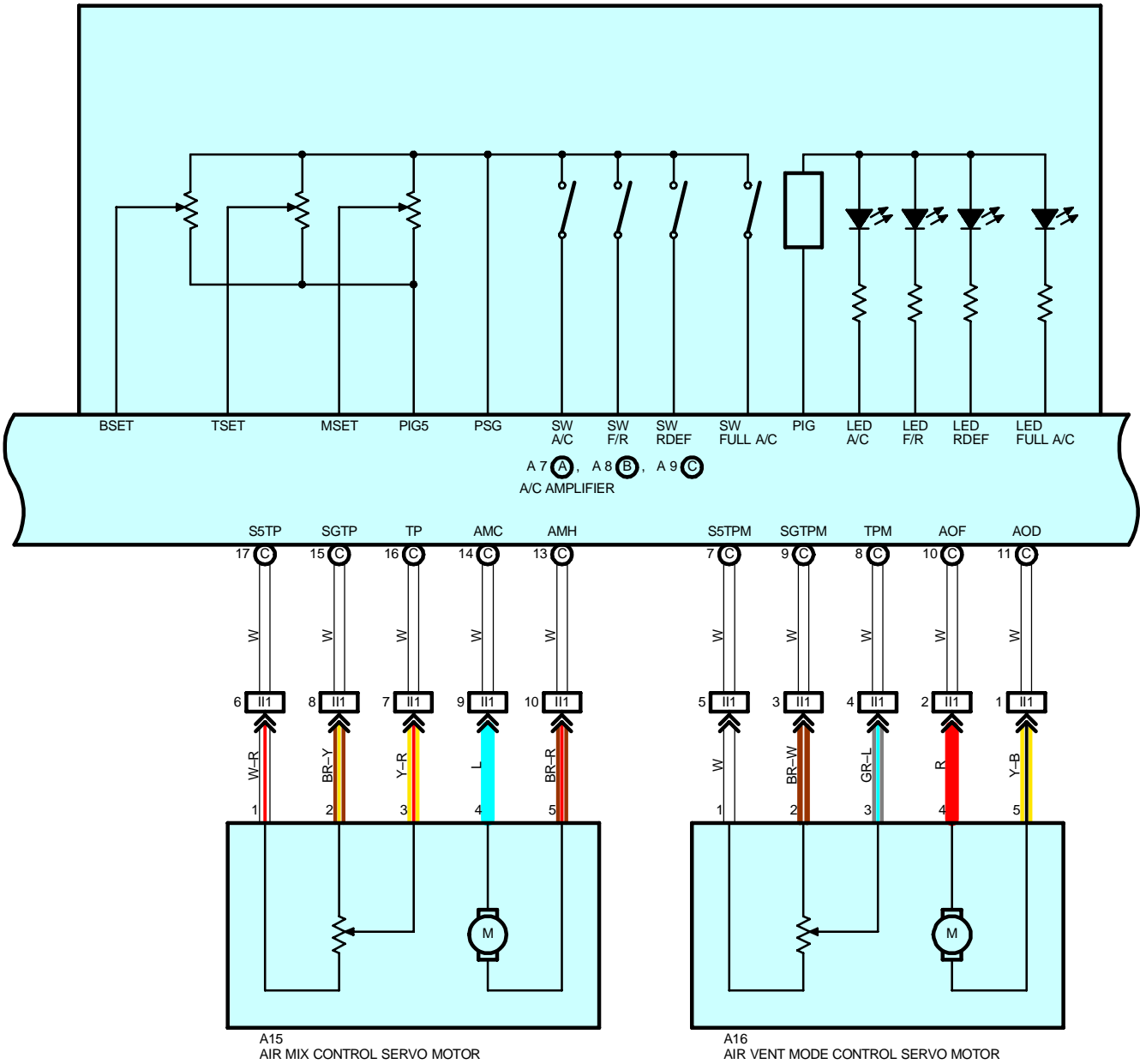
FROM POWER SOURCE SYSTEM (SEE PAGE 50)

\* 1 : W/ DAYTIME RUNNING LIGHT  
 \* 2 : W/O DAYTIME RUNNING LIGHT

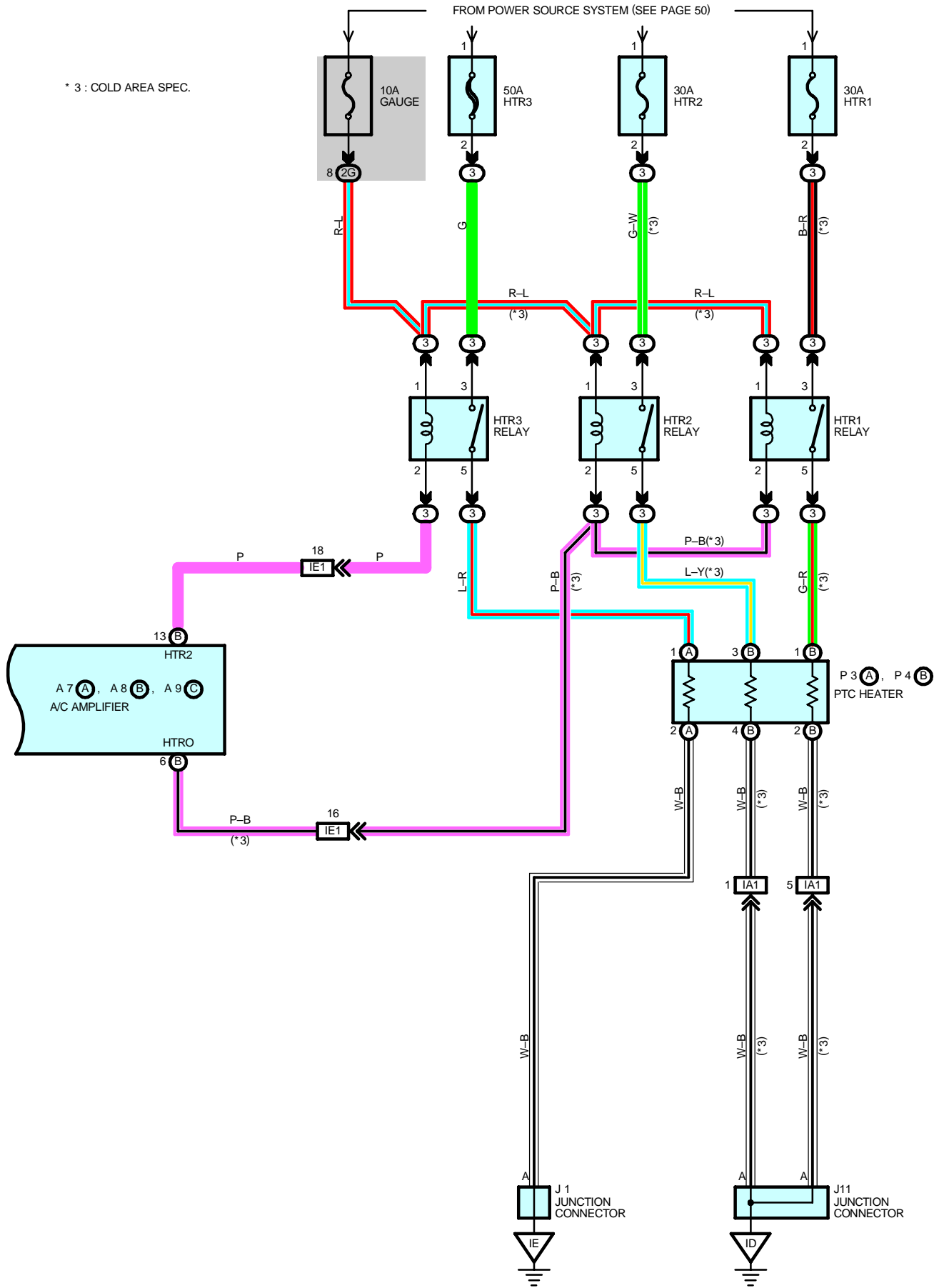


# AIR CONDITIONING





# AIR CONDITIONING



## SERVICE HINTS

### A3 A/C DUAL PRESSURE SW

1-4 : Open with the refrigerant pressure at less than approx. **196 kpa (2.0 kgf/cm<sup>2</sup>, 28.4 psi)**,  
or more than approx. **3140 kpa (32 kgf/cm<sup>2</sup>, 455 psi)**,

### A7 (A), A8 (B), A9 (C) A/C AMPLIFIER

(A) 8-GROUND : Always approx. **12** volts

(A) 1-GROUND : Approx. **12** volts with the ignition SW at **ON** position

(A) 7-GROUND : Always continuity

## ○ : PARTS LOCATION

Code	See Page	Code	See Page	Code	See Page
A2	34	B6	36	J7	37
A3	34	B7	36	J11	37
A6	34	B8	A 36	J22	A 37
A7	A 36	C11 36		J23	B 37
A8	B 36	E8	B 36	J24	A 37
A9	C 36	E9	C 36	J25	B 37
A10	36	E10	D 36	J27	A 37
A11	36	G1 37		J28	B 37
A12	36	J1 37		P3	A 37
A14	36	J2	A 37	P4	B 37
A15	36	J3	B 37	W2	35
A16	36	J6	37	W4	35

## ○ : RELAY BLOCKS

Code	See Page	Relay Blocks (Relay Block Location)
3	24	Engine Room R/B No.3 (Engine Compartment Right)

## ○ : JUNCTION BLOCK AND WIRE HARNESS CONNECTOR

Code	See Page	Junction Block and Wire Harness (Connector Location)
1A	27	Engine Wire and Engine Room J/B (Engine Compartment Left)
1F		Engine Room Main Wire and Engine Room J/B (Engine Compartment Left)
1J		
1K		
2C	30	Instrument Panel Wire and Instrument Panel J/B (Cowl Side Panel LH)
2D		
2F	31	Engine Room Main Wire and Instrument Panel J/B (Cowl Side Panel LH)
2G		
2K	31	Cowl Wire and Instrument Panel J/B (Cowl Side Panel LH)

## □ : CONNECTOR JOINING WIRE HARNESS AND WIRE HARNESS

Code	See Page	Joining Wire Harness and Wire Harness (Connector Location)
IA1	42	Engine Room Main Wire and Cowl Wire (Cowl Side Panel LH)
IA2		
IE1	42	Instrument Panel Wire and Engine Room Main Wire (Left Kick Panel)
II1	44	Instrument Panel Wire and A/C Sub Wire (Instrument Panel Brace LH)
IK1	44	Engine Wire and Engine Room Main Wire (Right Kick Panel)

## ▽ : GROUND POINTS

Code	See Page	Ground Points Location
ID	42	Cowl Side Panel LH
IE		

# AIR CONDITIONING

---



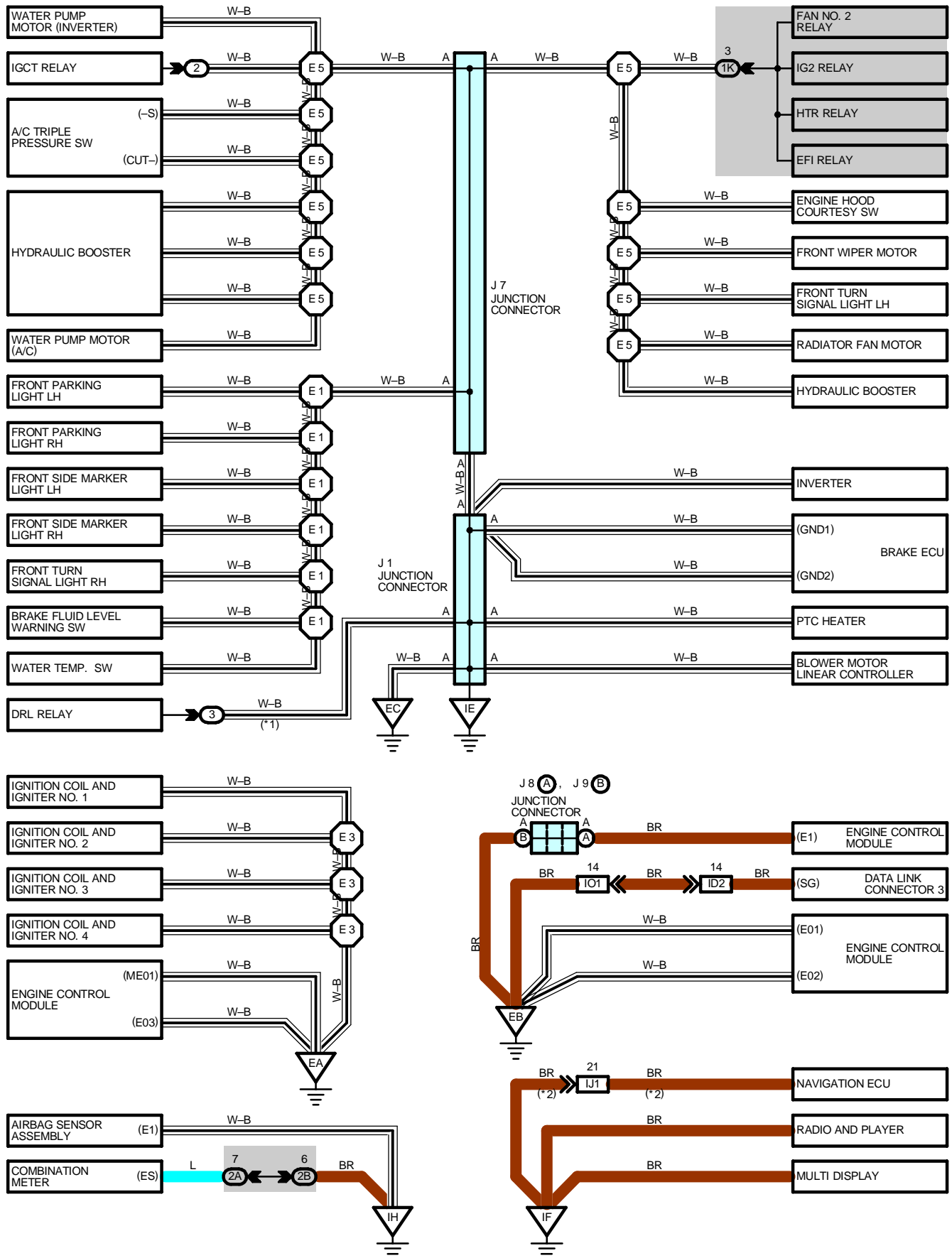
: SPLICE POINTS

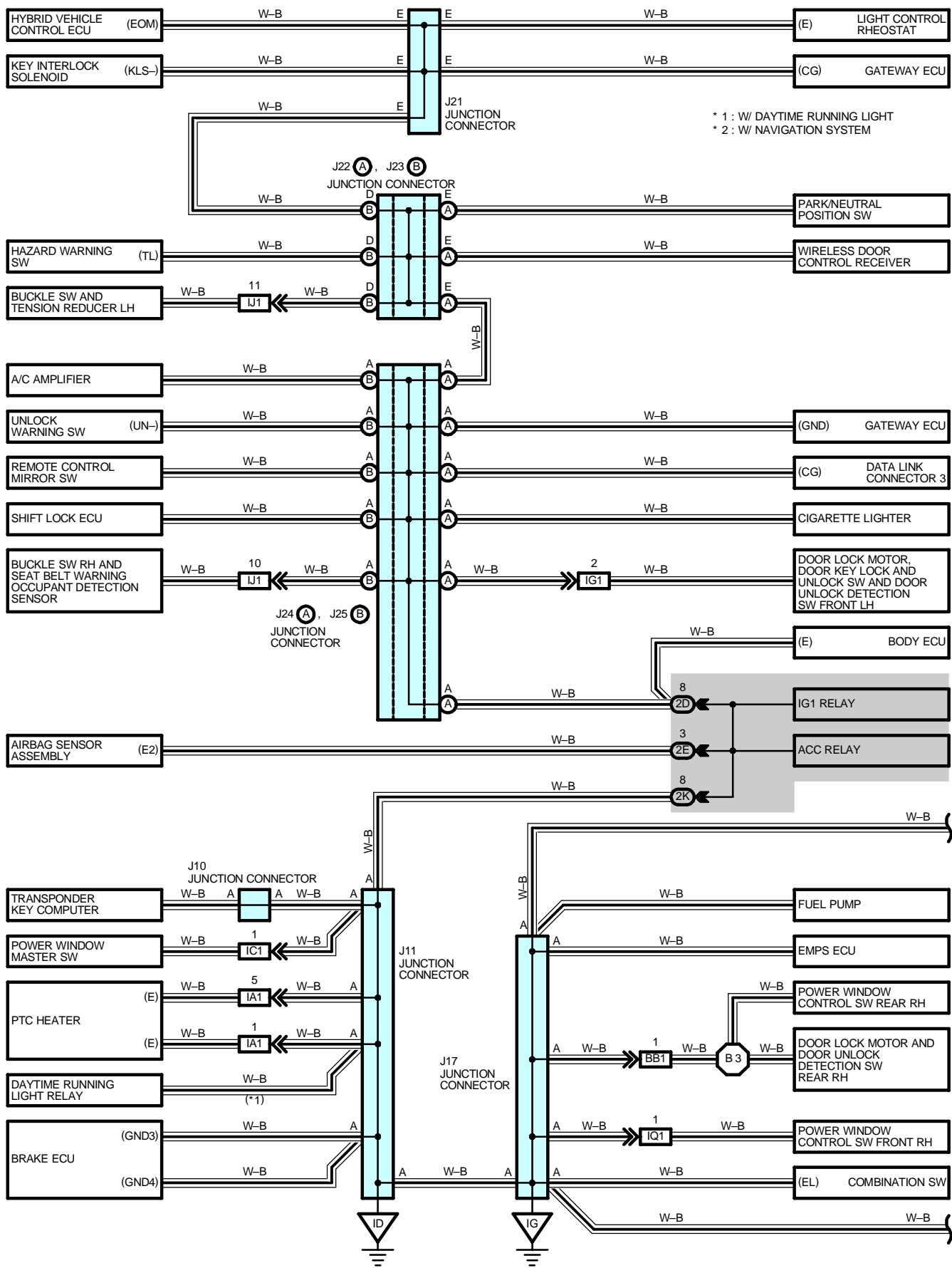
Code	See Page	Wire Harness with Splice Points	Code	See Page	Wire Harness with Splice Points
E5	<a href="#">40</a>	Engine Room Main Wire			



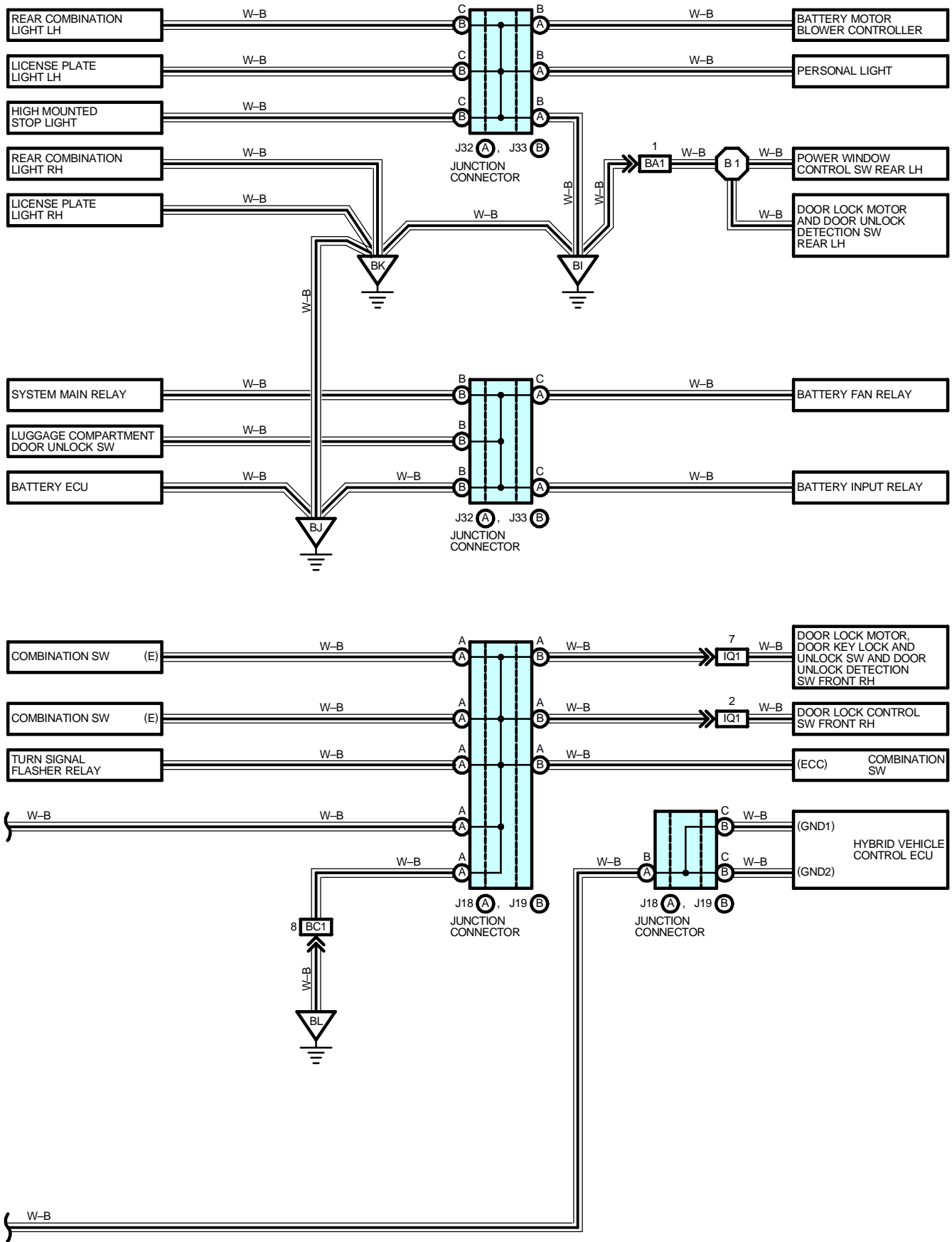


# I GROUND POINT





# I GROUND POINT



 : PARTS LOCATION

Code	See Page	Code	See Page	Code	See Page
J1	37	J17	37	J24	A 37
J7	37	J18	A 37	J25	B 37
J8	A 37	J19	B 37	J32	A 38
J9	B 37	J21	37	J33	B 38
J10	37	J22	A 37		
J11	37	J23	B 37		

 : RELAY BLOCKS

Code	See Page	Relay Blocks (Relay Block Location)
2	23	Engine Room R/B No.2 (Right Side of Reserve Tank)
3	24	Engine Room R/B No.3 (Engine Compartment Right)

 : JUNCTION BLOCK AND WIRE HARNESS CONNECTOR

Code	See Page	Junction Block and Wire Harness (Connector Location)
1K	27	Engine Room Main Wire and Engine Room J/B (Engine Compartment Left)
2A	30	Instrument Panel Wire and Instrument Panel J/B (Cowl Side Panel LH)
2B		
2D		
2E		
2K	31	Cowl Wire and Instrument Panel J/B (Cowl Side Panel LH)

 : CONNECTOR JOINING WIRE HARNESS AND WIRE HARNESS

Code	See Page	Joining Wire Harness and Wire Harness (Connector Location)
IA1	42	Engine Room Main Wire and Cowl Wire (Cowl Side Panel LH)
IC1	42	Front Door LH Wire and Cowl Wire (Left Kick Panel)
ID2	42	Instrument Panel Wire and Cowl Wire (Left Kick Panel)
IG1	42	Front Door LH Wire and Instrument Panel Wire (Left Kick Panel)
IJ1	44	Floor No.3 Wire and Instrument Panel Wire (Under the Instrument Panel Center)
IO1	44	Engine Wire and Cowl Wire (Right Kick Panel)
IQ1	44	Front Door RH Wire and Cowl Wire (Right Kick Panel)
BA1	46	Rear Door No.2 Wire and Floor Wire (Center Pillar LH)
BB1	46	Rear Door No.1 Wire and Cowl Wire (Center Pillar RH)
BC1	46	Cowl Wire and Fuel Tank Wire (Near the Fuel Tank)

 : GROUND POINTS

Code	See Page	Ground Points Location
EA	40	Engine Block
EB		
EC	40	Engine Compartment Left
ID	42	Cowl Side Panel LH
IE		
IF	42	Left Kick Panel
IG	42	Cowl Side Panel RH
IH	42	Right Kick Panel
BI	46	Left Side of Rear Pillar
BJ	46	Right Side of Rear Pillar
BK	46	Back Panel Center
BL	46	Near the Fuel Tank

# I GROUND POINT

---



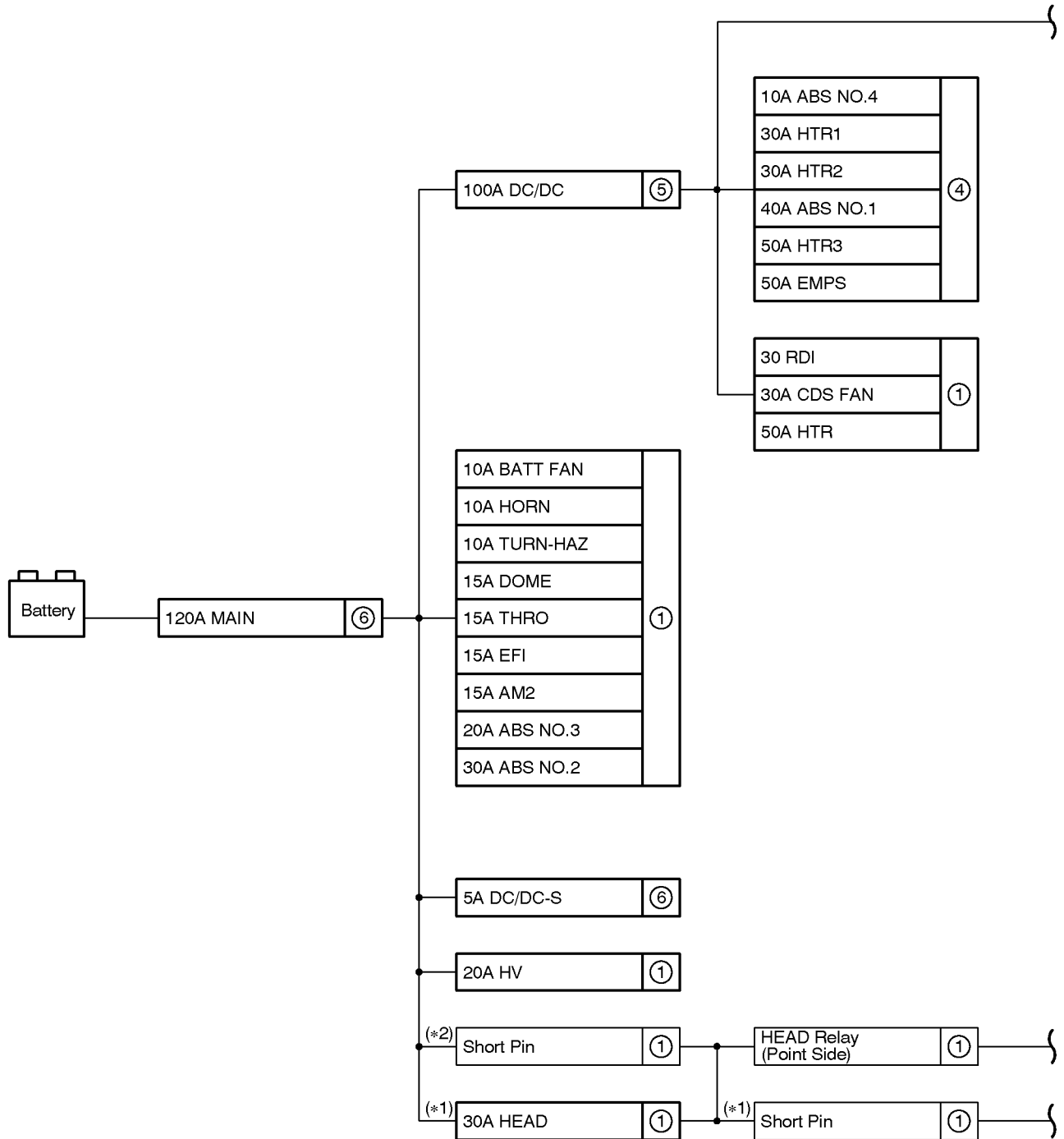
: SPLICE POINTS

Code	See Page	Wire Harness with Splice Points	Code	See Page	Wire Harness with Splice Points
E1	<a href="#">40</a>	Engine Room Main Wire	B1	<a href="#">46</a>	Rear Door No.2 Wire
E3	<a href="#">40</a>	Engine Wire	B3	<a href="#">46</a>	Rear Door No.1 Wire
E5	<a href="#">40</a>	Engine Room Main Wire			



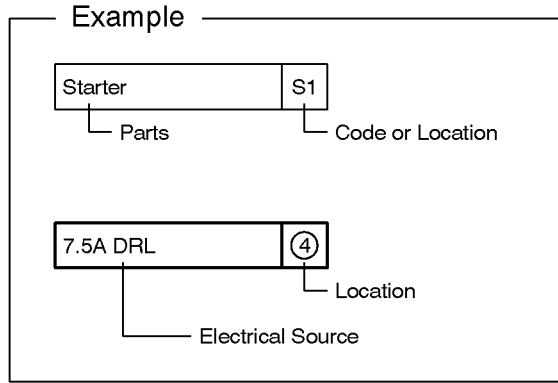
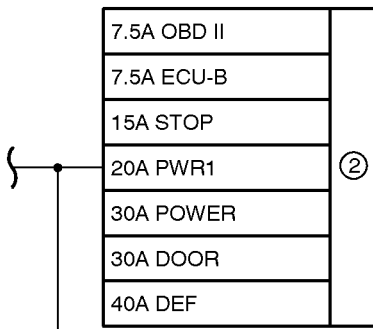
# J POWER SOURCE (Current Flow Chart)

The chart below shows the route by which current flows from the battery to each electrical source (Fusible Link, Circuit Breaker, Fuse, etc.) and other Parts.

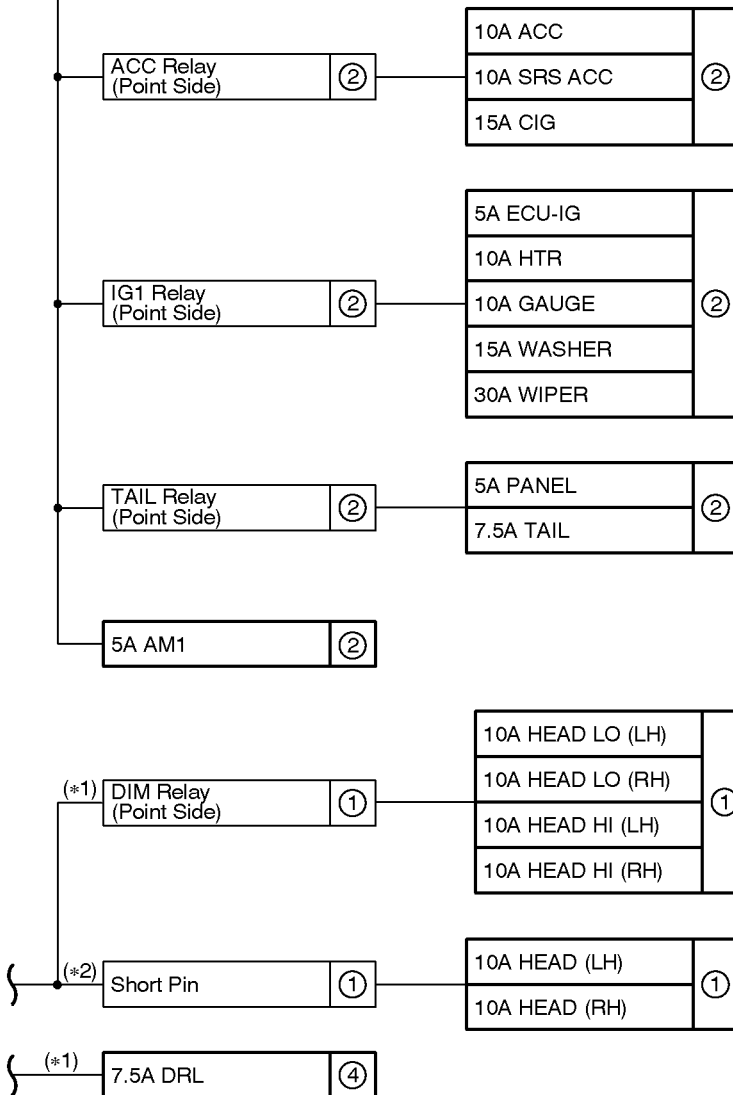


[LOCATION] ① : Engine Room J/B (See Page 26)      ② : Instrument Panel J/B (See Page 30)  
 ⑤ : Fusible Link Block No.1 (F10,F11,F12,F13 on See Page 22)





\*1 : w/ Daytime Running Light  
 \*2 : w/o Daytime Running Light



③ : Engine Room R/B No.2 (See Page 23)      ④ : Engine Room R/B No.3 (See Page 24)  
 ⑥ : Fusible Link Block No.2 (F17,F18 on See Page 23)

## J POWER SOURCE (Current Flow Chart)

### Fusible Link Block No.1 (See Page 22)

Fuse		System	Page
100A	DC/DC	Illumination	92
		Key Reminder and Light Reminder Buzzer	114
		Light Auto Turn Off	104
		Taillight	88
		TOYOTA Hybrid System	54

### Fusible Link Block No.2 (See Page 23)

Fuse		System	Page
5A	DC/DC-S	TOYOTA Hybrid System	54
120A	MAIN	ABS	172
		Engine Control	68
		Headlight (w/o Daytime Running Light)	84
		Hybrid Vehicle Immobiliser System	78
		Illumination	92
		Key Reminder and Light Reminder Buzzer	114
		Light Auto Turn Off	104
		SRS	167
		Taillight	88
		TOYOTA Hybrid System	54

### Engine Room R/B No.3 (See Page 24)

Fuse		System	Page
7.5A	DRL	Headlight (w/ Daytime Running Light)	80
10A	ABS NO.4	ABS	172
30A	HTR1	Air Conditioning	188
30A	HTR2	Air Conditioning	188
40A	ABS NO.1	ABS	172
50A	EMPS	EMPS	164
50A	HTR3	Air Conditioning	188

### Engine Room J/B (See Page 26)

Fuse		System	Page
10A	BATT FAN	TOYOTA Hybrid System	54
10A	HEAD (LH)	Headlight (w/o Daytime Running Light)	84
10A	HEAD (RH)	Headlight (w/o Daytime Running Light)	84
10A	HEAD HI (LH)	Headlight (w/ Daytime Running Light)	80
10A	HEAD HI (RH)	Headlight (w/ Daytime Running Light)	80
10A	HEAD LO (LH)	Headlight (w/ Daytime Running Light)	80
10A	HEAD LO (RH)	Headlight (w/ Daytime Running Light)	80
10A	HORN	Horn	124
		Theft Deterrent	146
10A	TURN-HAZ	Turn Signal and Hazard Warning Light	96

\* These are the page numbers of the first page on which the related system is shown.

Fuse		System	Page
15A	AM2	ABS	172
		Engine Control	68
		Hybrid Vehicle Immobiliser System	78
		SRS	167
		TOYOTA Hybrid System	54
15A	DOME	Combination Meter	182
		Door Lock Control	134
		Headlight (w/ Daytime Running Light)	80
		Headlight (w/o Daytime Running Light)	84
		Illumination	92
		Interior Light	108
		Key Reminder and Light Reminder Buzzer	114
		Navigation System	156
		Power Window	126
		Radio and Player	152
		Seat Belt Warning	118
		Theft Deterrent	146
		TOYOTA Hybrid System	54
Wireless Door Lock Control	140		
15A	EFI	Engine Control	68
15A	THRO	Engine Control	68
20A	ABS NO.3	ABS	172
20A	HV	TOYOTA Hybrid System	54
30A	ABS NO.2	ABS	172
30A	CDS FAN	Radiator Fan and Condenser Fan	186
30A	HEAD	Headlight (w/ Daytime Running Light)	80
		Key Reminder and Light Reminder Buzzer	114
		Light Auto Turn Off	104
30A	RDI	Radiator Fan and Condenser Fan	186
50A	HTR	Air Conditioning	188

### Instrument Panel J/B (See Page 30)

Fuse		System	Page
5A	ECU-IG	ABS	172
		Electric Tension Reducer	162
		EMPS	164
		Gateway System	160
		Navigation System	156
		Radiator Fan and Condenser Fan	186
		Shift Lock	132
5A	PANEL	Illumination	92
7.5A	ECU-B	Air Conditioning	188
		Combination Meter	182

\* These are the page numbers of the first page on which the related system is shown.

## J POWER SOURCE (Current Flow Chart)

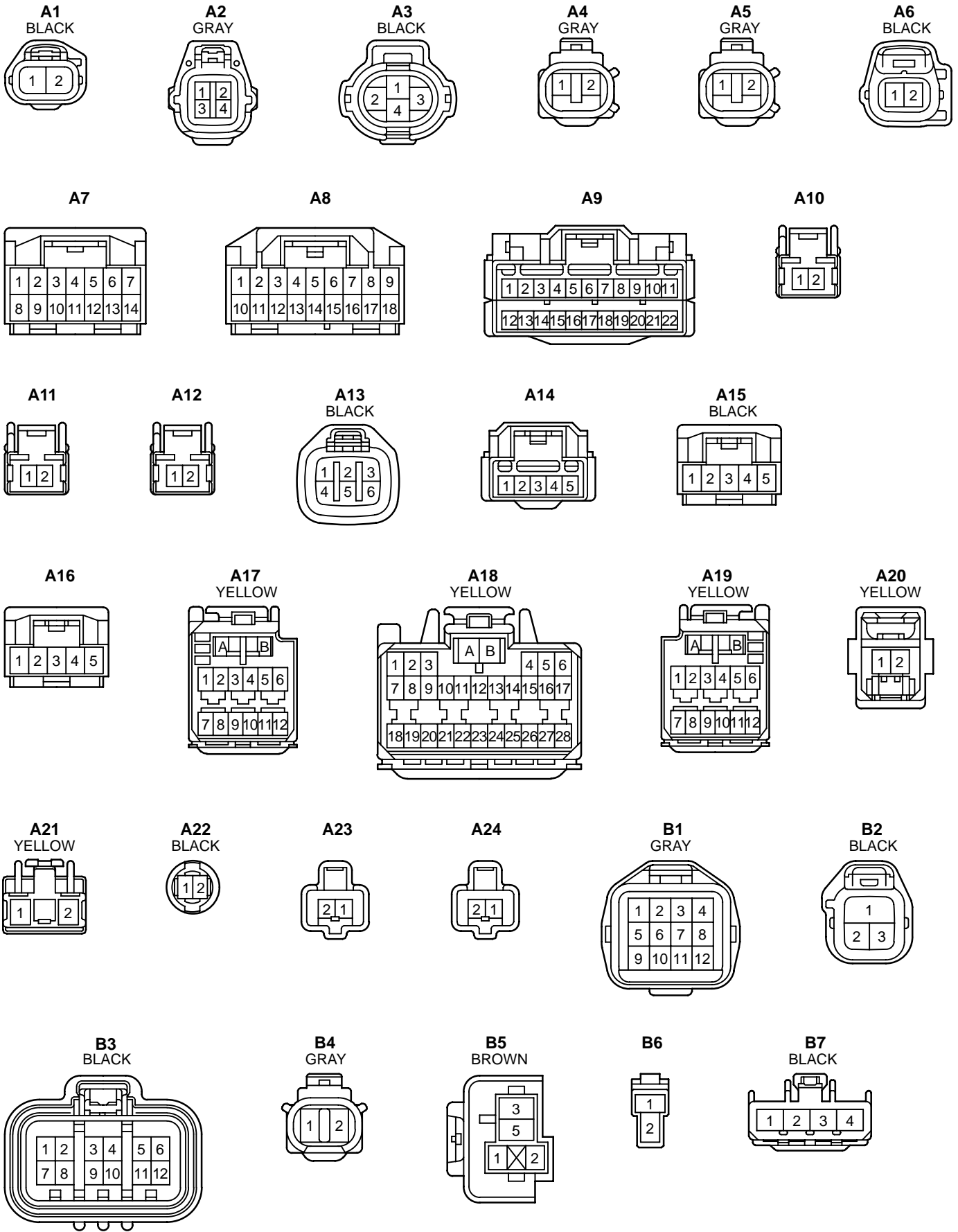
Fuse		System	Page
7.5A	ECU-B	Door Lock Control	134
		EMPS	164
		Gateway System	160
		Headlight (w/ Daytime Running Light)	80
		Hybrid Vehicle Immobiliser System	78
		Interior Light	108
		Key Reminder and Light Reminder Buzzer	114
		Light Auto Turn Off	104
		Power Window	126
		Theft Deterrent	146
		Wireless Door Lock Control	140
7.5A	OBDII	Engine Control	68
		Theft Deterrent	146
7.5A	TAIL	Key Reminder and Light Reminder Buzzer	114
		Light Auto Turn Off	104
		Taillight	88
10A	ACC	Combination Meter	182
		Gateway System	160
		Navigation System	156
		Radio and Player	152
		Remote Control Mirror	130
		Shift Lock	132
10A	GAUGE	SRS	167
		ABS	172
		Air Conditioning	188
		Back-Up Light	102
		Combination Meter	182
		Door Lock Control	134
		EMPS	164
		Engine Control	68
		Headlight (w/ Daytime Running Light)	80
		Key Reminder and Light Reminder Buzzer	114
		Light Auto Turn Off	104
		Navigation System	156
		Power Window	126
		Rear Window Defogger	180
		Seat Belt Warning	118
Theft Deterrent	146		
TOYOTA Hybrid System	54		
Turn Signal and Hazard Warning Light	96		
Wireless Door Lock Control	140		
10A	HTR	Air Conditioning	188
10A	SRS ACC	SRS	167

\* These are the page numbers of the first page on which the related system is shown.

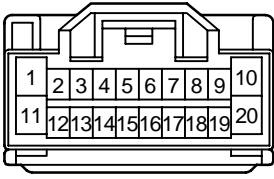
Fuse		System	Page
15A	CIG	Cigarette Lighter	122
15A	STOP	ABS Engine Control Shift Lock Stop Light	172 68 132 100
15A	WASHER	Wiper and Washer	120
20A	PWR1	Power Window	126
30A	DOOR	Door Lock Control Theft Deterrent Wireless Door Lock Control	134 146 140
30A	POWER	Power Window	126
30A	WIPER	Wiper and Washer	120
40A	DEF	Rear Window Defogger	180

\* These are the page numbers of the first page on which the related system is shown.

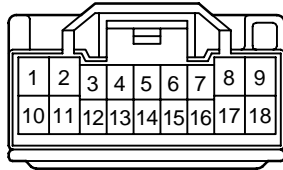
# K CONNECTOR LIST



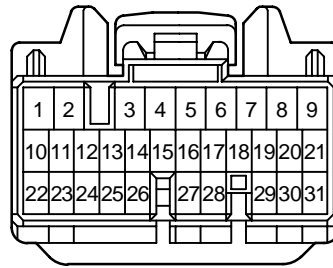
B8



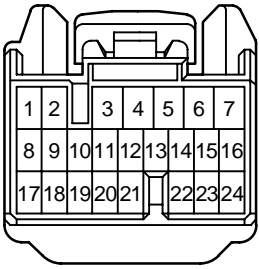
B9



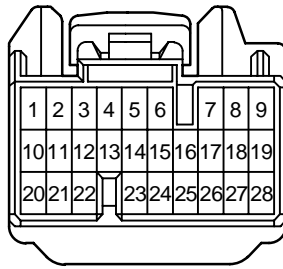
B10



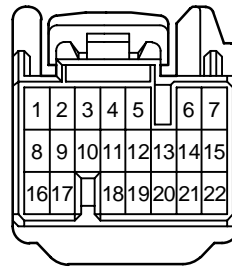
B11  
BLACK



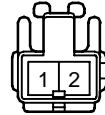
B12



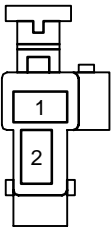
B13  
BLACK



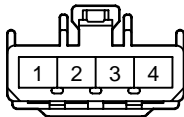
B14  
BLACK



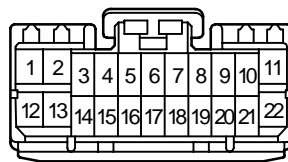
B15  
BLACK



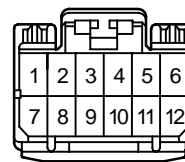
B16



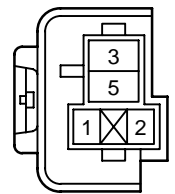
B17



B18



B19  
BROWN



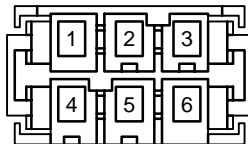
B20



B21



B22  
BLACK



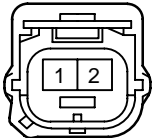
C1  
BLACK



C2  
BLACK



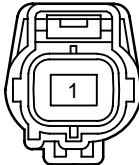
C3  
YELLOW



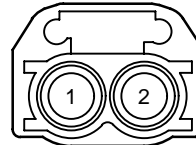
C4  
GRAY



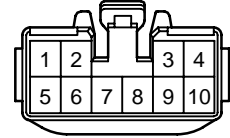
C5  
GRAY



C6  
BLACK



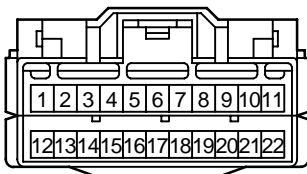
C7



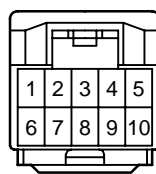
C8



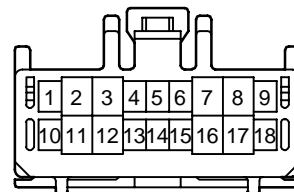
C10



C11

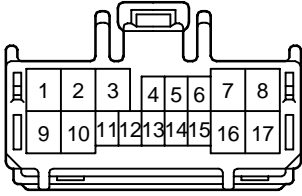


C12  
BLACK

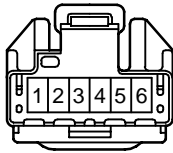


# K CONNECTOR LIST

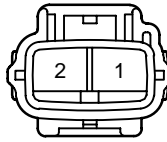
**C13**



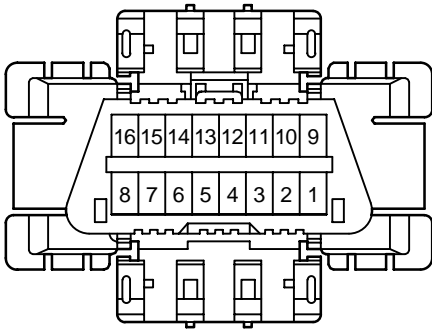
**C14**



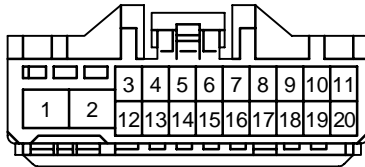
**D1**  
GRAY



**D2**



**D3**



**D4**  
BLACK



**D5**  
BLACK



**D6**



**D7**



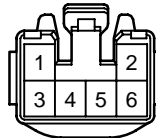
**D8**



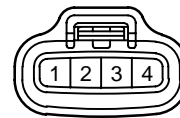
**D9**



**D10**  
BLACK



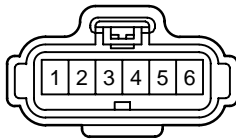
**D11**  
BLACK



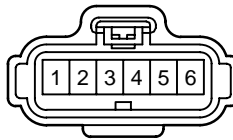
**D12**  
BLACK



**D13**  
BLACK



**D14**  
BLACK



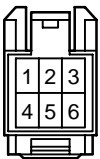
**E1**  
DARK GRAY



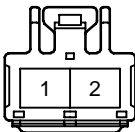
**E2**



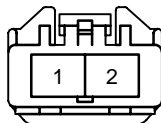
**E3**



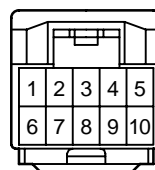
**E4**



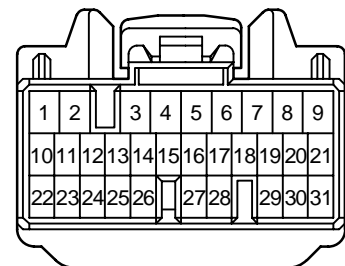
**E5**  
GRAY



**E6**

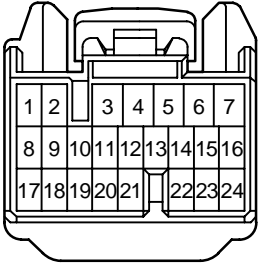


**E7**  
BLACK

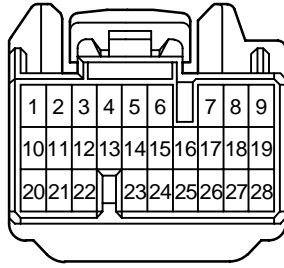




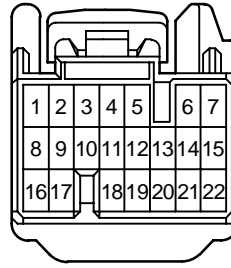
**E8**  
BLACK



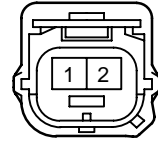
**E9**  
BLACK



**E10**  
BLACK



**F1**  
YELLOW



**F2**  
YELLOW



**F3**  
GRAY



**F4**  
GRAY



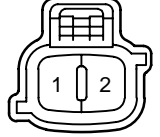
**F5**  
BLACK



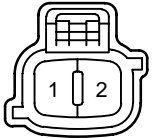
**F6**  
BLACK



**F7**  
GRAY



**F8**  
GRAY



**F9**  
GRAY



**F10**

(See Page 22)

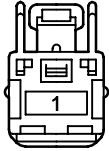
**F11**

(See Page 22)

**F12**

(See Page 22)

**F13**  
BLACK



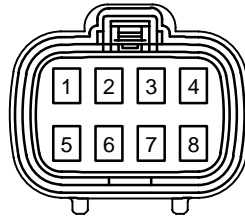
**F14**



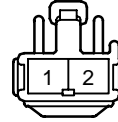
**F15**



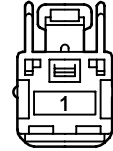
**F16**  
GRAY



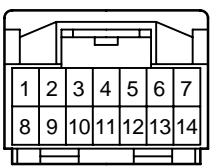
**F17**



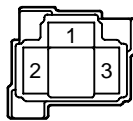
**F18**  
BLACK



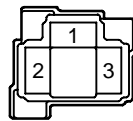
**G1**  
GRAY



**H1**  
GRAY



**H2**  
GRAY



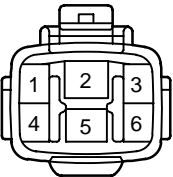
**H3**  
DARK GRAY



**H4**  
BLACK



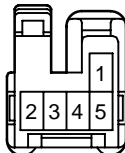
**H5**  
BLACK



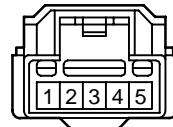
**H6**  
GRAY



**H7**



**H8**

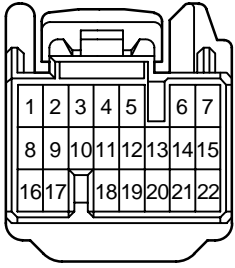


**H9**  
DARK GRAY

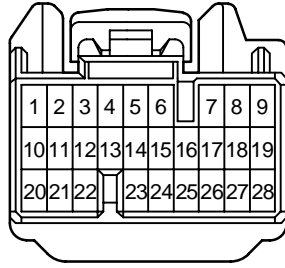


# K CONNECTOR LIST

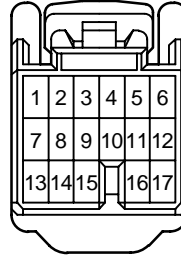
**H10**



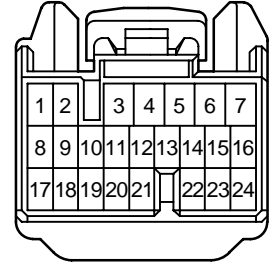
**H11  
BLACK**



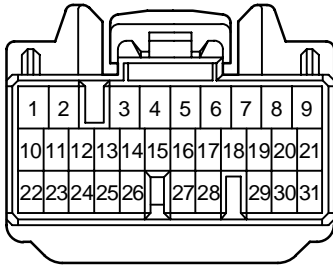
**H12**



**H13  
BLACK**



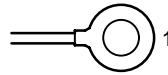
**H14**



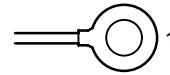
**H15**



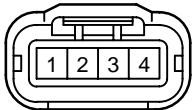
**H16**



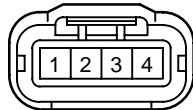
**H17**



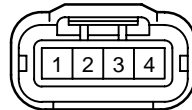
**I1  
BLACK**



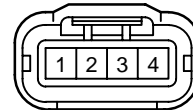
**I2  
GRAY**



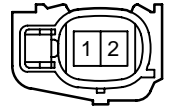
**I3  
BLACK**



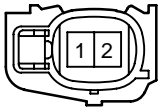
**I4  
GRAY**



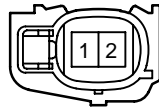
**I5  
BLACK**



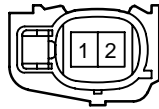
**I6  
GRAY**



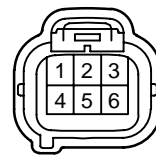
**I7  
BLACK**



**I8  
GRAY**



**I9  
GRAY**



**I10  
GRAY**



**I11  
GRAY**



**I12  
GRAY**



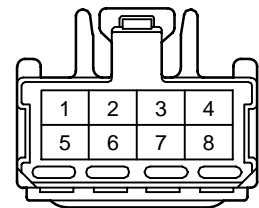
**I13  
ORANGE**



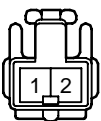
**I14  
ORANGE**



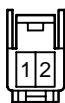
**I15**



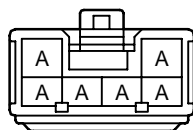
**I16  
BLACK**



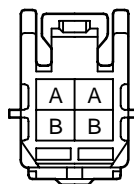
**I17**



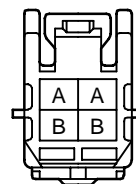
**J1**



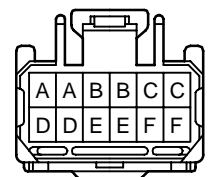
**J2**



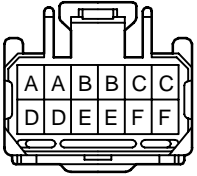
**J3**



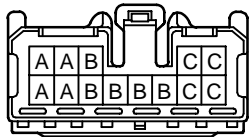
**J4**



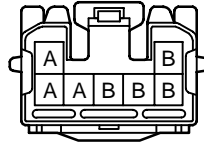
**J5**



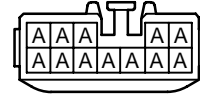
**J6**  
(w/ Daytime Running Light)



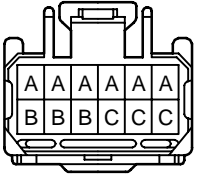
**J6**  
(w/o Daytime Running Light)



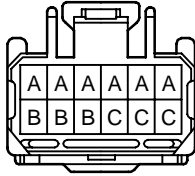
**J7**  
BLUE



**J8**  
GRAY



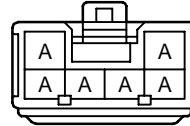
**J9**  
GRAY



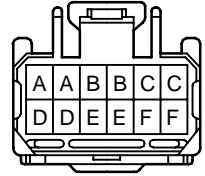
**J10**  
BLACK



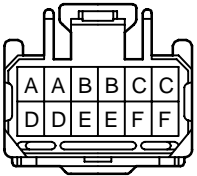
**J11**



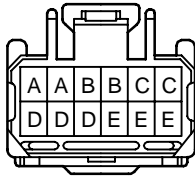
**J12**



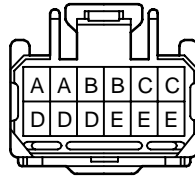
**J13**



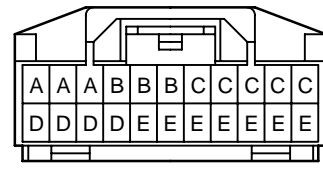
**J14**  
BLACK



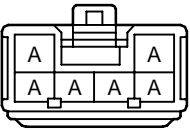
**J15**  
BLACK



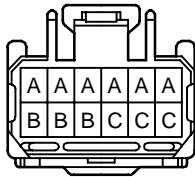
**J16**



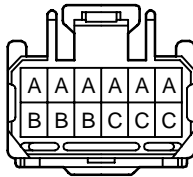
**J17**



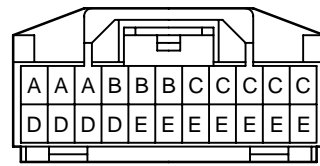
**J18**  
GRAY



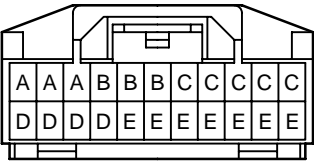
**J19**  
GRAY



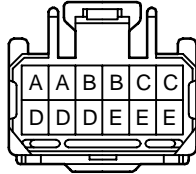
**J20**



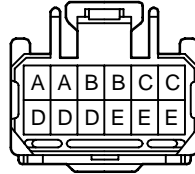
**J21**



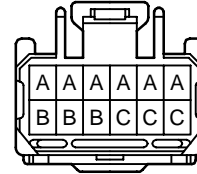
**J22**  
BLACK



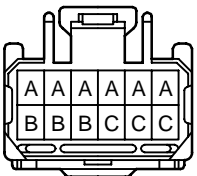
**J23**  
BLACK



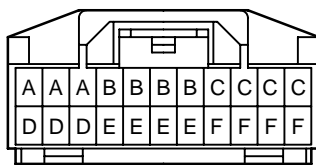
**J24**  
GRAY



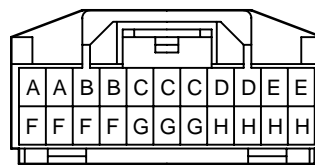
**J25**  
GRAY



**J26**

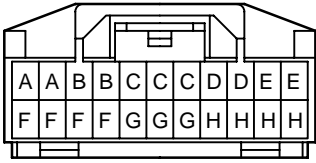


**J27**  
BLUE



# K CONNECTOR LIST

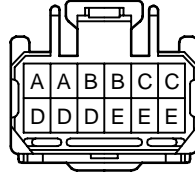
**J28**  
BLUE



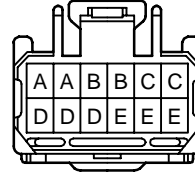
**J29**  
BLACK



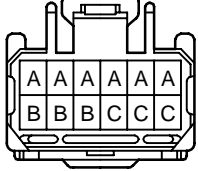
**J30**  
BLACK



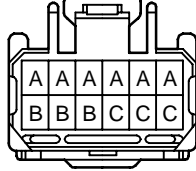
**J31**  
BLACK



**J32**  
GRAY



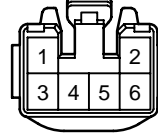
**J33**  
GRAY



**K1**  
DARK GRAY



**L1**



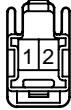
**L2**  
GRAY



**L3**  
GRAY



**L4**



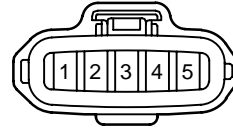
**L5**



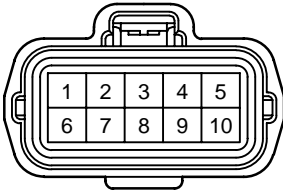
**L6**



**M1**  
BLACK



**M2**  
GRAY



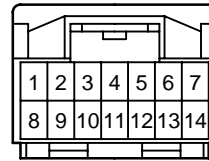
**M3**  
GRAY



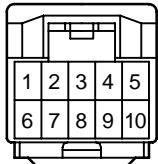
**M4**  
GRAY



**M5**



**M6**  
BLUE



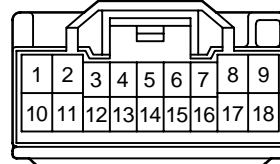
**M7**  
BLUE



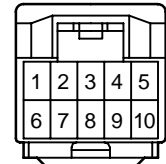
**N1**  
GRAY



**N2**



**N3**



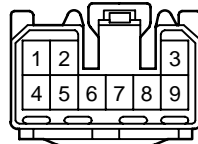
**N4**



**O1**  
BLACK



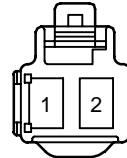
**P1**



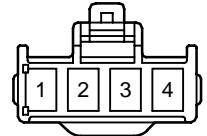
**P2**



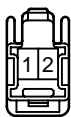
**P3**



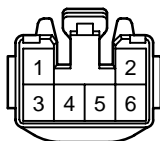
**P4**



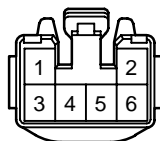
**P5**



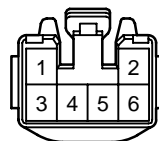
**P6**

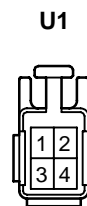
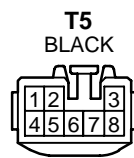
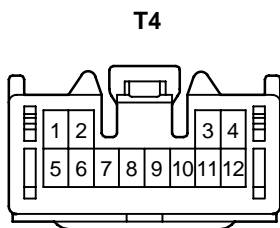
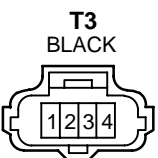
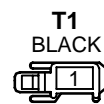
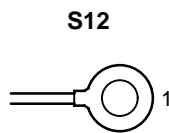
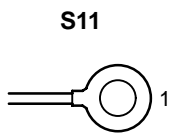
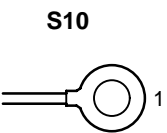
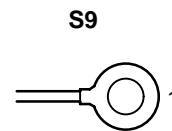
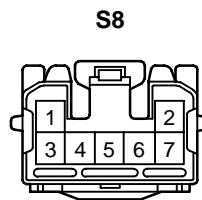
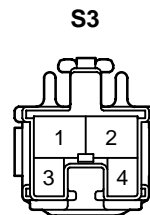
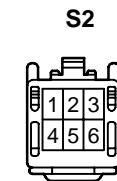
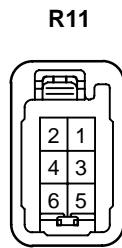
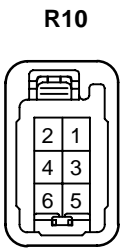
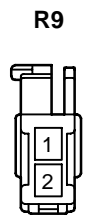
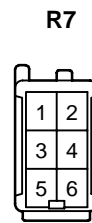
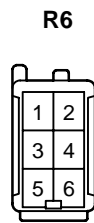
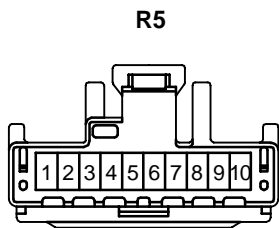
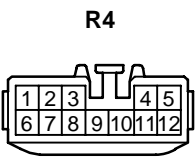
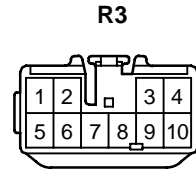
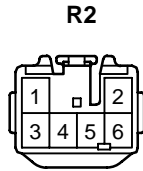
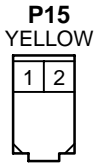
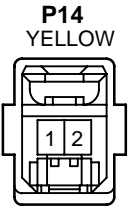
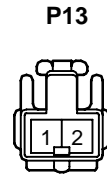
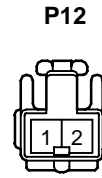
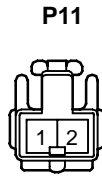
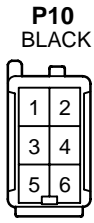
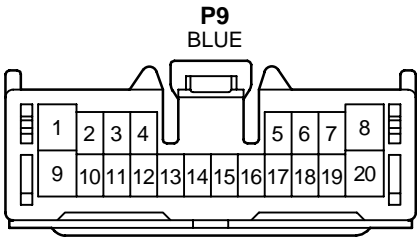


**P7**  
GRAY



**P8**

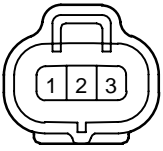




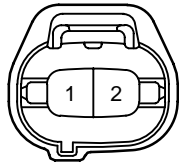
# K CONNECTOR LIST

---

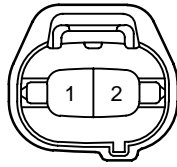
**V1**  
BLACK



**V2**  
BLUE



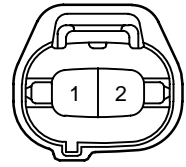
**V3**  
BROWN



**V4**  
BLACK



**V5**  
BLACK



**V6**  
BLUE



**W1**  
BLACK



**W2**  
BLACK



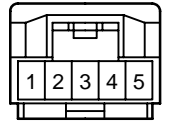
**W3**  
GRAY



**W4**  
DARK GRAY



**W5**





# L PART NUMBER OF CONNECTORS

Code	Part Name	Part Number	Code	Part Name	Part Number
A 1	A/C Condenser Fan Motor	90980-11237	B20	Buckle SW and Tension Reducer LH	90980-11471
A 2	A/C Magnetic Clutch and Lock Sensor	90980-10942	B21	Buckle SW RH and Seat Belt Warning Occupant Detection Sensor	
A 3	A/C Triple Pressure SW (A/C Dual and Single Pressure SW)	90980-10943	B22	Battery Input Relay	90980-12199
A 4	ABS Speed Sensor Front LH	90980-11003	C 1	Camshaft Position Sensor	90980-10947
A 5	ABS Speed Sensor Front RH				
A 6	Ambient Temp. Sensor	90980-11070	C 2	Camshaft Timing Oil Control Valve	90980-11162
A 7	A/C Amplifier	90980-11911	C 3	Circuit Breaker Sensor	90980-11898
A 8	A/C Amplifier	90980-11913	C 4	Converter	90980-10942
A 9	A/C Amplifier	90980-11927	C 5	Converter	90980-11963
A10	A/C Room Temp. Sensor	90980-11919	C 6	Crankshaft Position Sensor	90980-12028
A11	A/C Solar Sensor				
A12	A/C Thermistor				
A13	Accel Position Sensor	90980-11144	C 7	Center Cluster SW	90980-10801
A14	Air Inlet Control Servo Motor	90980-11921	C 8	Cigarette Lighter	90980-10760
A15	Air Mix Control Servo Motor	90980-11909	C10	Combination Meter	90980-11927
A16	Air Vent Mode Control Servo Motor				
A17	Airbag Sensor Assembly	90980-11869	C11	Combination Meter	90980-11923
A18	Airbag Sensor Assembly	90980-11872	C12	Combination SW	90980-11594
A19	Airbag Sensor Assembly	90980-11867	C13	Combination SW	90980-11672
A20	Airbag Squib (Front Passenger Airbag Assembly)	90980-11884	C14	Combination SW	90980-11616
A21	Airbag Squib (Steering Wheel Pad)	90980-10850	D 1	DC Motor	90980-10838
A22	Ashtray Illumination	90980-12111	D 2	Data Link Connector 3	90980-11665
A23	ABS Speed Sensor Rear LH	90980-11060	D 3	Daytime Running Light Relay	90980-12034
A24	ABS Speed Sensor Rear RH				
B 1	Brake Actuator	90980-11087	D 4	Diode (Door Courtesy)	90980-11251
B 2	Brake Actuator	90980-11161	D 5	Diode (Daytime Running Light)	90980-10962
B 3	Brake Actuator	90980-11698	D 6	Door Courtesy SW Front LH	90980-10871
B 4	Brake Fluid Level Warning SW	90980-11207	D 7	Door Courtesy SW Front RH	
B 5	Back-Up Light Relay	82660-20340	D 8	Door Courtesy SW Rear LH	
B 6	Blower Motor	90980-10214	D 9	Door Courtesy SW Rear RH	90980-10797
B 7	Blower Motor Linear Controller	90980-11676	D10	Door Lock Control SW Front RH	
B 8	Body ECU	90980-11971	D11	Door Lock Motor and Door Unlock Detection SW Rear LH	90980-11150
B 9	Body ECU	90980-11973	D12	Door Lock Motor and Door Unlock Detection SW Rear RH	
B10	Brake ECU	90980-11935	D13	Door Lock Motor, Door Key Lock and Unlock SW and Door Unlock Detection SW Front LH	90980-11858
B11	Brake ECU	90980-11476	D14	Door Lock Motor, Door Key Lock and Unlock SW and Door Unlock Detection SW Front RH	
B12	Brake ECU	90980-11637	E 1	Engine Coolant Temp. Sensor	90980-10737
B13	Brake ECU	90980-11638	E 2	Engine Hood Courtesy SW	90980-11189
B14	Brake Warning Buzzer	90980-10906	E 3	EMPS ECU	90980-12012
B15	Battery Blower Motor	82824-47130	E 4	EMPS ECU	90980-11579
B16	Battery Blower Motor Controller	90980-11676	E 5	EMPS ECU	90980-12120
B17	Battery ECU	90980-11392	E 6	EMPS ECU	90980-11923
B18	Battery ECU	90980-11424	E 7	Engine Control Module	90980-11421
B19	Battery Fan Relay	82660-20340	E 8	Engine Control Module	90980-11476
			E 9	Engine Control Module	90980-11637

Note: Not all of the above part numbers of the connector are established for the supply.



Code	Part Name	Part Number	Code	Part Name	Part Number	
E10	Engine Control Module	90980-11638	I10	Inverter	90980-10891	
F 1	Front Airbag Sensor LH	90980-11856	I11	Inverter	90980-10988	
F 2	Front Airbag Sensor RH		I12	Inverter	90980-10897	
F 3	Front Parking Light LH	90980-11162	I13	Inverter	90980-11943	
F 4	Front Parking Light RH		I14	Inverter	90980-11944	
F 5	Front Side Marker Light LH		I15	Ignition SW	90980-11615	
F 6	Front Side Marker Light RH		I16	Interior Light	90980-10860	
F 7	Front Turn Signal Light LH	90980-11019	I17	Interlock SW	90980-11918	
F 8	Front Turn Signal Light RH		J 1	Junction Connector	90980-10976	
F 9	Front Wiper Motor	90980-11599	J 2	Junction Connector	90980-11742	
F10	Fusible Link Block No.1	-	J 3	Junction Connector		
F11	Fusible Link Block No.1		J 4	Junction Connector	90980-11661	
F12	Fusible Link Block No.1		J 5	Junction Connector		
F13	Fusible Link Block No.1		90980-11775	J 6	Junction Connector (w/ Daytime Running Light)	90980-11542
F14	Front Door Speaker LH	90980-10935	J 6	Junction Connector (w/o Daytime Running Light)	90980-11529	
F15	Front Door Speaker RH		J 7	Junction Connector	90980-10803	
F16	Fuel Pump and Fuel Sender	82824-47160	J 8	Junction Connector	90980-11661	
F17	Fusible Link Block No.2	90980-10916	J 9	Junction Connector		
F18	Fusible Link Block No.2	90980-11775	J10	Junction Connector	90980-11398	
G 1	Gateway ECU	90980-11911	J11	Junction Connector	90980-10976	
H 1	Headlight LH	90980-11314	J12	Junction Connector	90980-11661	
H 2	Headlight RH		J13	Junction Connector		
H 3	Heated Oxygen Sensor (Bank 1 Sensor1)	90980-11028	J14	Junction Connector		
H 4	Horn	90980-10619	J15	Junction Connector		
H 5	Hydraulic Booster	90980-10939	J16	Junction Connector	90980-11915	
H 6	Hydraulic Booster	90980-10946	J17	Junction Connector	90980-10976	
H 7	Hazard Warning SW	90980-11319	J18	Junction Connector	90980-11661	
H 8	Hazard Warning SW	90980-11921	J19	Junction Connector		
H 9	Heated Oxygen Sensor (Bank 1 Sensor 2)	90980-11028	J20	Junction Connector	90980-11915	
H10	Hybrid Vehicle Control ECU	90980-11638	J21	Junction Connector		
H11	Hybrid Vehicle Control ECU	90980-11637	J22	Junction Connector	90980-11661	
H12	Hybrid Vehicle Control ECU	90980-11586	J23	Junction Connector		
H13	Hybrid Vehicle Control ECU	90980-11476	J24	Junction Connector		
H14	Hybrid Vehicle Control ECU	90980-11421	J25	Junction Connector		
H15	High Mounted Stop Light	90980-11060	J26	Junction Connector	90980-11915	
H16	Hybrid Vehicle Battery	-	J27	Junction Connector		
H17	Hybrid Vehicle Battery		J28	Junction Connector		
I 1	Ignition Coil and Igniter No.1	90980-11885	J29	Junction Connector	90980-11398	
I 2	Ignition Coil and Igniter No.2		J30	Junction Connector	90980-11661	
I 3	Ignition Coil and Igniter No.3		J31	Junction Connector		
I 4	Ignition Coil and Igniter No.4		J32	Junction Connector		
I 5	Injector No.1	90980-11875	J33	Junction Connector	90980-11166	
I 6	Injector No.2		K 1	Knock Sensor		
I 7	Injector No.3		90980-11034	L 1	Light Control Rheostat	90980-10797
I 8	Injector No.4					
I 9	Inverter					

## L PART NUMBER OF CONNECTORS

Code	Part Name	Part Number	Code	Part Name	Part Number
L 2	License Plate Light LH	90980-11148	S 4	Side Airbag Sensor LH	90980-11857
L 3	License Plate Light RH		S 5	Side Airbag Sensor RH	
L 4	Luggage Compartment Door Unlock SW	90980-11212	S 6	Side Airbag Squib LH	90980-11864
L 5	Luggage Compartment Light	90980-11148	S 7	Side Airbag Squib RH	
L 6	Luggage Compartment Light SW	90980-11097	S 8	System Main Relay	90980-11529
M 1	Mass Air Flow Meter	90980-11317	S 9	System Main Relay	82675-36050
M 2	Motor Generator No.1	90980-11658	S10	System Main Relay	
M 3	Motor Generator No.2	90980-11034	S11	System Main Relay	
M 4	Motor Generator No.2	90980-11143	S12	System Main Relay	-
M 5	Multi Display	90980-11911	T 1	Theft Deterrent Horn	90980-10619
M 6	Multi Display	90980-11923	T 2	Throttle Control Motor	90980-11162
M 7	Multi Display	90980-10799	T 3	Throttle Position Sensor	90980-10711
N 1	Noise Filter (Ignition)	90980-10843	T 4	Transponder Key Computer	90980-11475
N 2	Navigation ECU	90980-11973	T 5	Turn Signal Flasher Relay	90980-10799
N 3	Navigation ECU	90980-11923	T 6	Tension Reducer Solenoid	90980-11918
N 4	Noise Filter (Rear Window Defogger)	90980-11259	U 1	Unlock Warning SW and Key Interlock Solenoid	90980-10795
O 1	Oil Pressure SW	90980-11363	V 1	Vacuum Sensor (HC Adsorber and Catalyst System)	90980-10845
P 1	Park/Neutral Position SW	90980-11535	V 2	VSV (EVAP)	90980-11156
P 2	Parking Brake SW	90980-11147	V 3	VSV (HC Adsorber and Catalyst System)	90980-11149
P 3	PTC Heater	90980-10903	V 4	Vapor Pressure Sensor	90980-11143
P 4	PTC Heater	90980-10867	V 5	VSV (Canister Closed Valve)	90980-11156
P 5	Personal Light	90980-11212	V 6	VSV (Purge Flow Switching Valve)	90980-11859
P 6	Power Window Control SW Front RH	90980-10797	W 1	Washer Motor	90980-10981
P 7	Power Window Control SW Rear LH		W 2	Water Pump Motor (A/C)	90980-10887
P 8	Power Window Control SW Rear RH		W 3	Water Pump Motor (Inverter)	90980-11003
P 9	Power Window Master SW	90980-11469	W 4	Water Temp. SW	90980-11235
P10	Power Window Motor Front LH	90980-11011	W 5	Wireless Door Control Receiver	90980-11909
P11	Power Window Motor Front RH	90980-10860			
P12	Power Window Motor Rear LH				
P13	Power Window Motor Rear RH				
P14	Pretensioner LH	90980-11884			
P15	Pretensioner RH	90980-11862			
R 1	Radiator Fan Motor	90980-11237			
R 2	Radio and Player	90980-10996			
R 3	Radio and Player	90980-10997			
R 4	Radio and Player	90980-10803			
R 5	Remote Control Mirror SW	90980-11657			
R 6	Rear Combination Light LH	90980-11011			
R 7	Rear Combination Light RH				
R 8	Rear Speaker LH	90980-10935			
R 9	Rear Speaker RH				
R10	Remote Control Mirror LH	90980-11587			
R11	Remote Control Mirror RH				
S 1	Steering Shaft Torque Sensor	90980-10942			
S 2	Shift Lock ECU	90980-11488			
S 3	Stop Light SW	90980-11118			

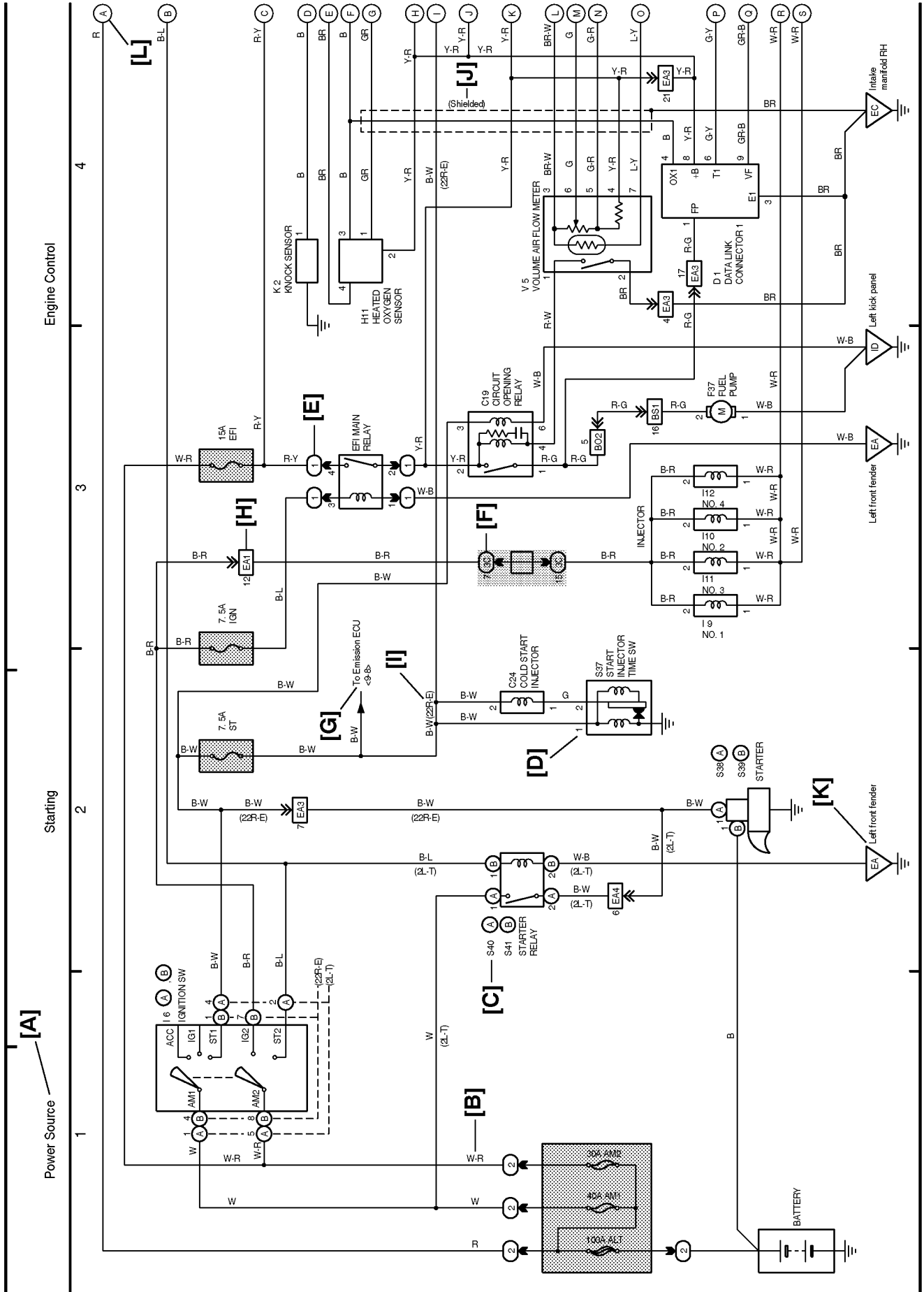
Note: Not all of the above part numbers of the connector are established for the supply.



# M OVERALL ELECTRICAL WIRING DIAGRAM

\* The system shown here is an EXAMPLE ONLY. It is different to the actual circuit shown in the wiring diagram section.

## HOW TO READ THIS SECTION



**[A]** : System Title

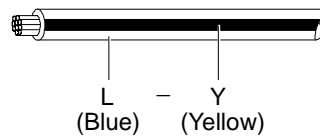
**[B]** : Indicates the wiring color.

Wire colors are indicated by an alphabetical code.

- B = Black    W = White    BR = Brown
- L = Blue    V = Violet    SB = Sky Blue
- R = Red    O = Orange    LG = Light Green
- P = Pink    Y = Yellow    GR = Gray
- G = Green

The first letter indicates the basic wire color and the second letter indicates the color of the stripe.

Example: L - Y

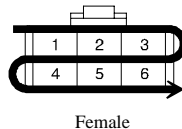


**[C]** : The position of the parts is the same as shown in the wiring diagram and wire routing.

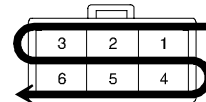
**[D]** : Indicates the pin number of the connector. The numbering system is different for female and male connectors.

Example : Numbered in order from upper left to lower right

Numbered in order from upper right to lower left



Female



Male

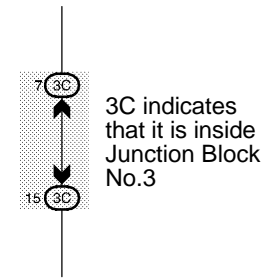
The numbering system for the overall wiring diagram is the same as above

**[E]** : Indicates a Relay Block. No shading is used and only the Relay Block No. is shown to distinguish it from the J/B.

Example : ① Indicates Relay Block No.1

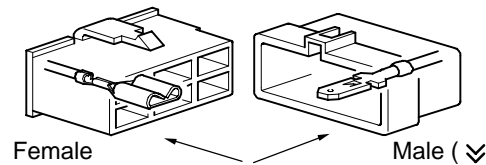
**[F]** : Junction Block (The number in the circle is the J/B No. and the connector code is shown beside it). Junction Blocks are shaded to clearly separate them from other parts.

Example:



**[G]** : Indicates related system.

**[H]** : Indicates the wiring harness and wiring harness connector. The wiring harness with male terminal is shown with arrows (↘). Outside numerals are pin numbers.



**[I]** : ( ) is used to indicate different wiring and connector, etc. when the vehicle model, engine type, or specification is different.

**[J]** : Indicates a shielded cable.

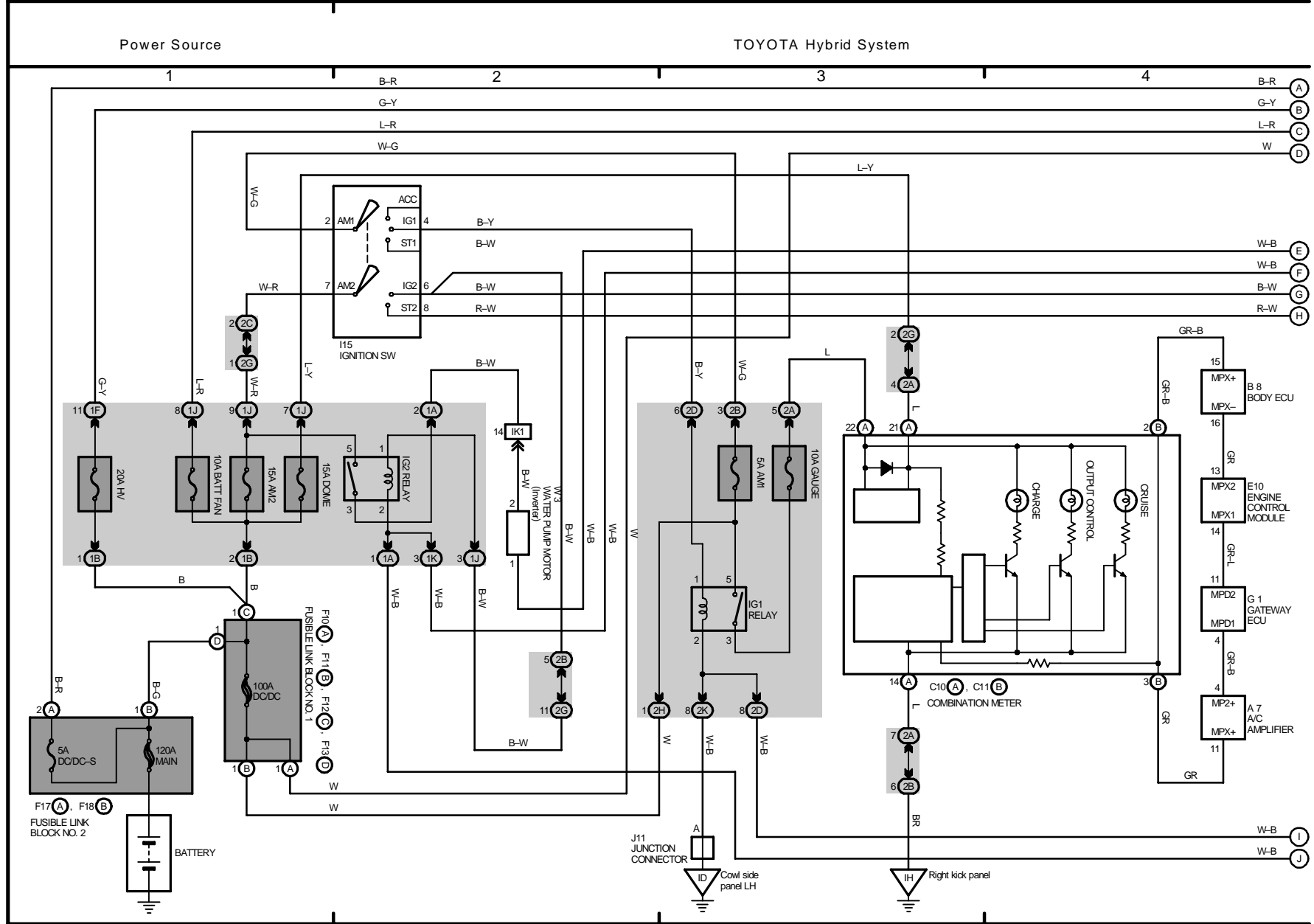


**[K]** : Indicates and located on ground point.

**[L]** : The same code occurring on the next page indicates that the wire harness is continuous.

# SYSTEM INDEX

<b>SYSTEMS</b>	<b>LOCATION</b>	<b>SYSTEMS</b>	<b>LOCATION</b>
ABS .....	19-3	Navigation System .....	14-5
Air Conditioning .....	24-2	Power Source .....	1~24-1
Back-Up Light .....	6-2	Power Window .....	18-2
Cigarette Lighter .....	11-4	Radiator Fan and Condenser Fan .....	22-3
Combination Meter .....	23-2	Radio and Player .....	14-2
Door Lock Control .....	15-2	Rear Window Defogger .....	22-2
Electric Tension Reducer .....	13-4	Remote Control Mirror .....	11-2
EMPS .....	20-3	Seat Belt Warning .....	9-4
Engine Control .....	2-3	Shift Lock .....	13-3
Gateway System .....	14-8	SRS .....	21-2
Headlight (w/ Daytime Running Light) .....	4-2	Stop Light .....	3-4
Headlight (w/o Daytime Running Light) .....	3-2	Taillight .....	7-2
Horn .....	12-2	Theft Deterrent .....	17-2
Hybrid Vehicle Immobiliser System .....	2-16	TOYOTA Hybrid System .....	1-2
Illumination .....	8-2	* Charging	
Interior Light .....	10-3	* Cruise Control	
Key Reminder .....	9-2	* Regenerative Brake	
Light Auto Turn Off .....	9-3	Turn Signal and Hazard Warning Light .....	5-2
Light Reminder Buzzer .....	9-2	Wiper and Washer .....	12-3
		Wireless Door Lock Control .....	16-2

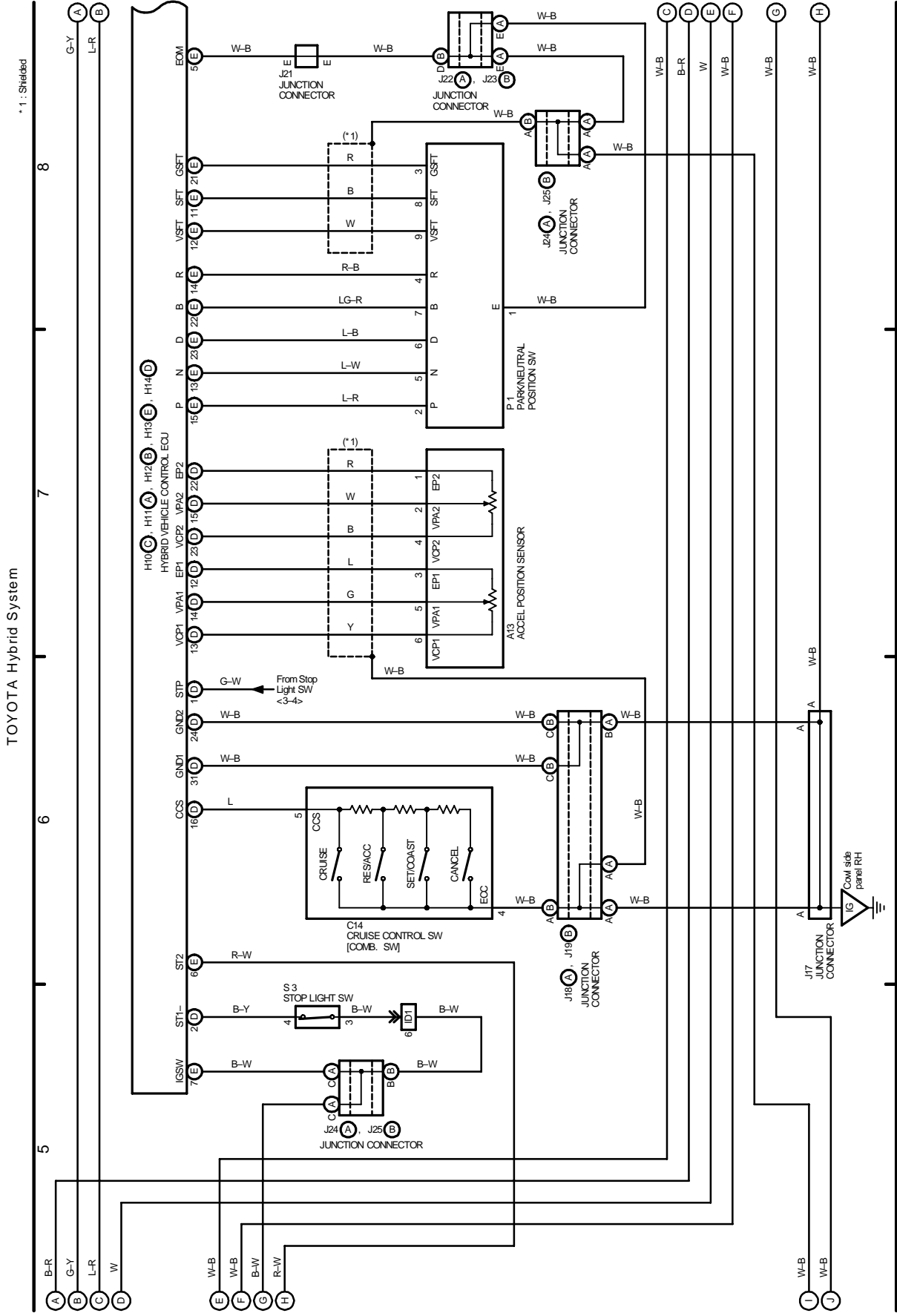


2002 PRIUS (EWD464U)

# M OVERALL ELECTRICAL WIRING DIAGRAM

1 PRIUS (Cont' d)

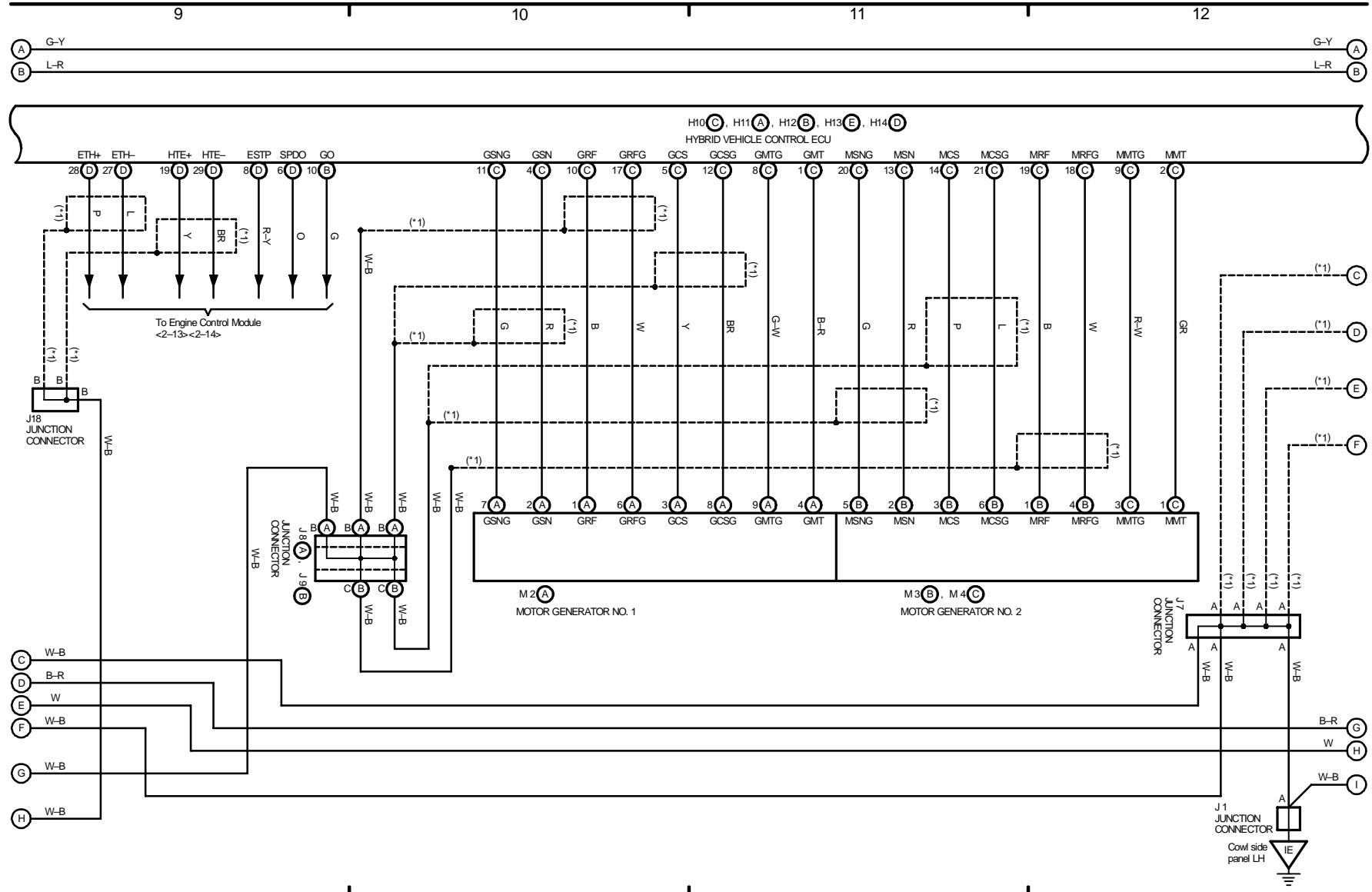
(Cont. next page)





TOYOTA Hybrid System

\* 1 : Shielded



2002 PRIUS (EWD464U)

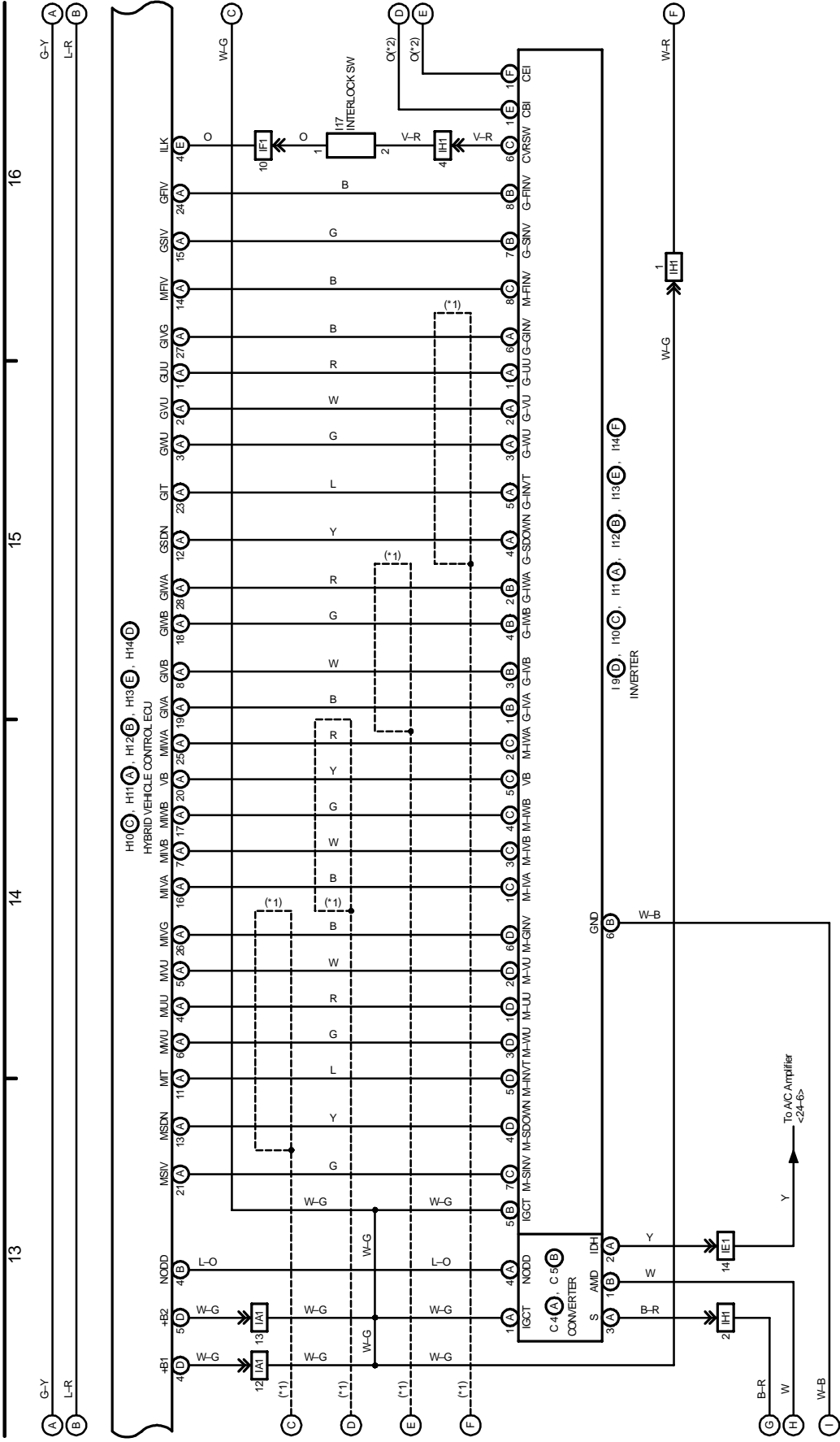
# M OVERALL ELECTRICAL WIRING DIAGRAM

1 PRIUS (Cont' d)

(Cont. next page)

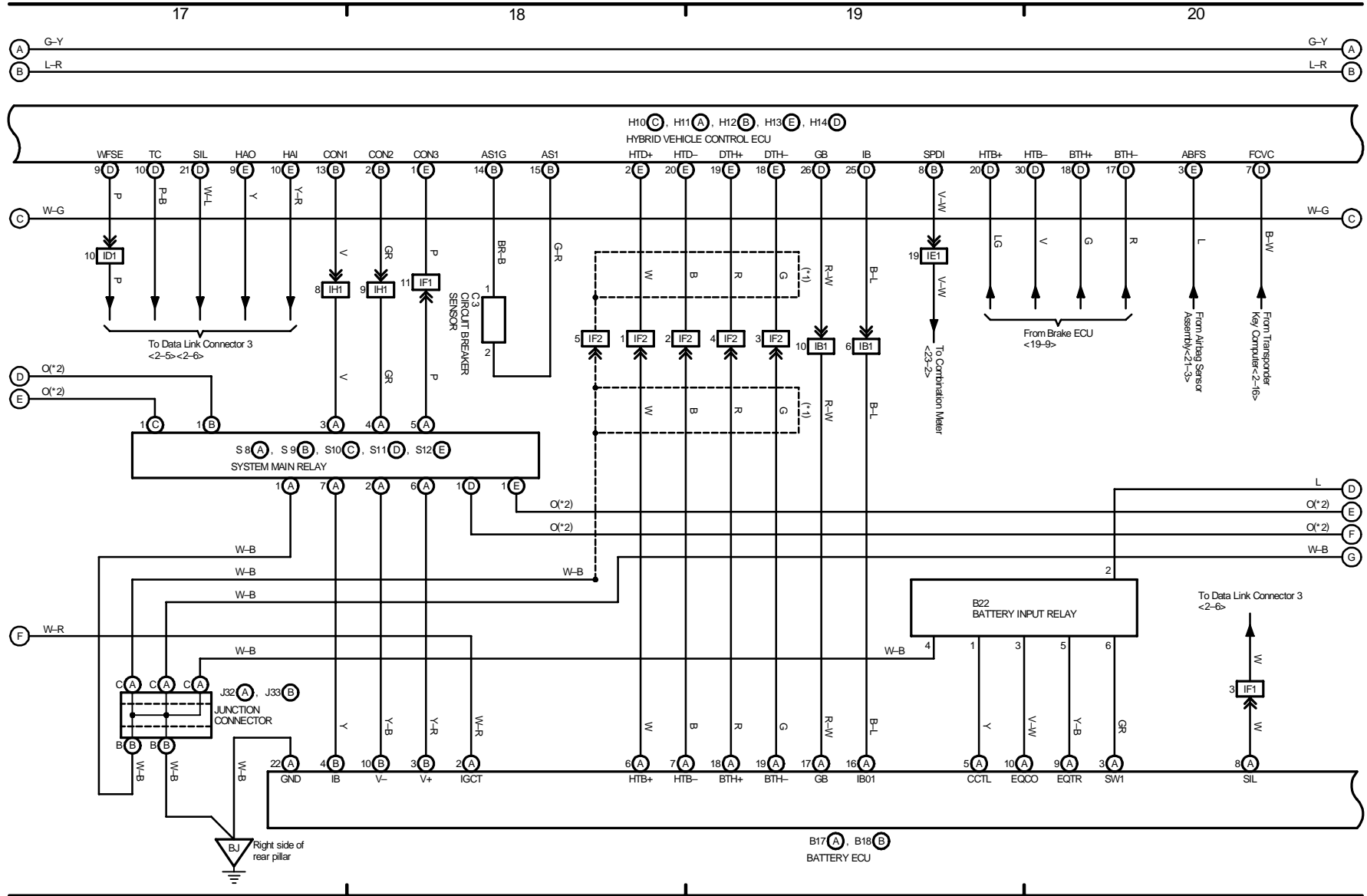
TOYOTA Hybrid System

TOYOTA Hybrid System



TOYOTA Hybrid System

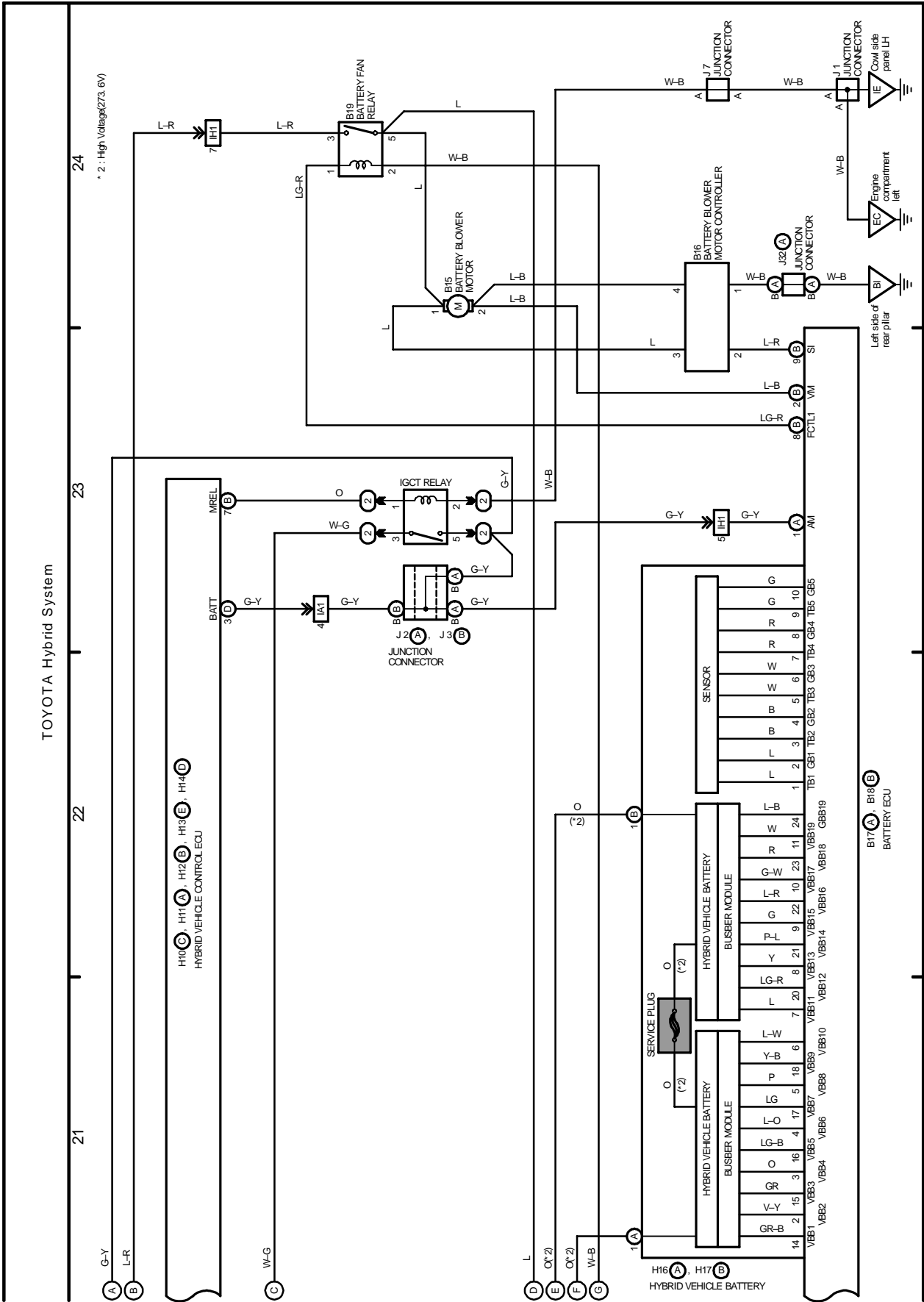
\* 1 : Shielded  
\* 2 : High Voltage(273.6V)



2002 PRIUS (EWD464U)

# M OVERALL ELECTRICAL WIRING DIAGRAM

1 PRIUS (Cont' d)

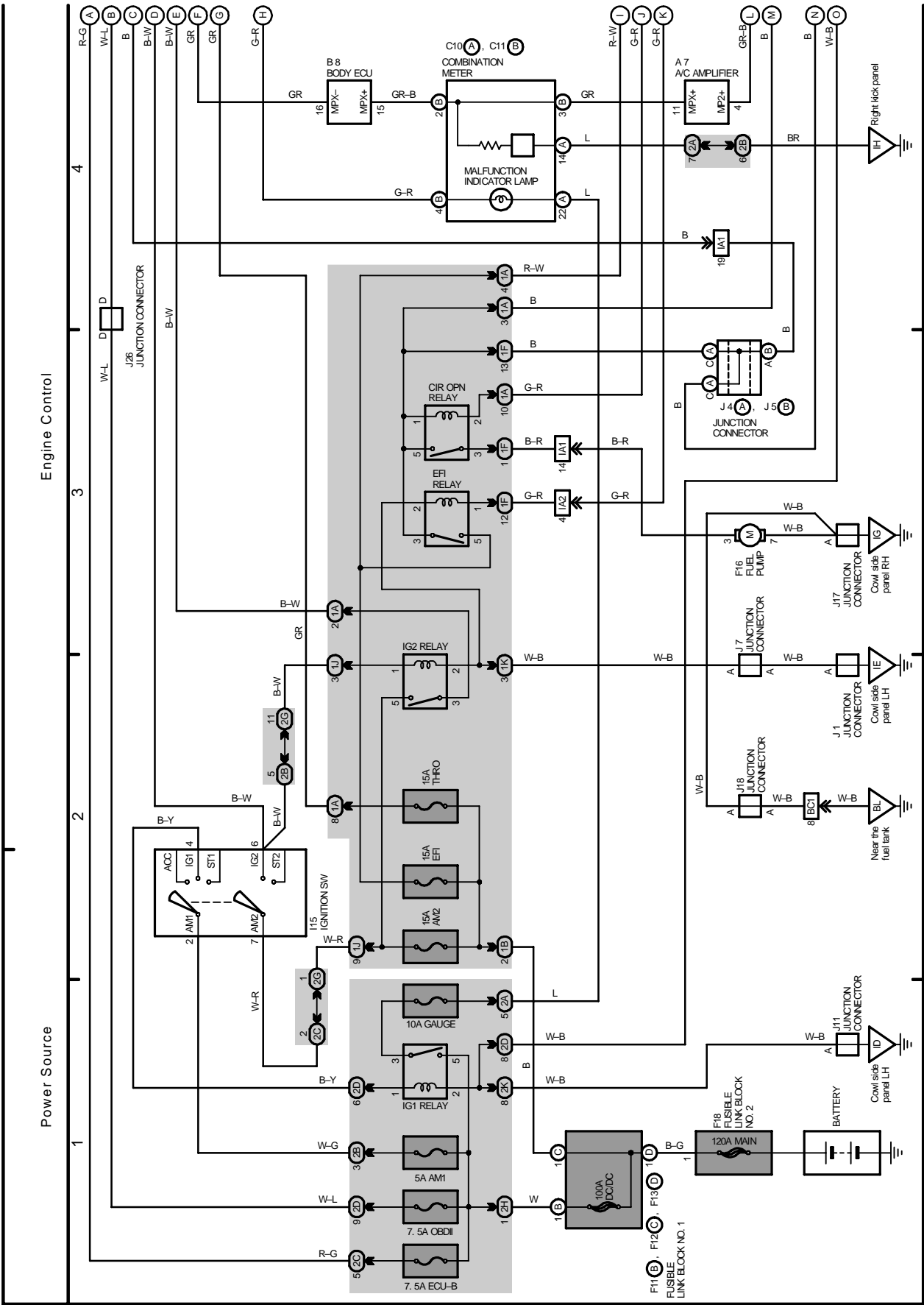




# M OVERALL ELECTRICAL WIRING DIAGRAM

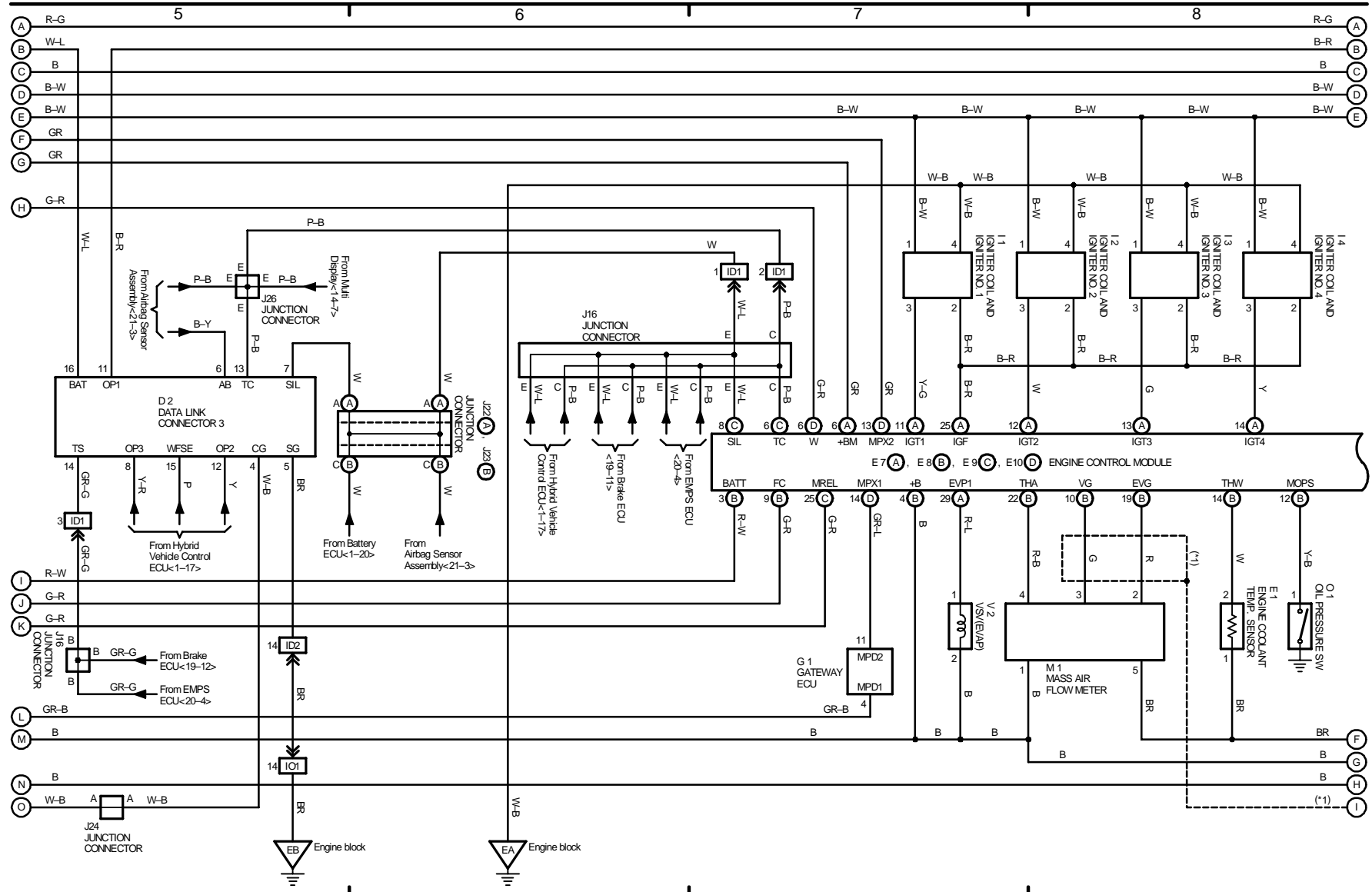
2 PRIUS

(Cont. next page)



Engine Control

\* 1 : Shielded

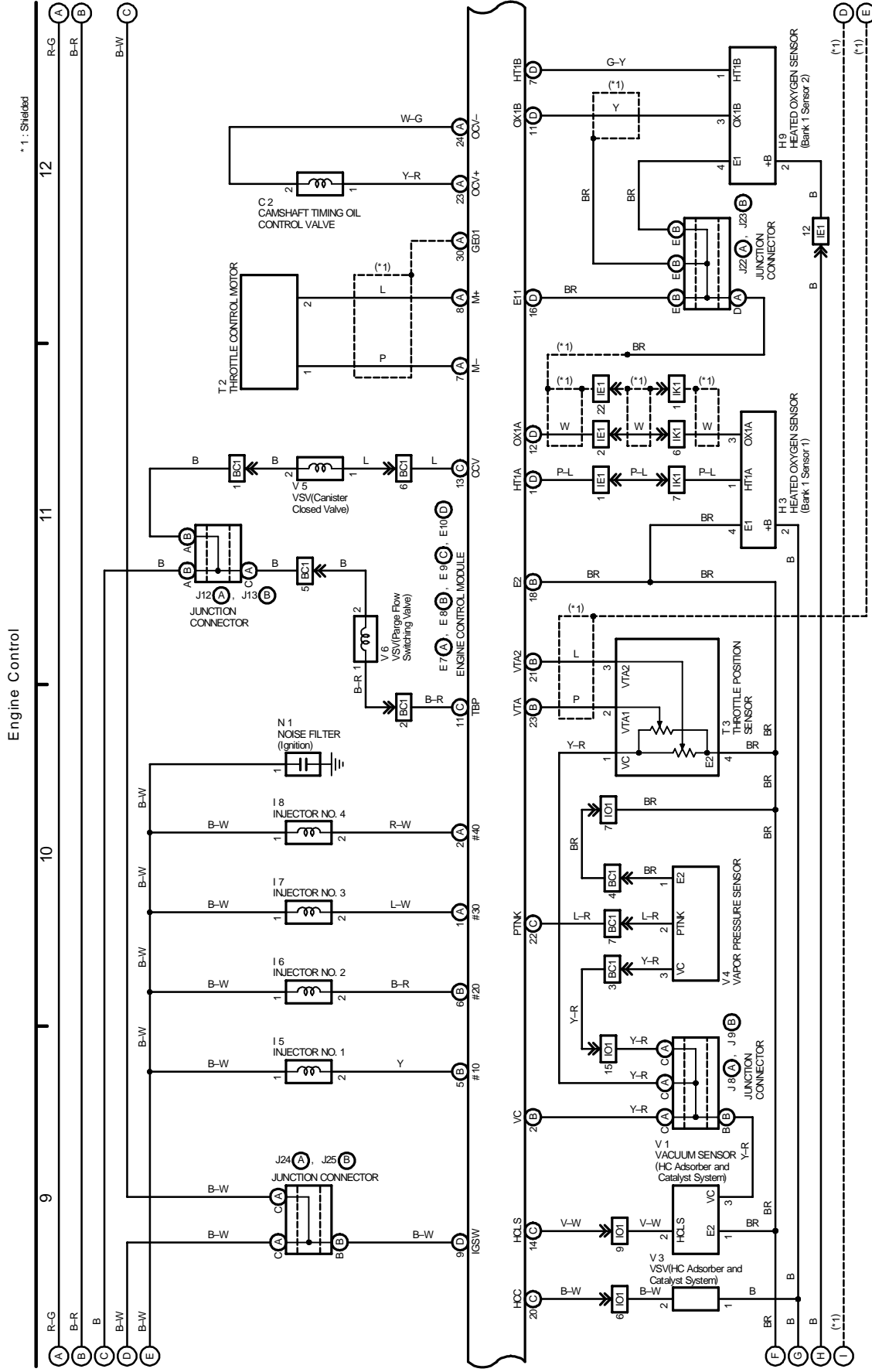


2002 PRIUS (EWD464U)

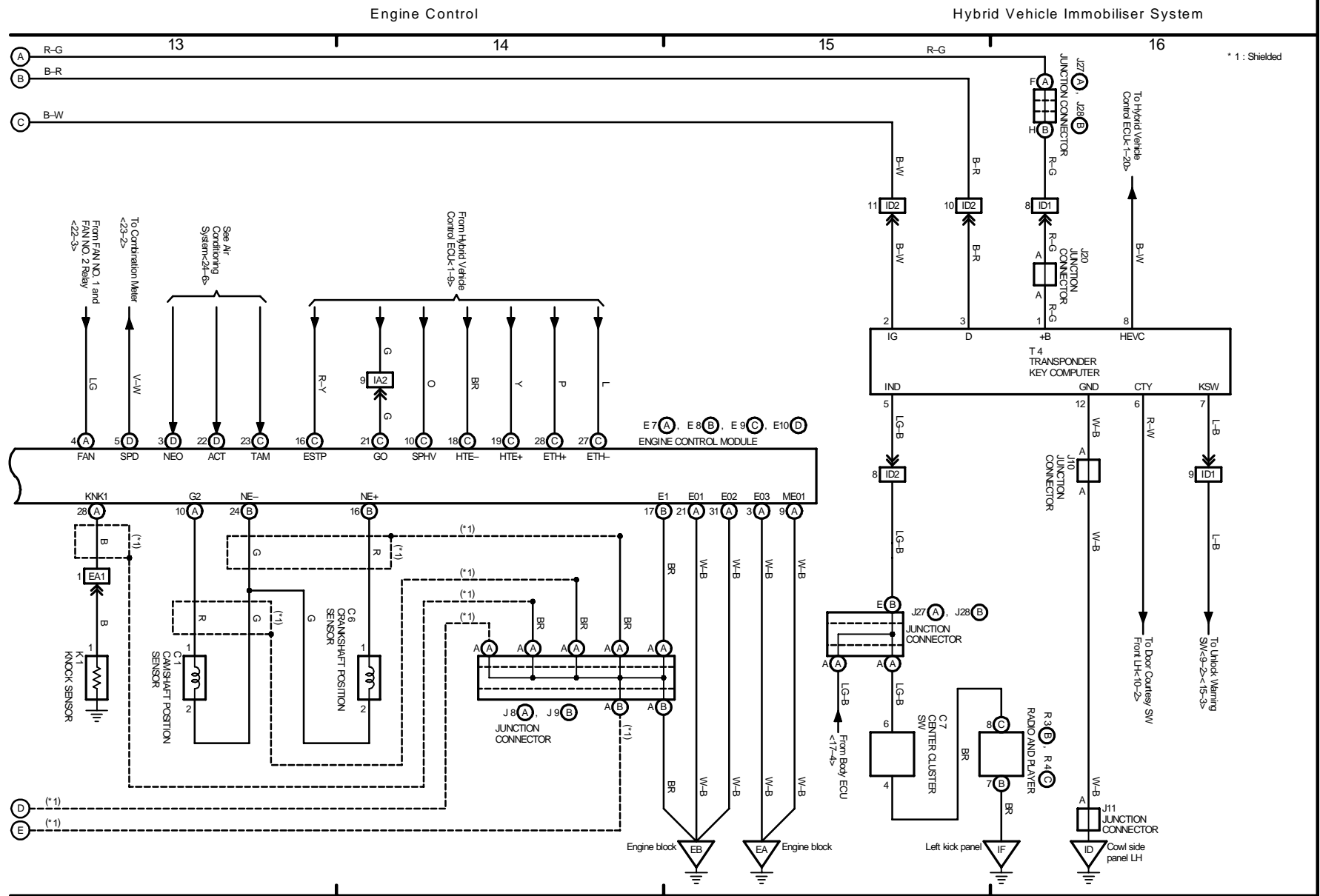
# M OVERALL ELECTRICAL WIRING DIAGRAM

2 PRIUS (Cont' d)

(Cont. next page)



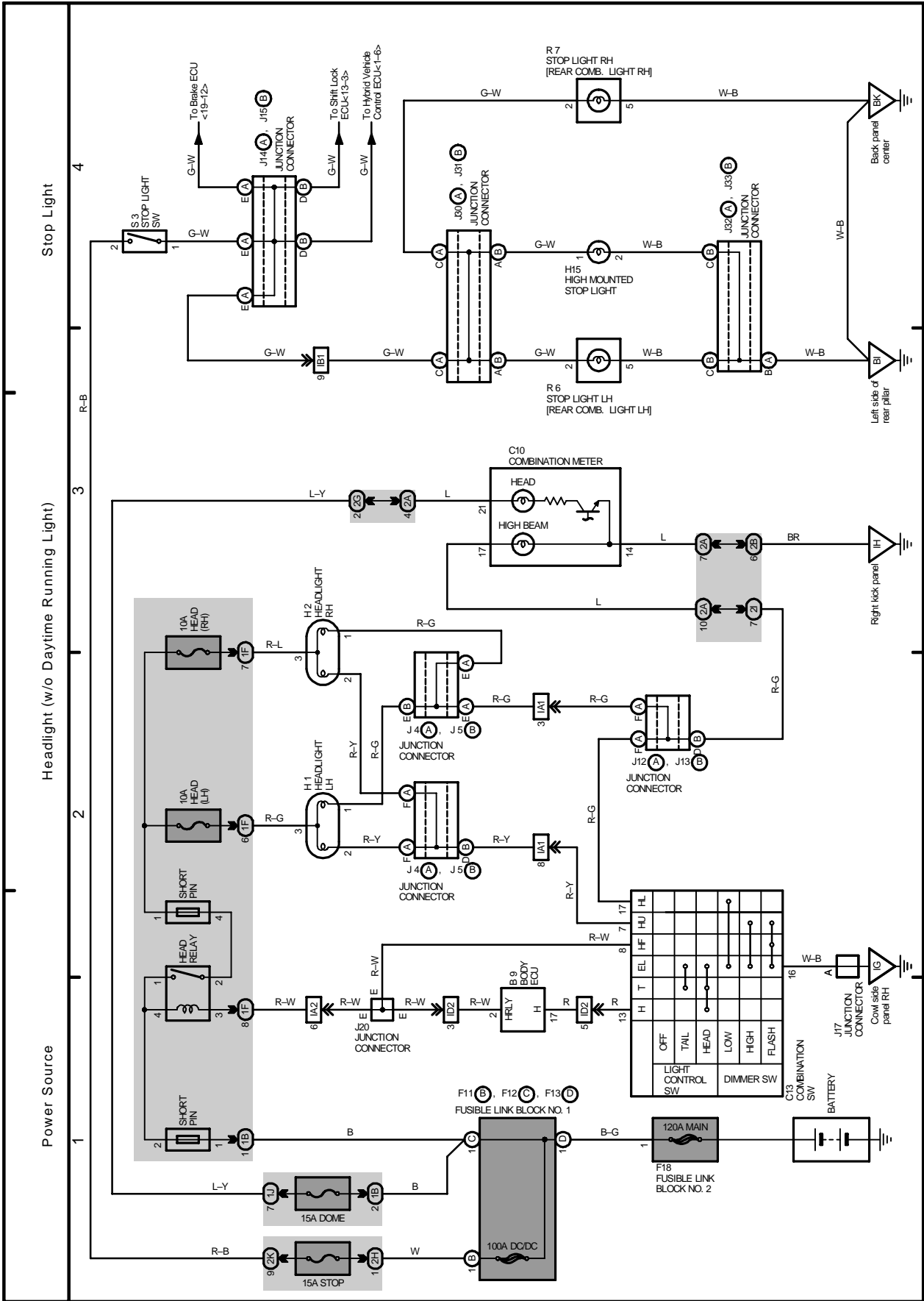


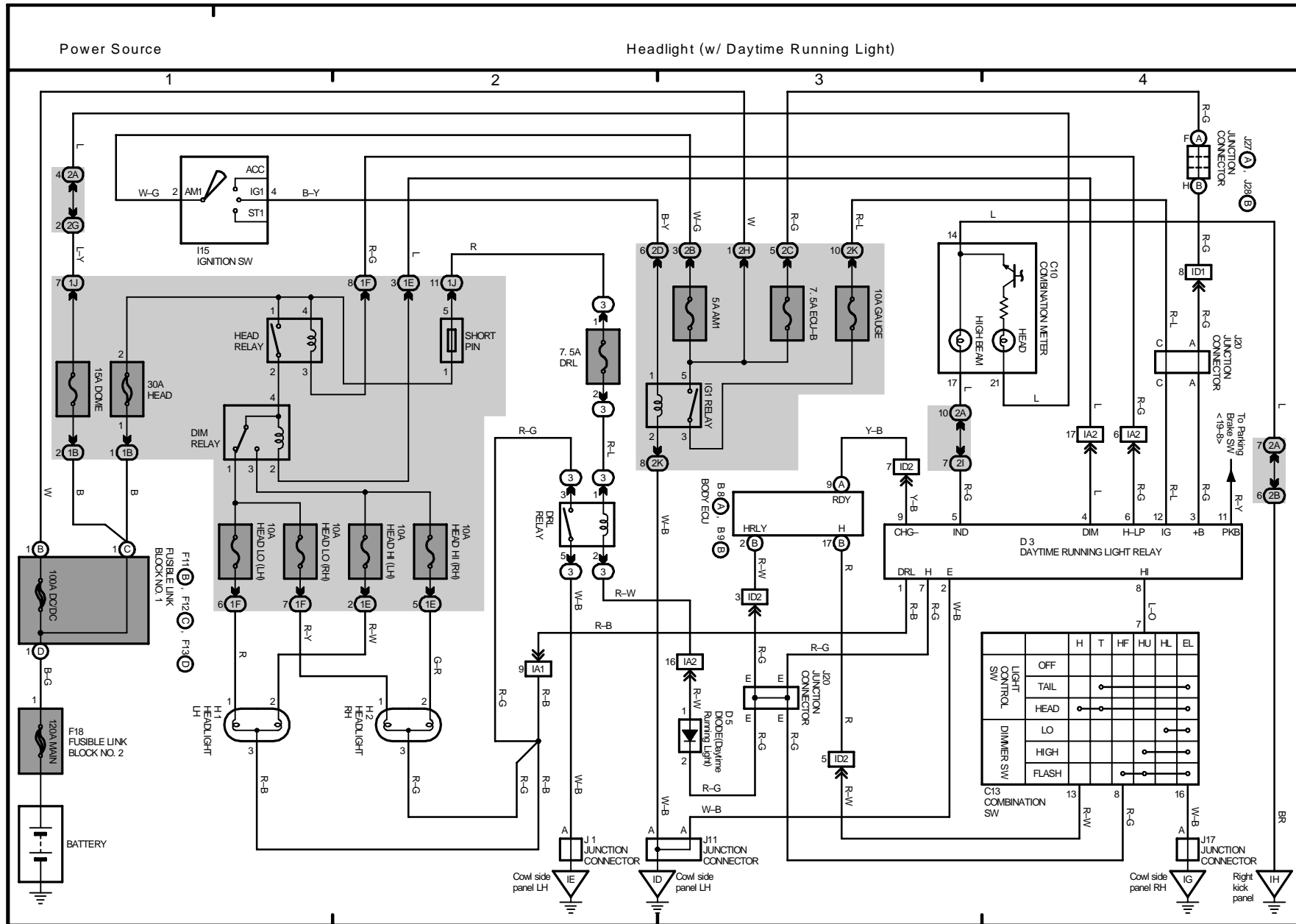


2002 PRIUS (EWD464U)

# M OVERALL ELECTRICAL WIRING DIAGRAM

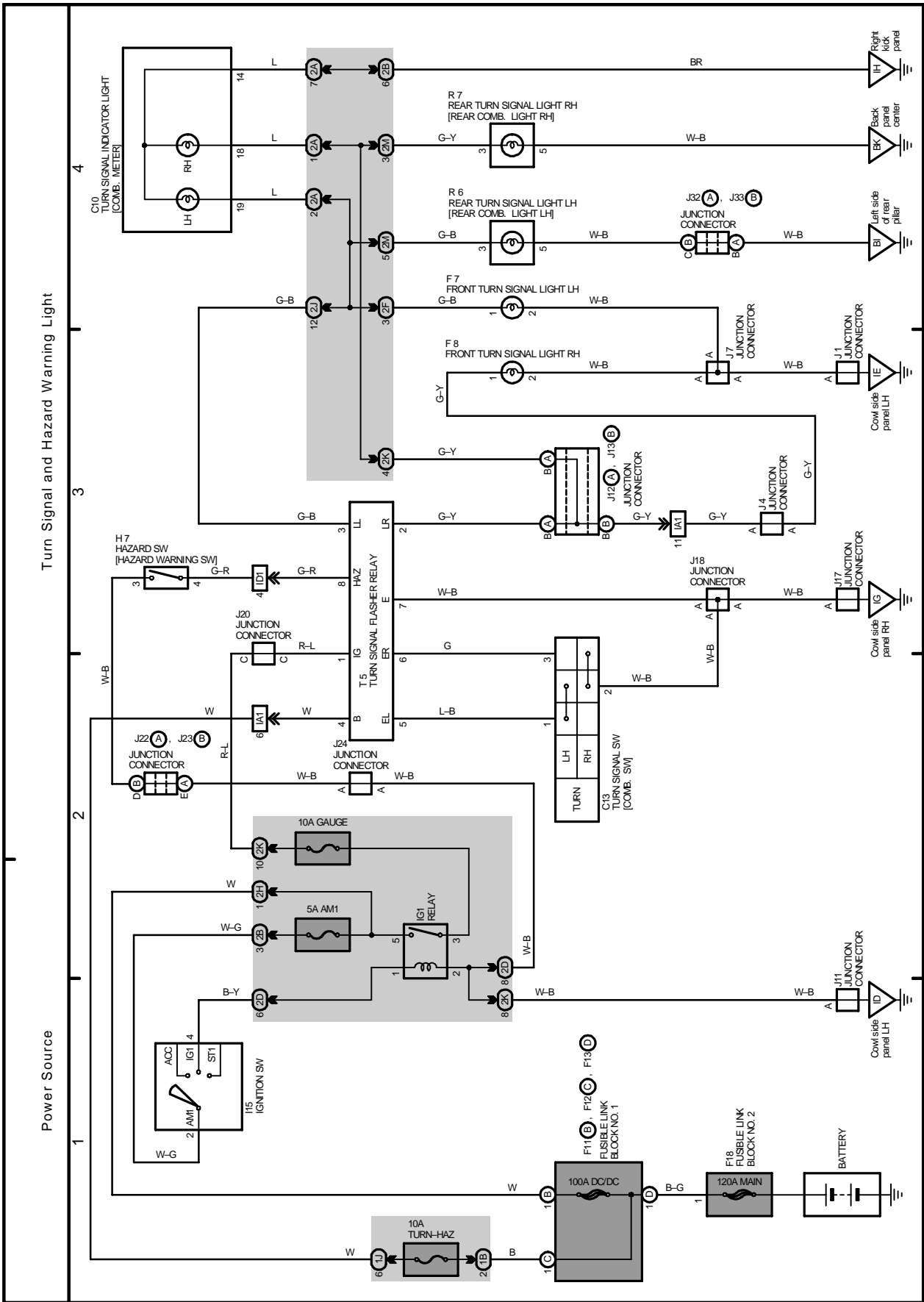
3 PRIUS

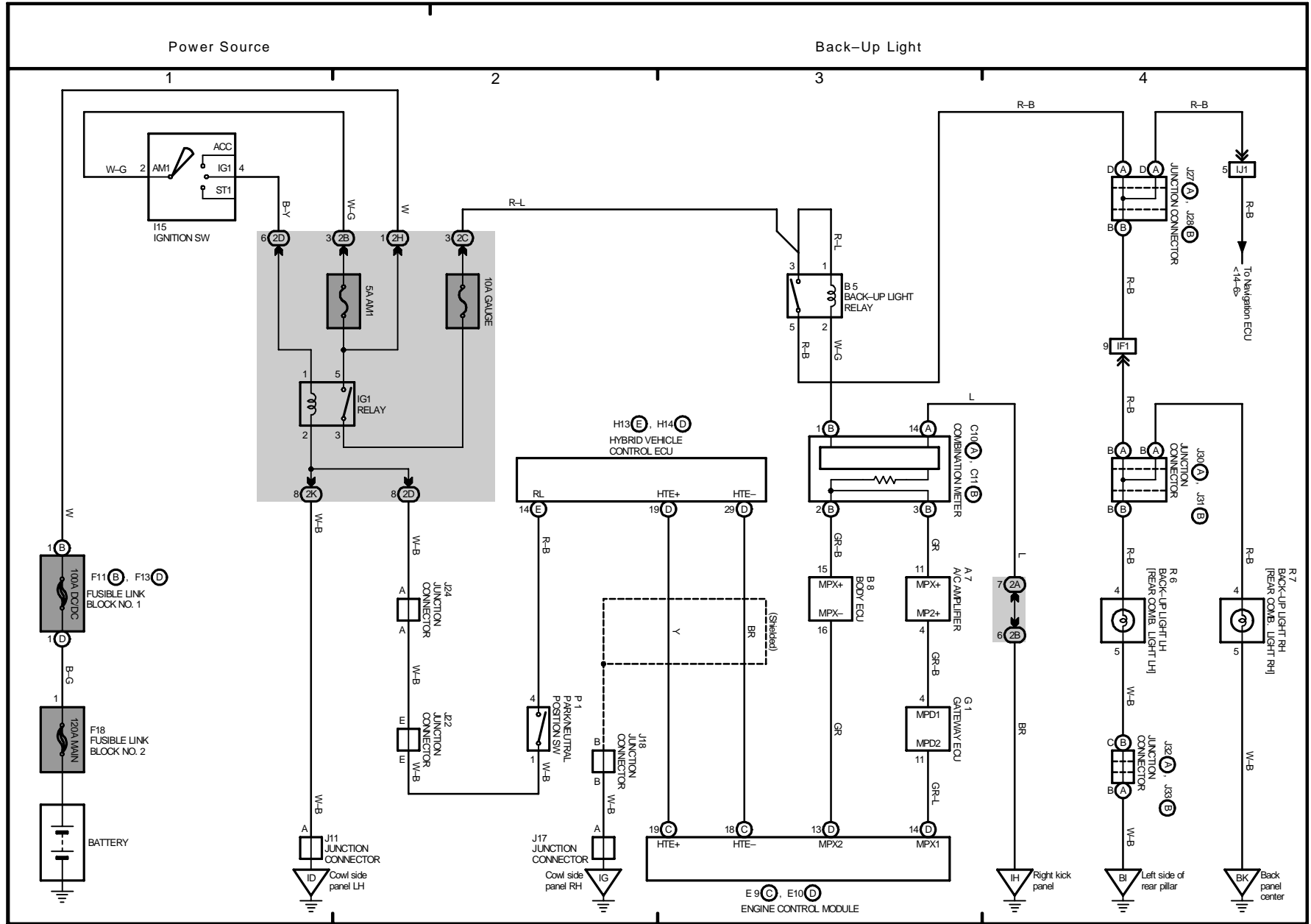




# M OVERALL ELECTRICAL WIRING DIAGRAM

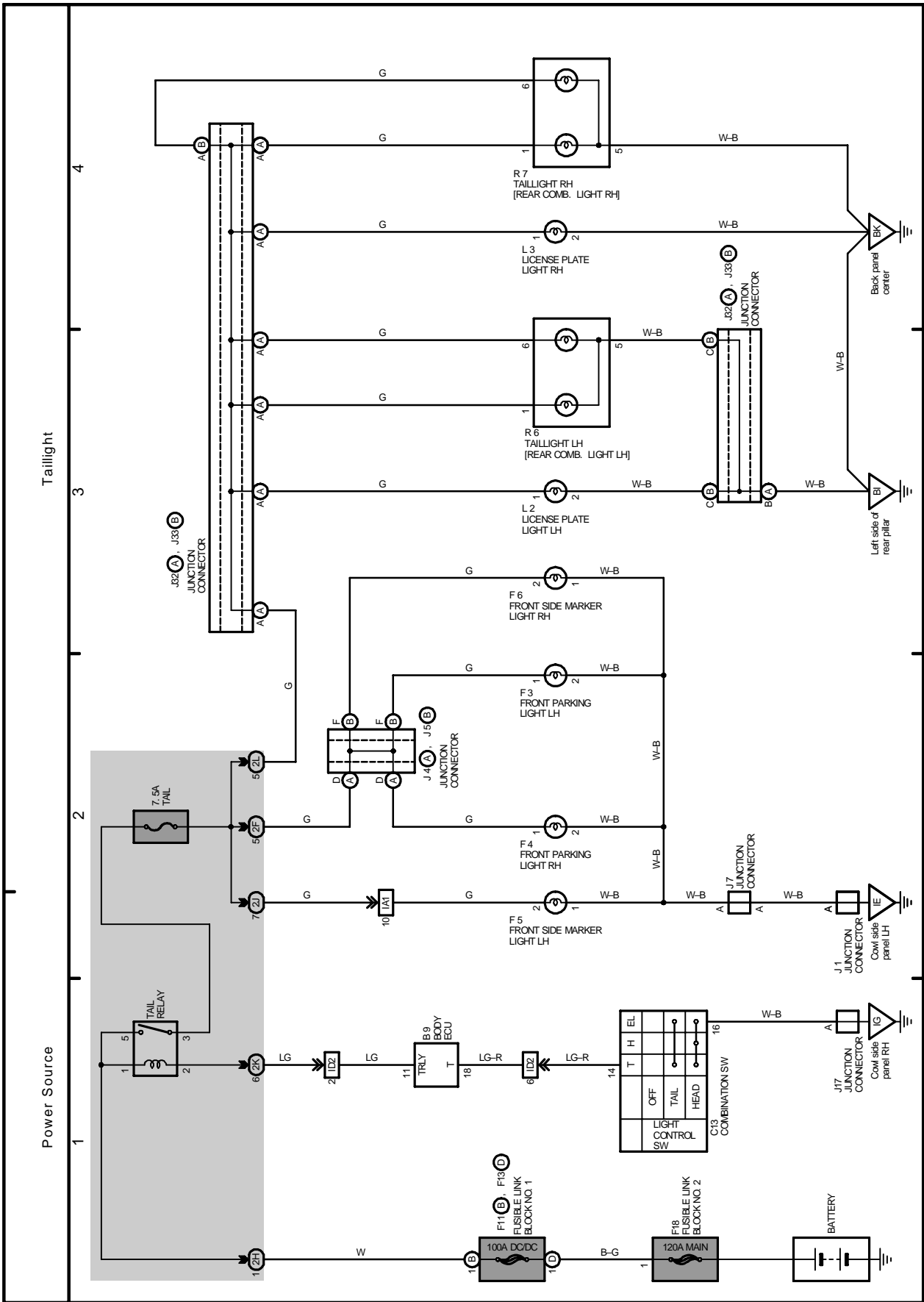
5 PRIUS

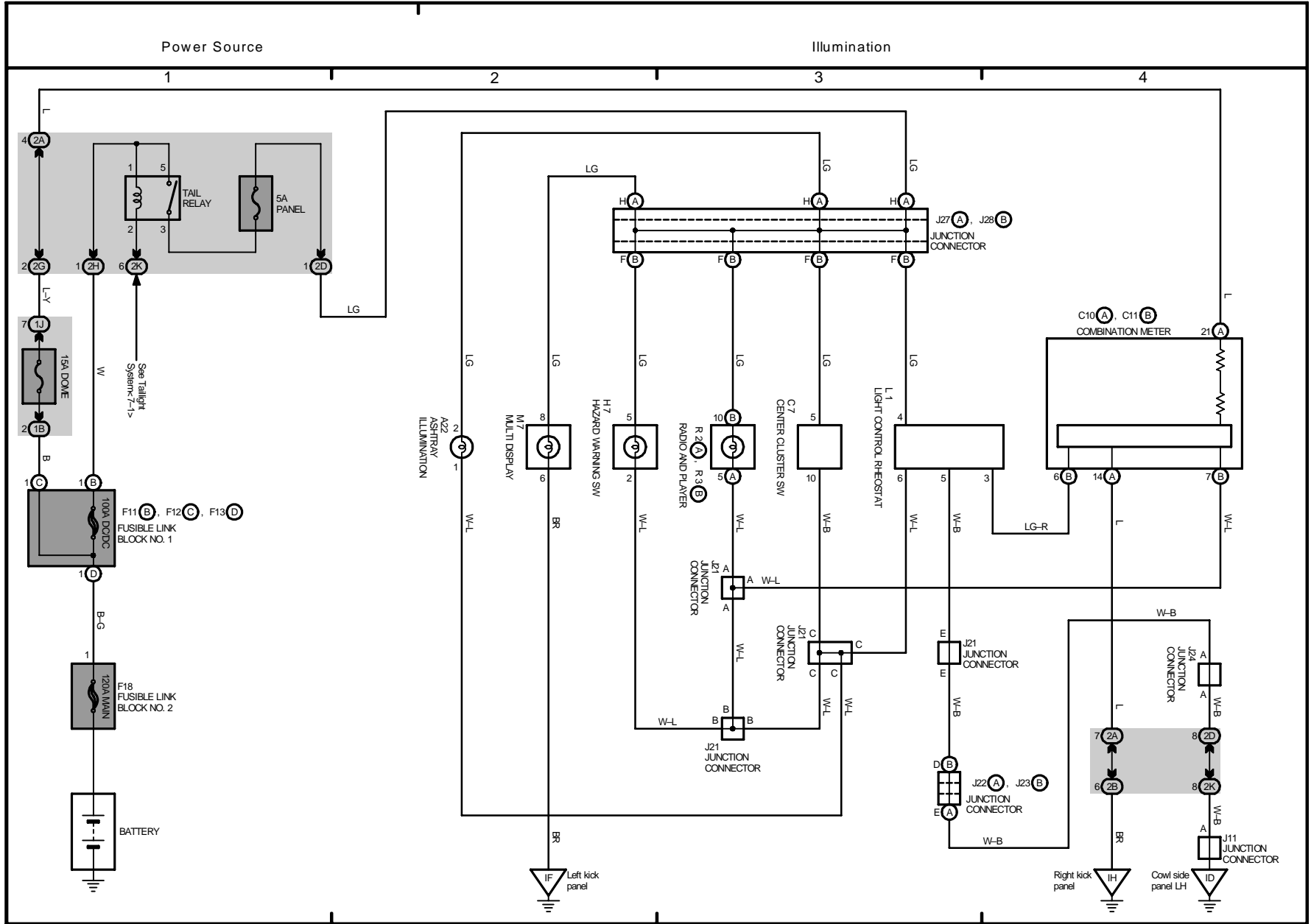




# M OVERALL ELECTRICAL WIRING DIAGRAM

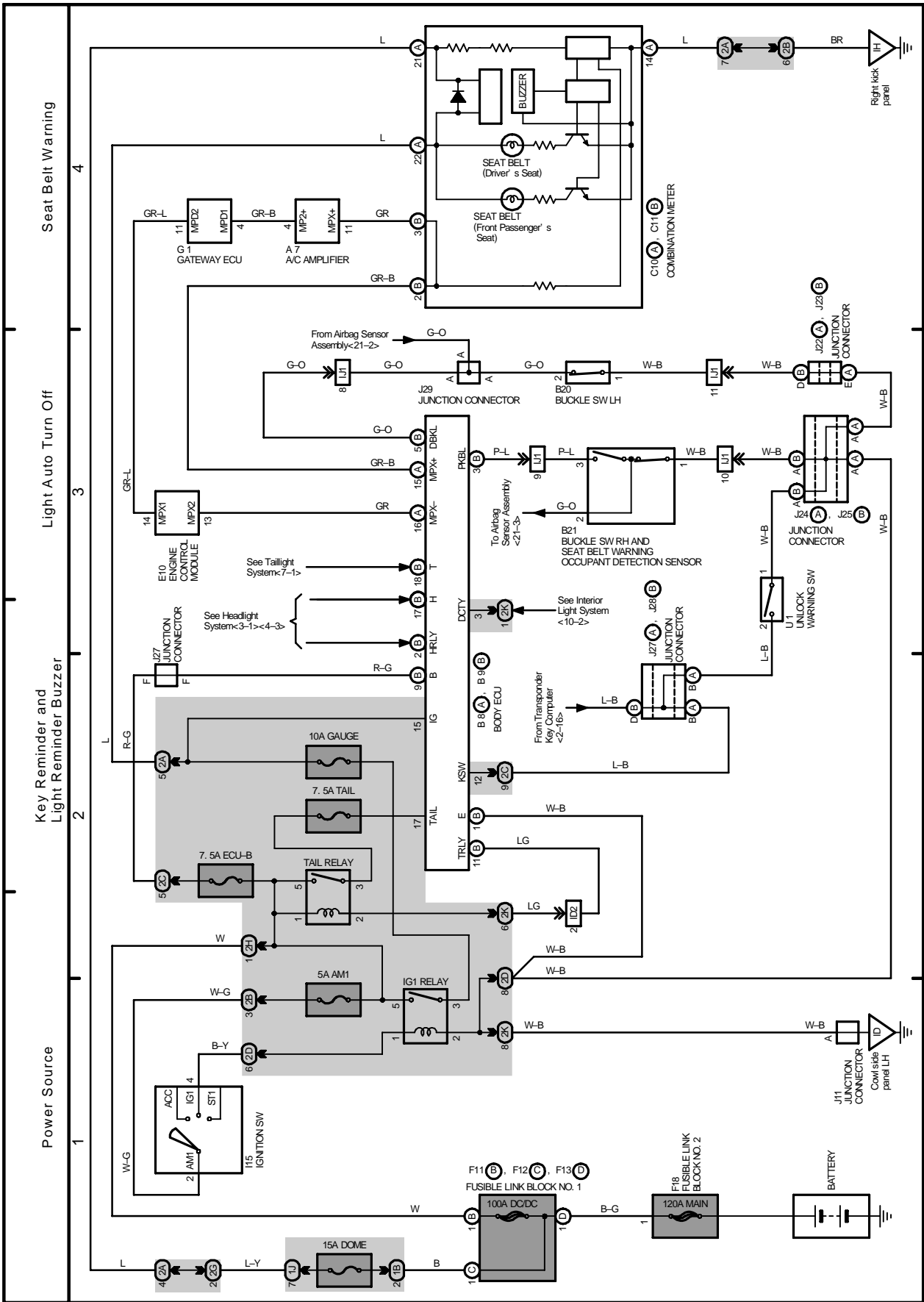
7 PRIUS



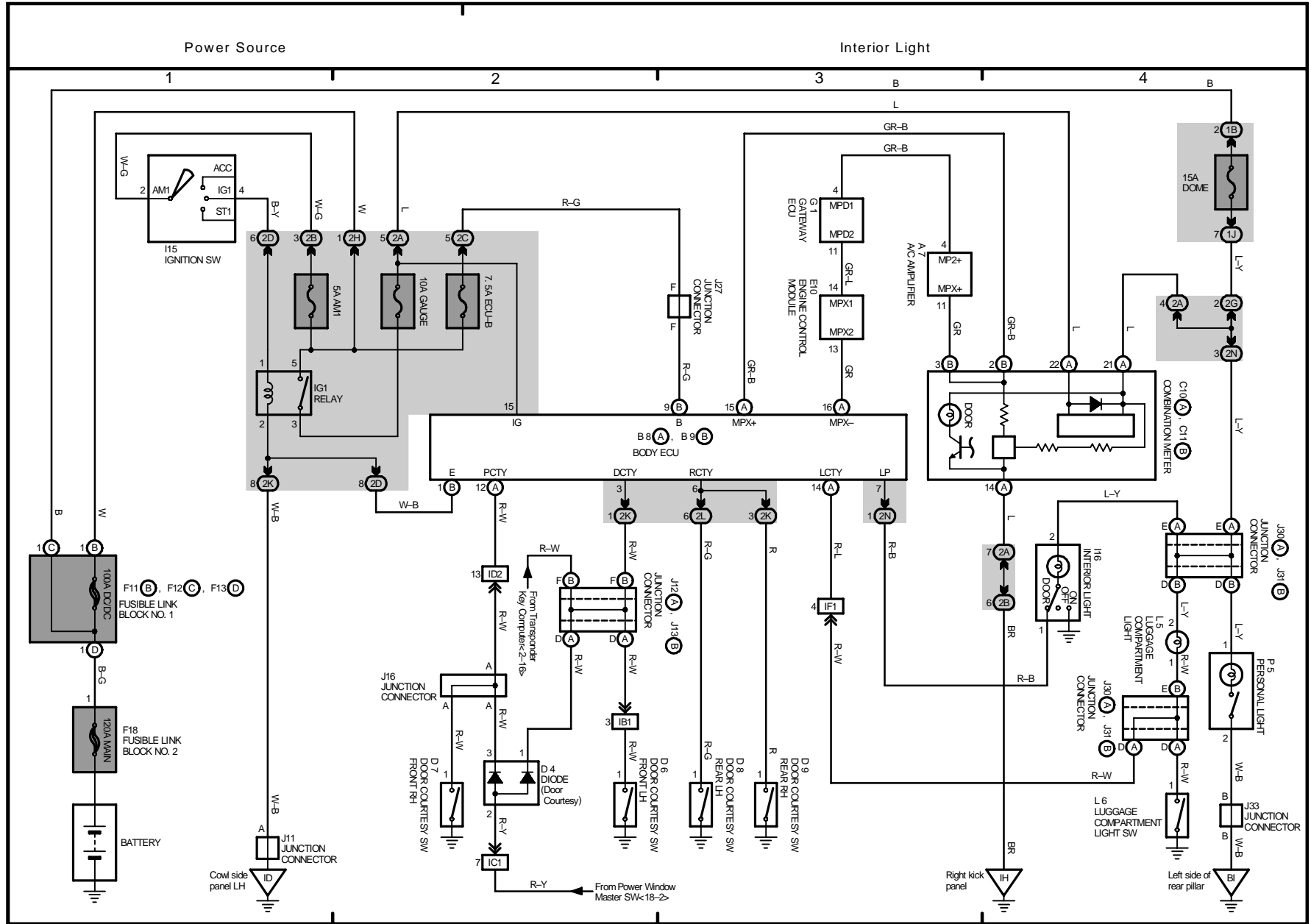


# M OVERALL ELECTRICAL WIRING DIAGRAM

9 PRIUS

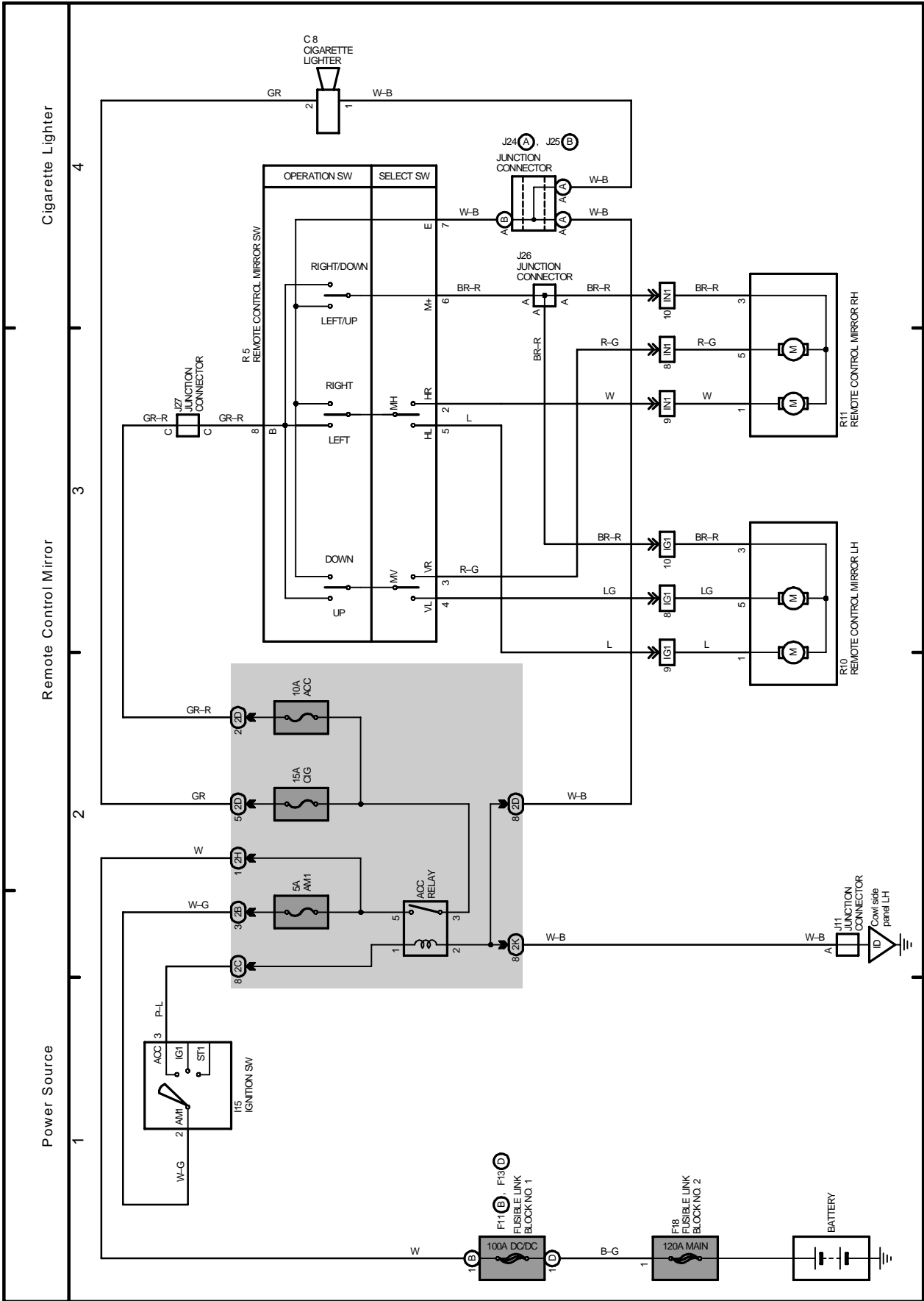


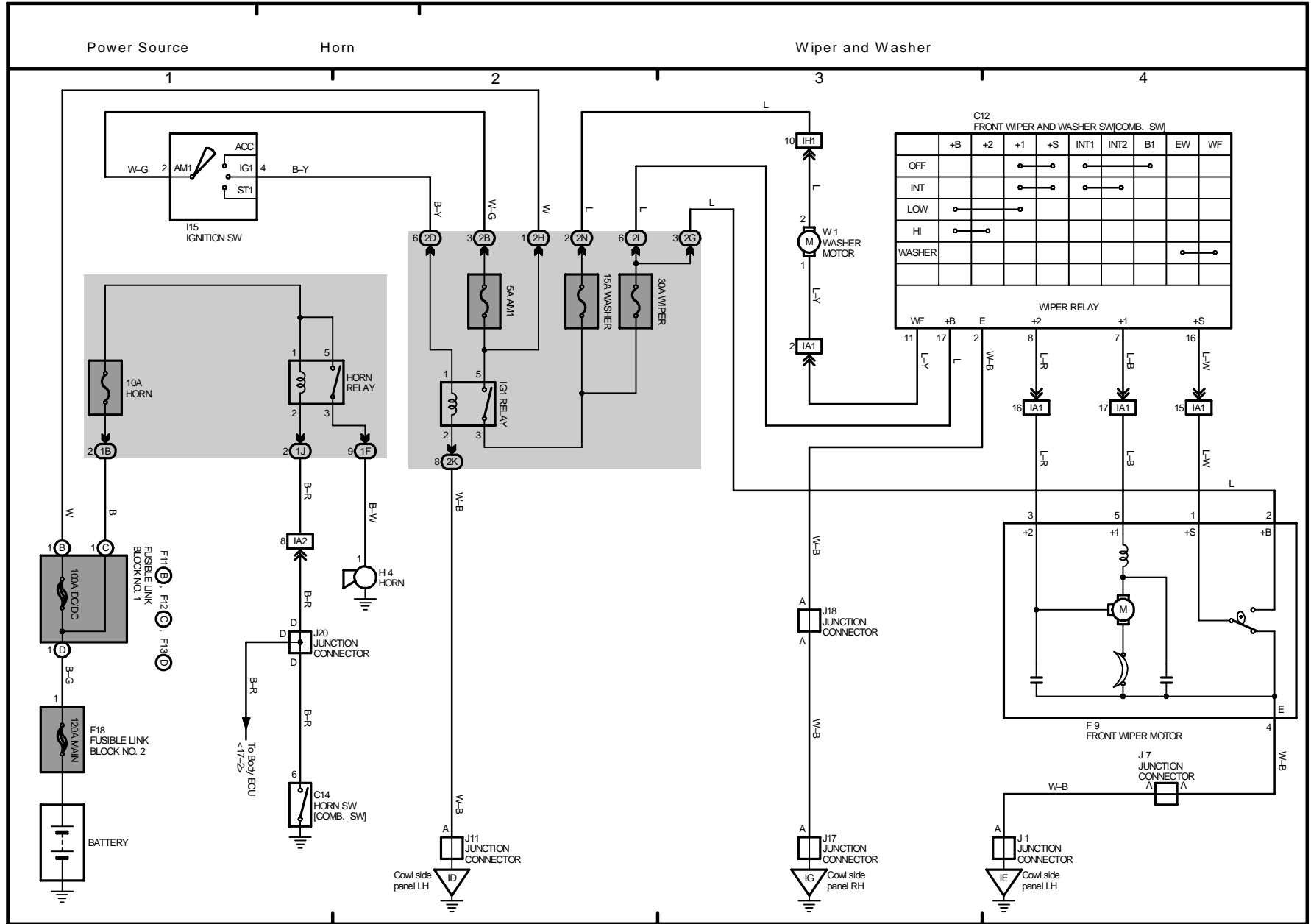




# M OVERALL ELECTRICAL WIRING DIAGRAM

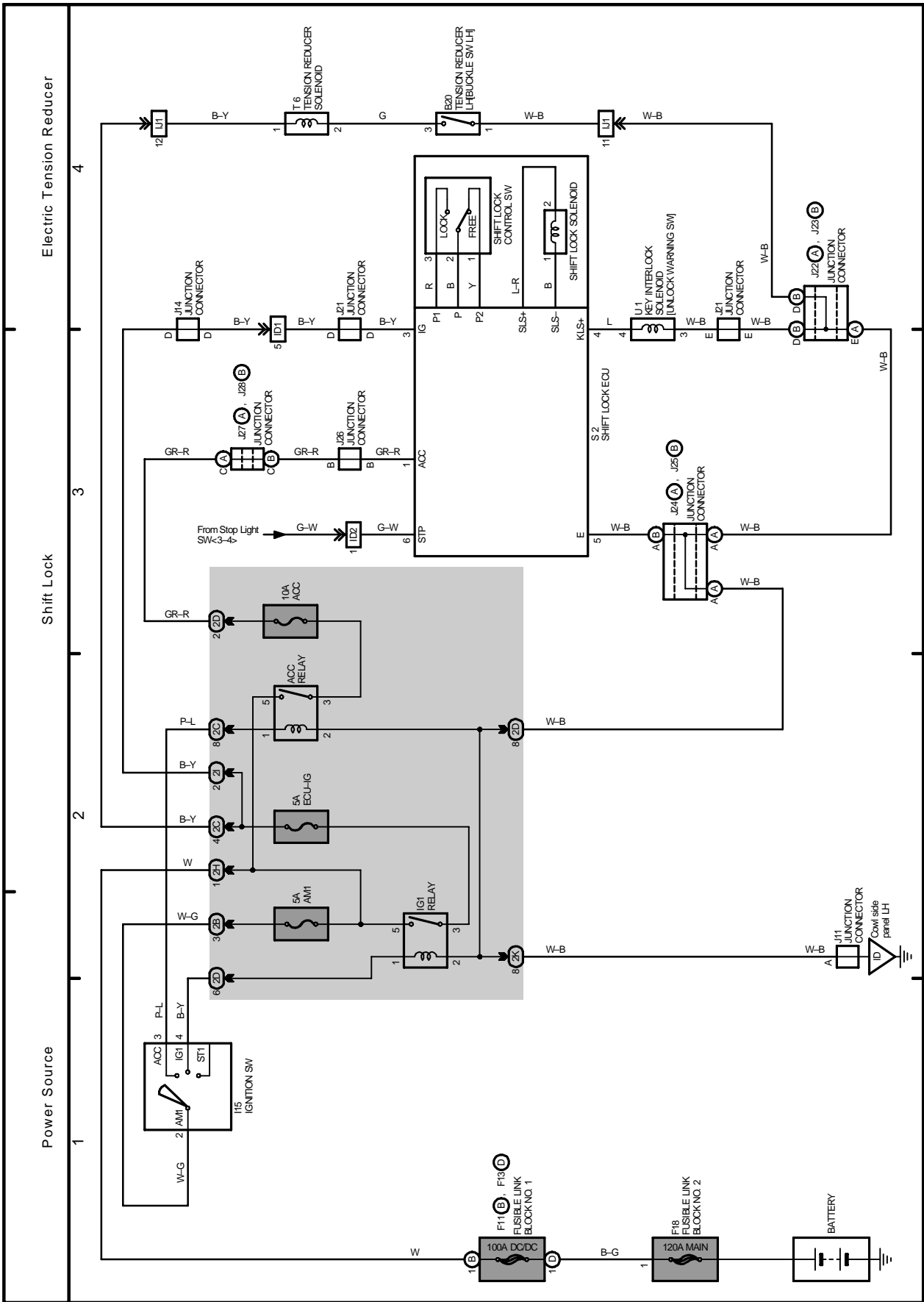
11 PRIUS





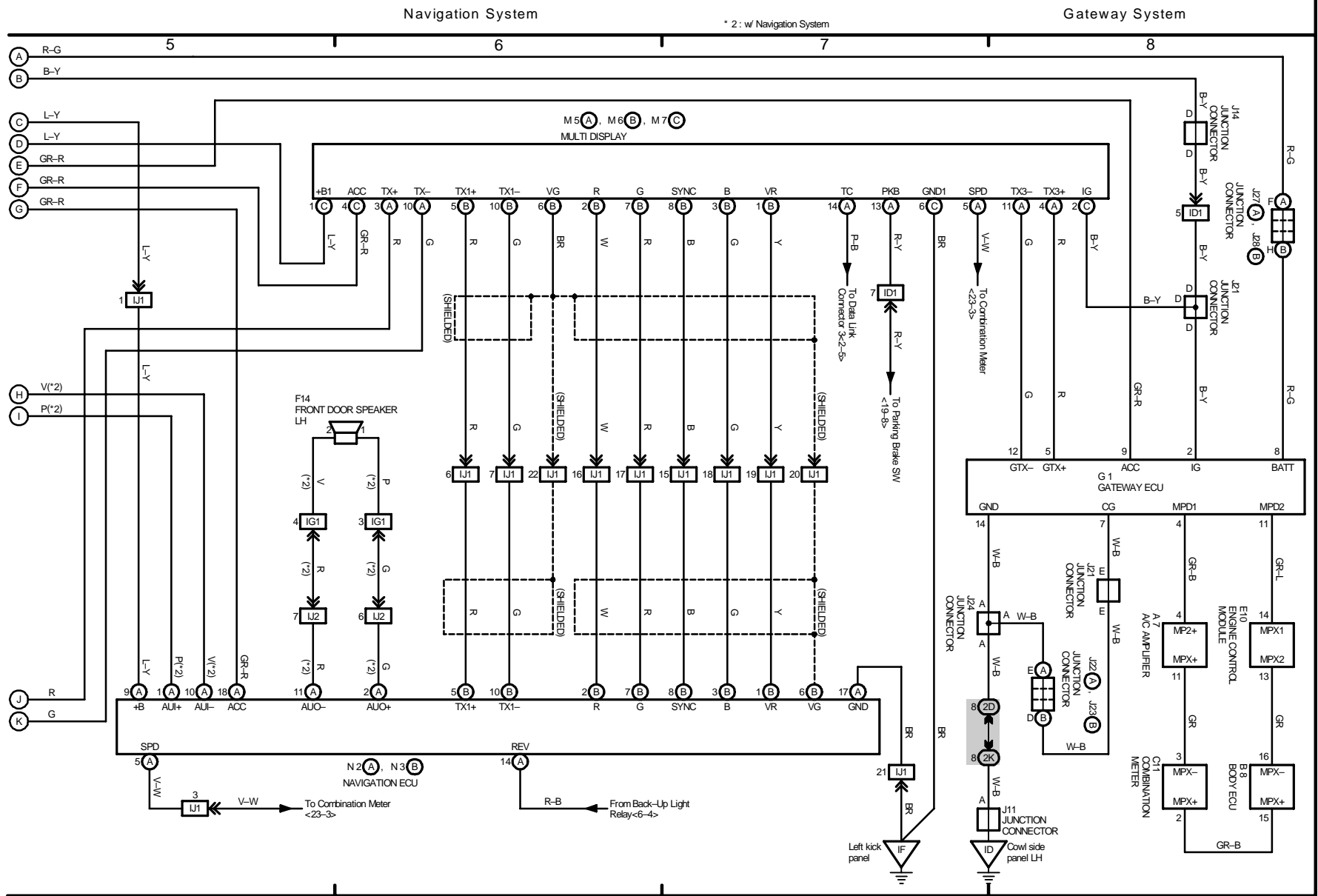
# M OVERALL ELECTRICAL WIRING DIAGRAM

13 PRIUS







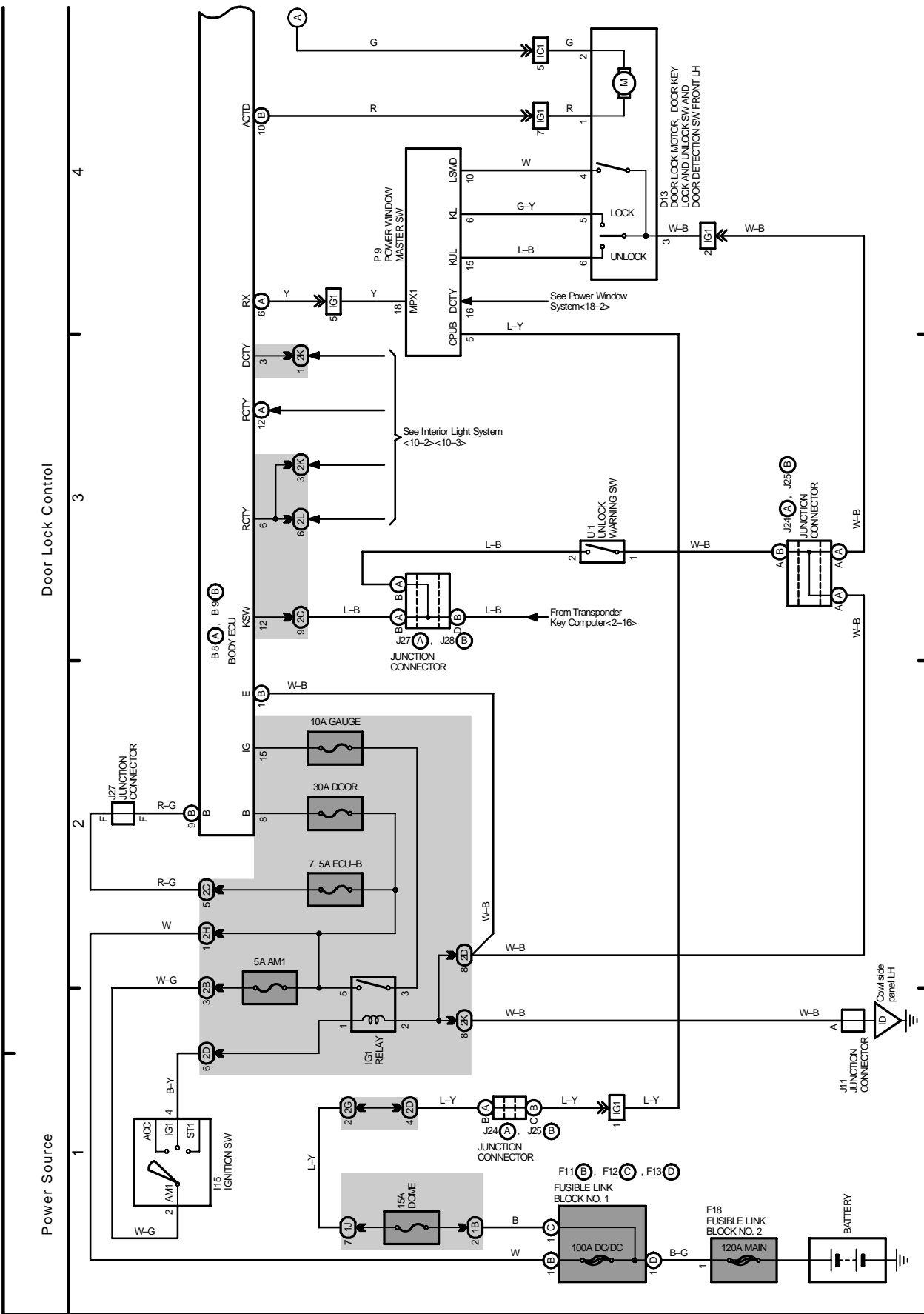


2002 PRIUS (EWD464U)

# M OVERALL ELECTRICAL WIRING DIAGRAM

(Cont. next page)

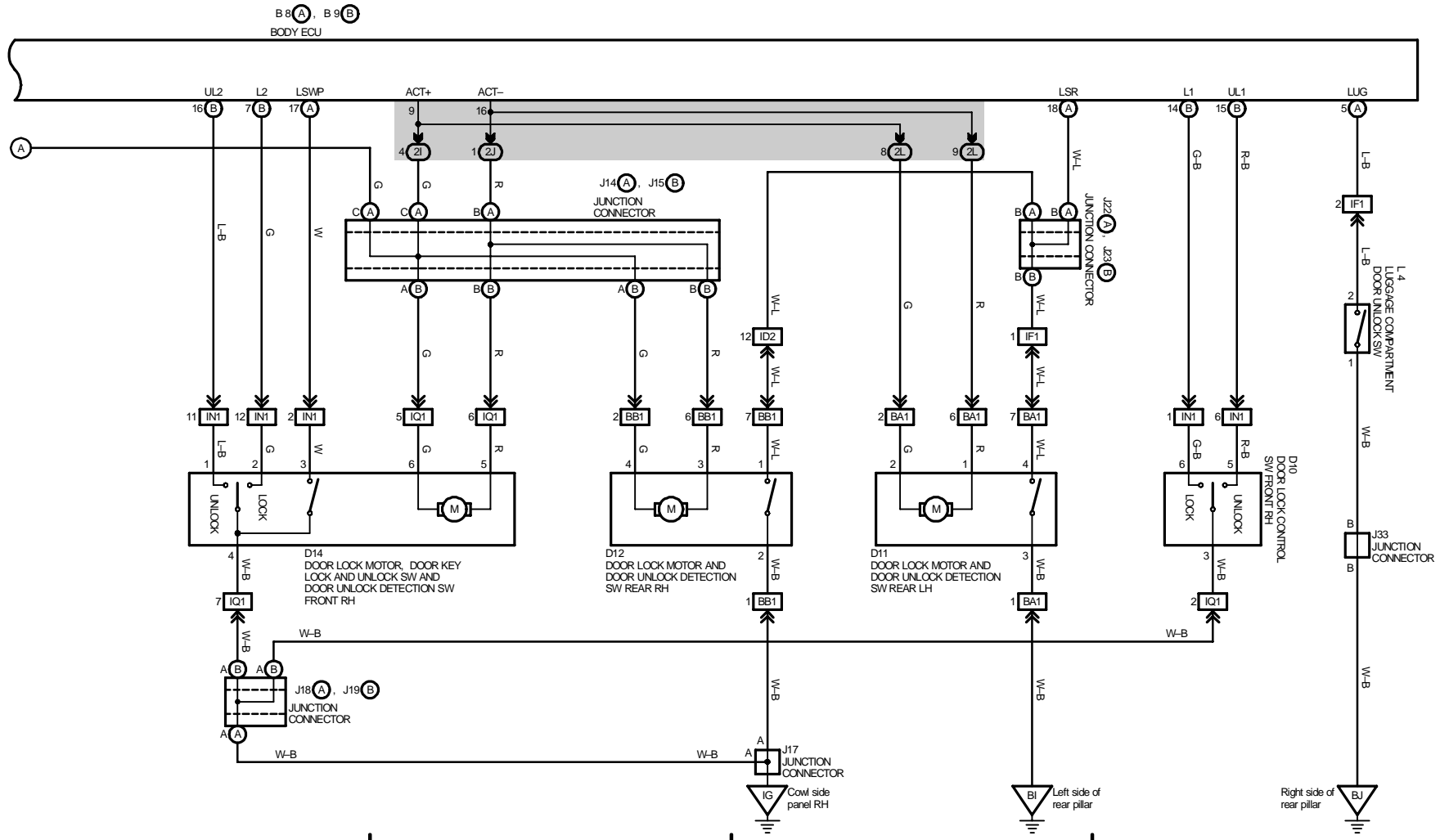
15 PRIUS





Door Lock Control

5 6 7 8

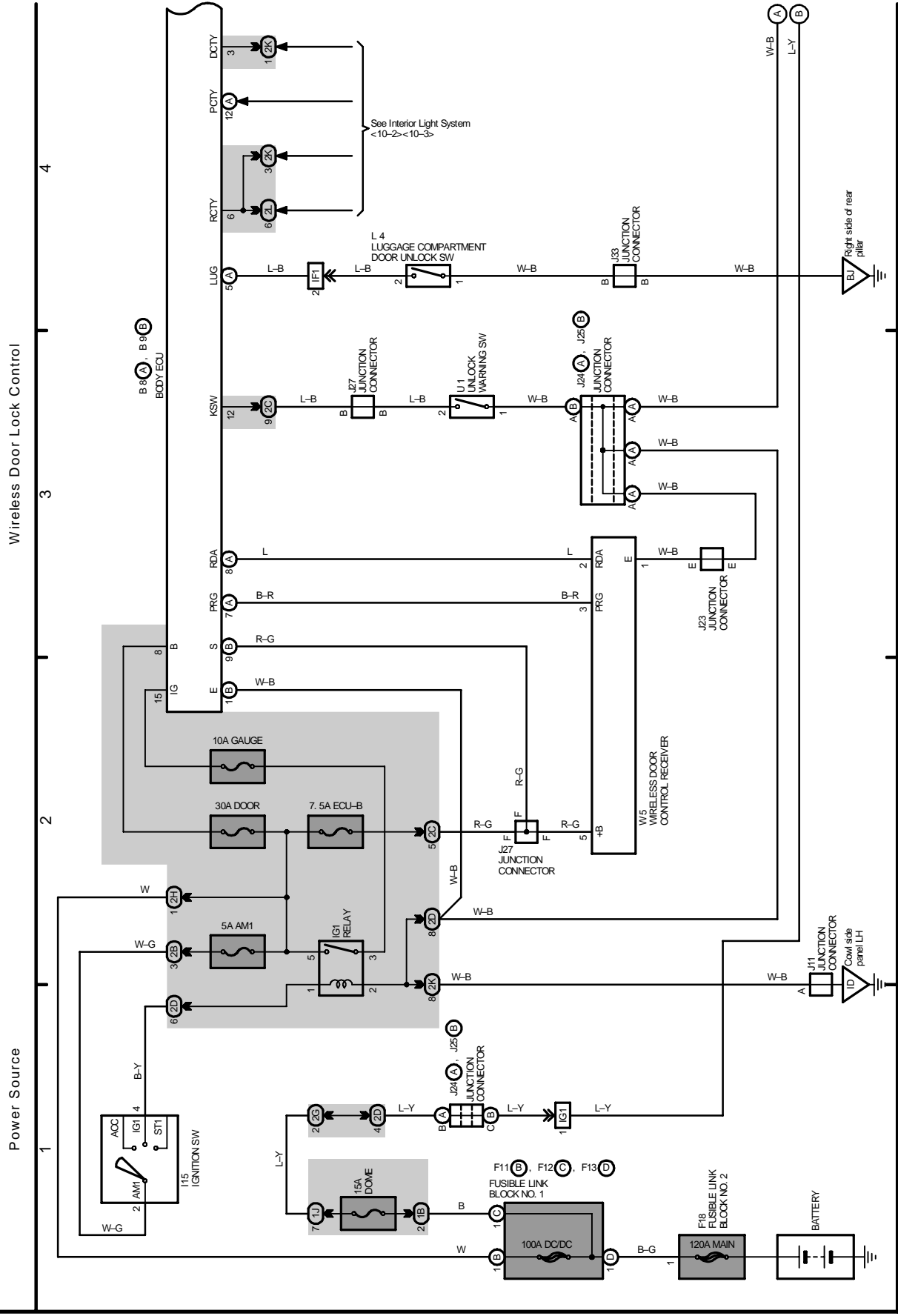


2002 PRIUS (EWD464U)

# M OVERALL ELECTRICAL WIRING DIAGRAM

(Cont. next page)

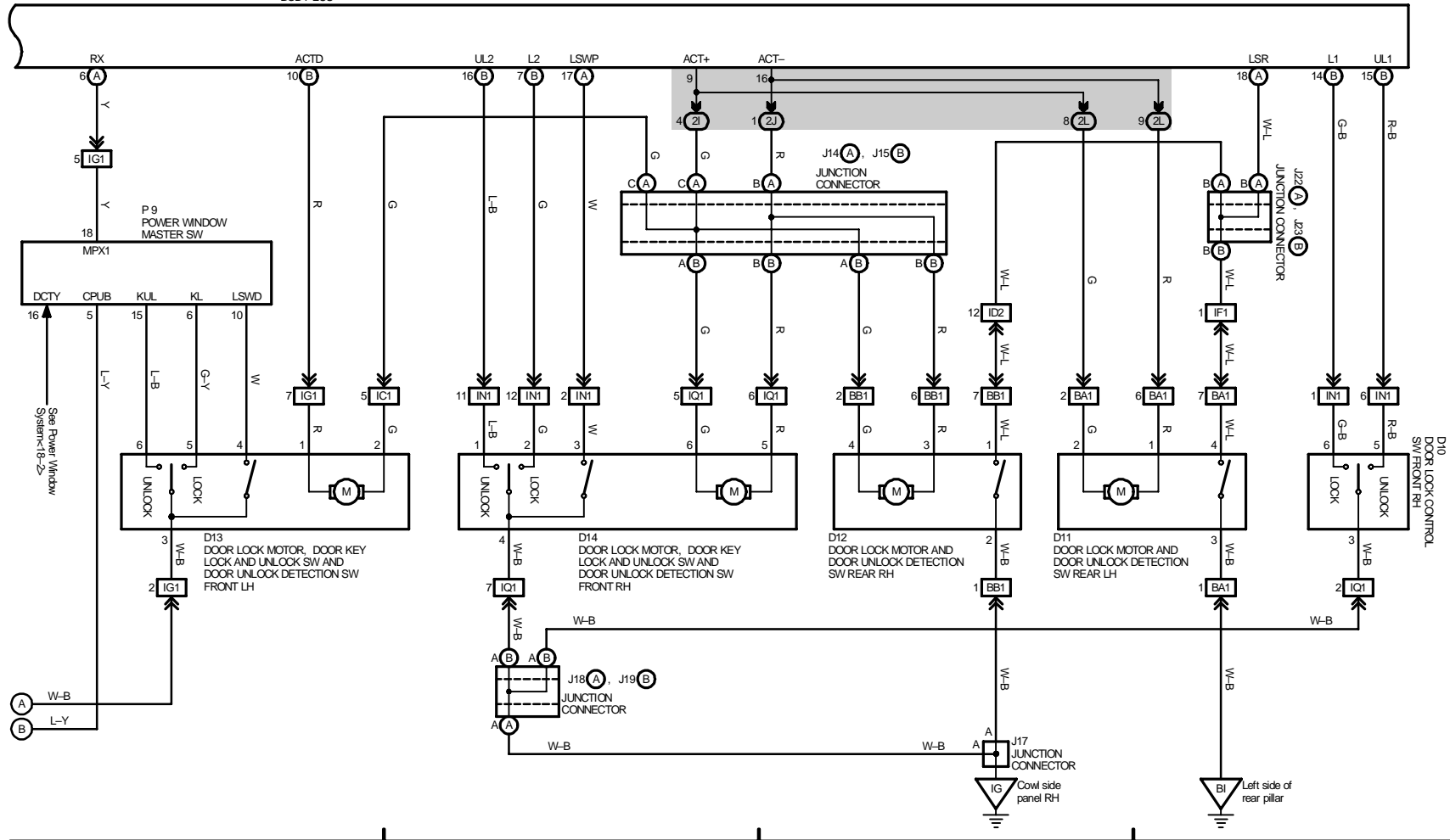
16 PRIUS



Wireless Door Lock Control

5 6 7 8

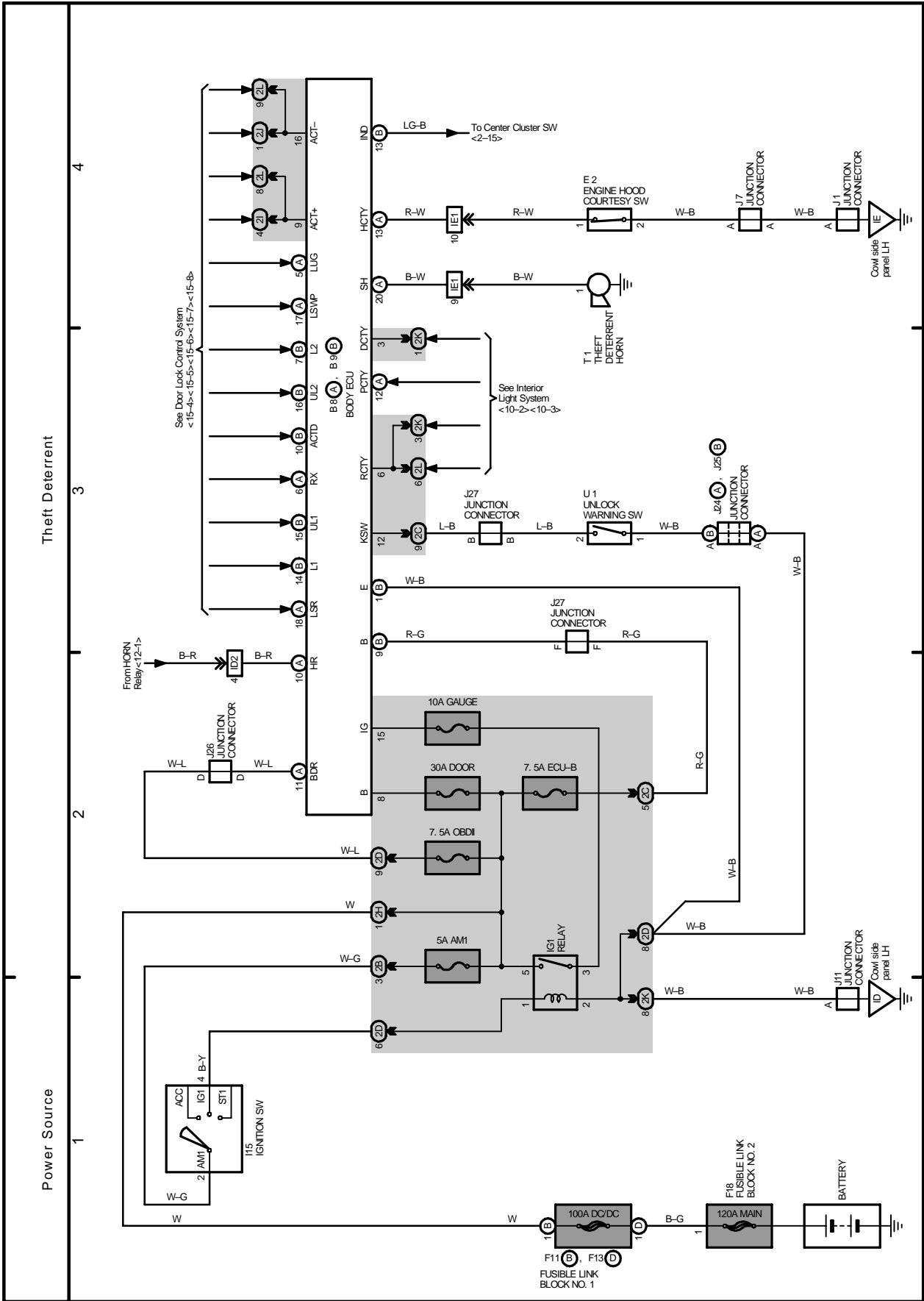
B 8 (A), B 9 (B)  
BODY ECU

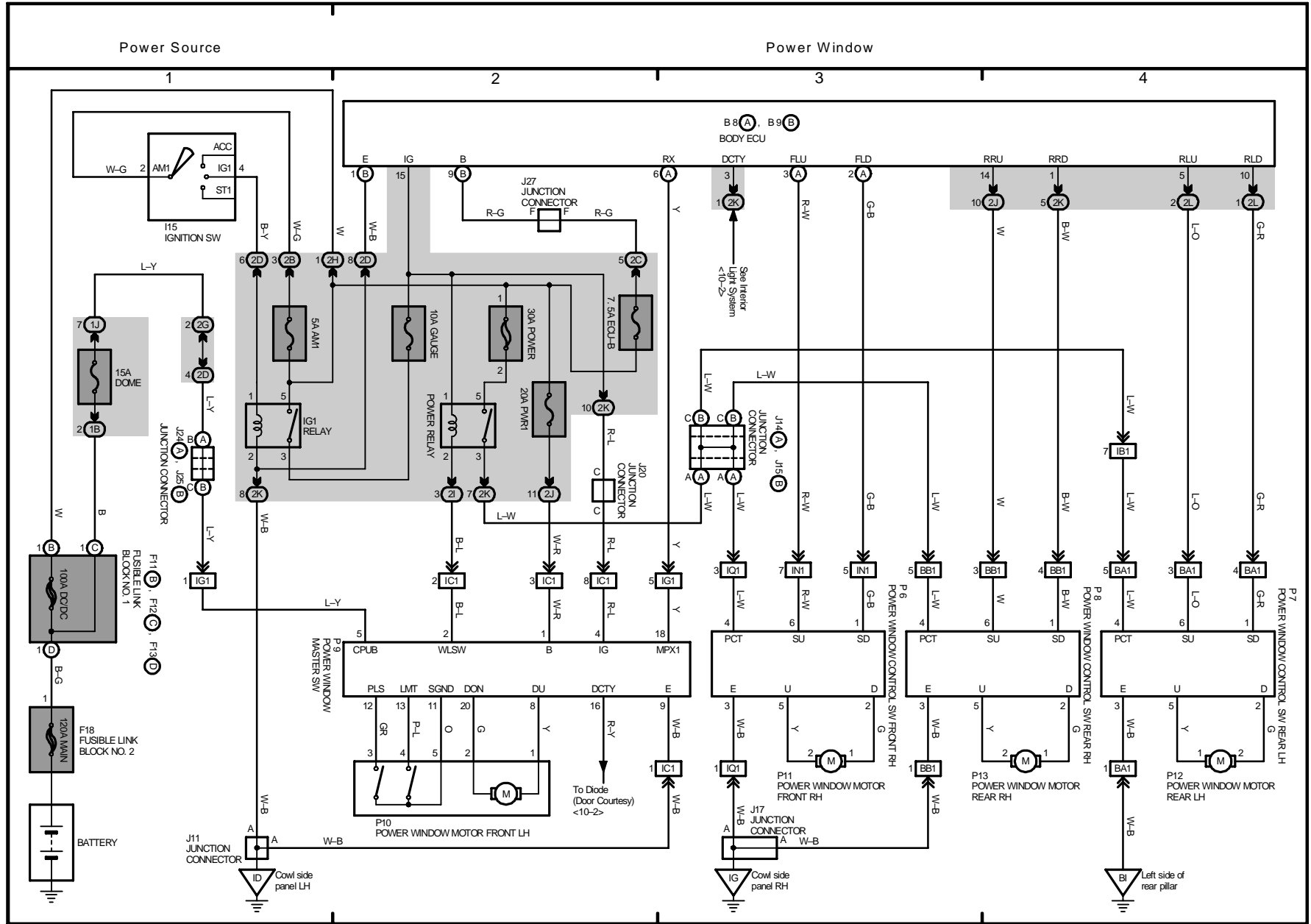


2002 PRIUS (EWD464U)

# M OVERALL ELECTRICAL WIRING DIAGRAM

17 PRIUS

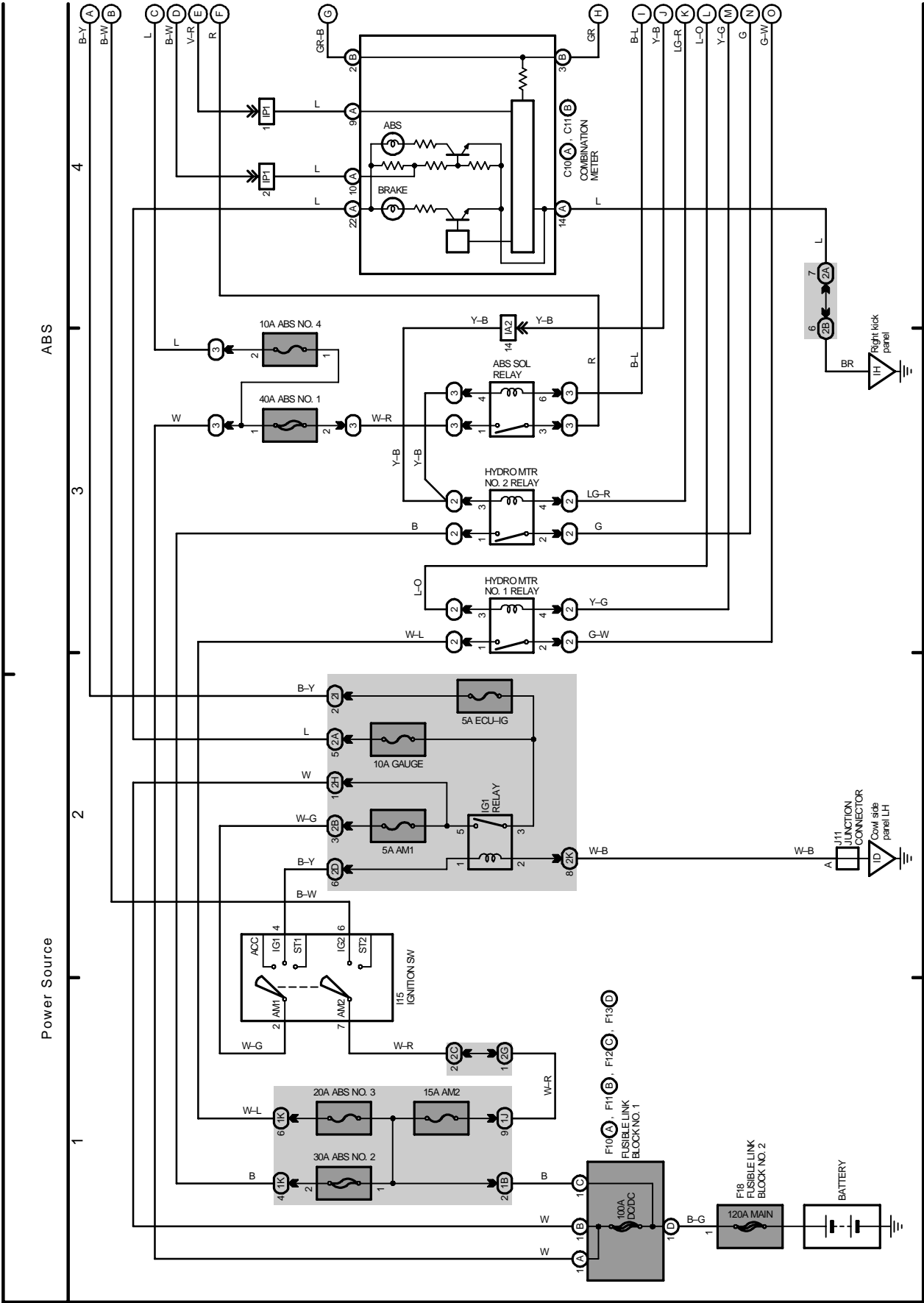




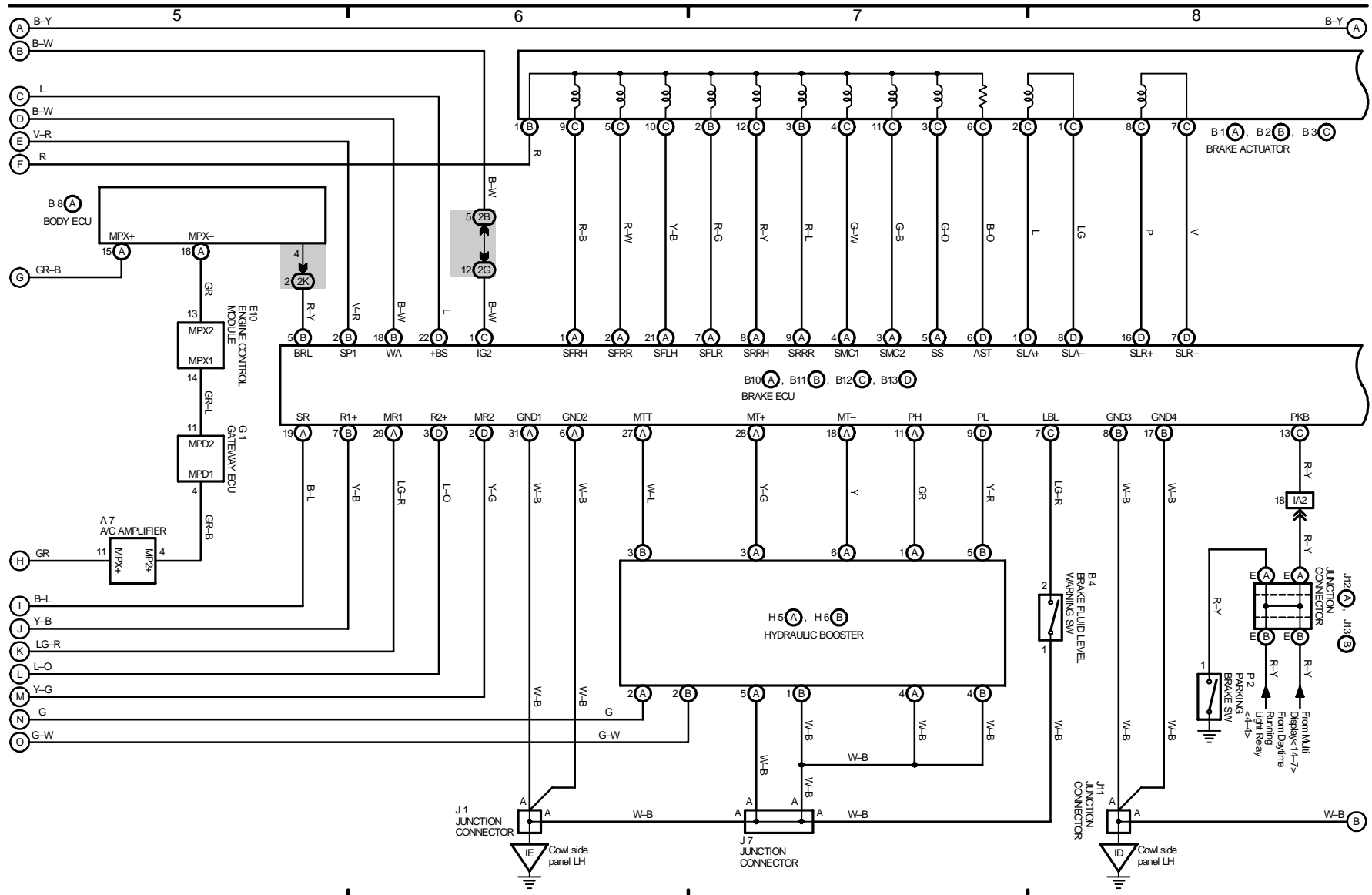
# M OVERALL ELECTRICAL WIRING DIAGRAM

19 PRIUS

(Cont. next page)



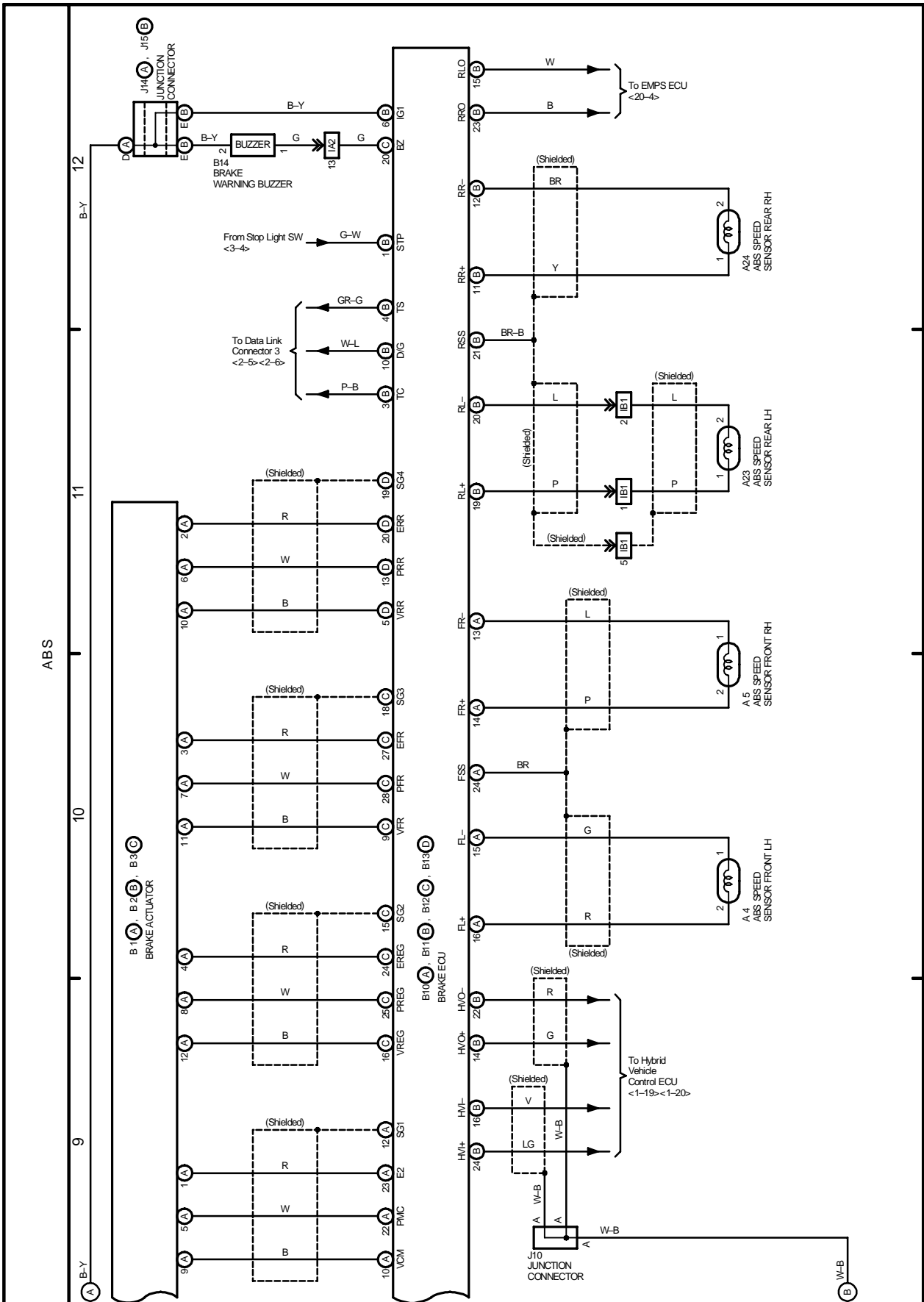
ABS



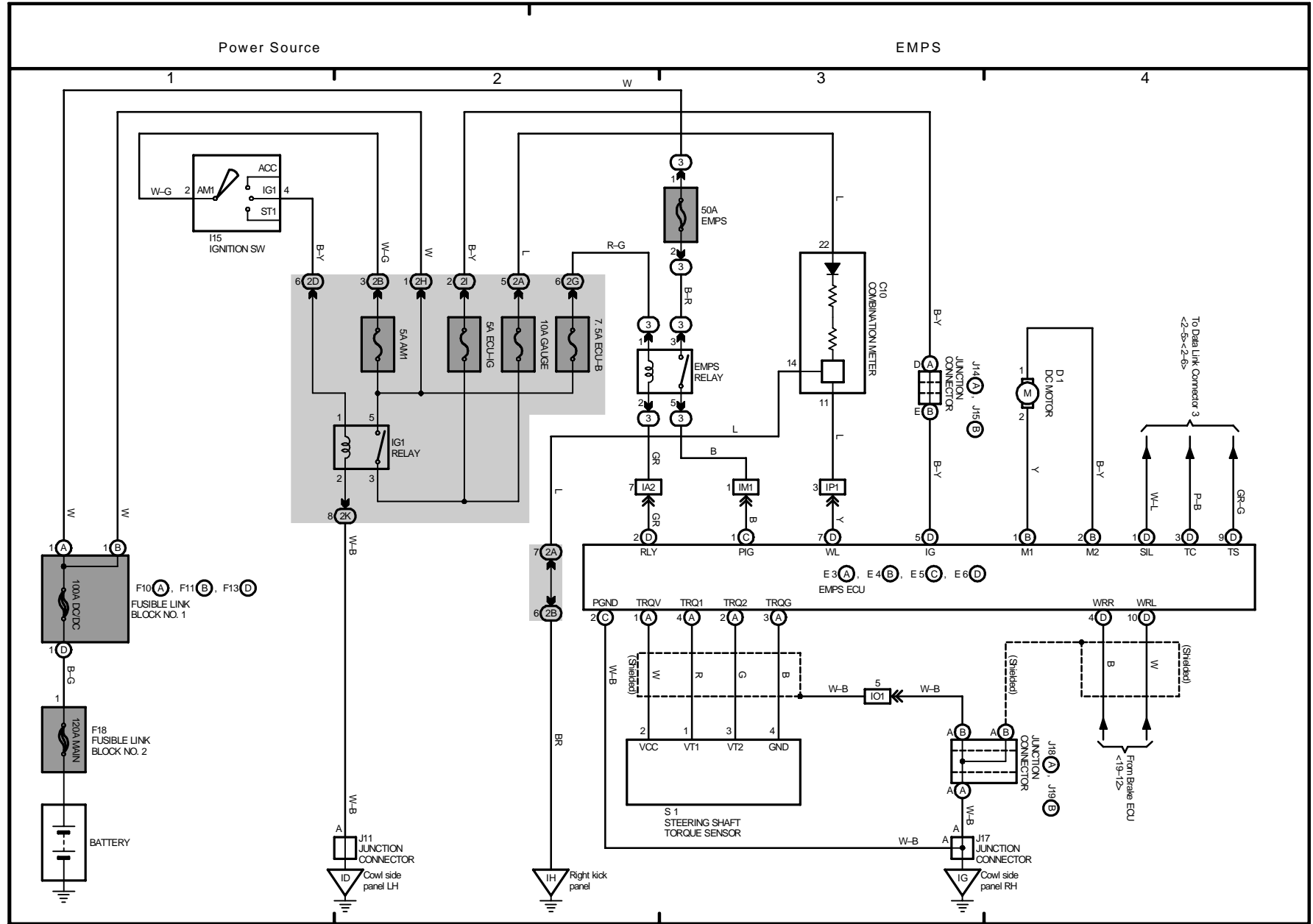
2002 PRIUS (EWD464U)

# M OVERALL ELECTRICAL WIRING DIAGRAM

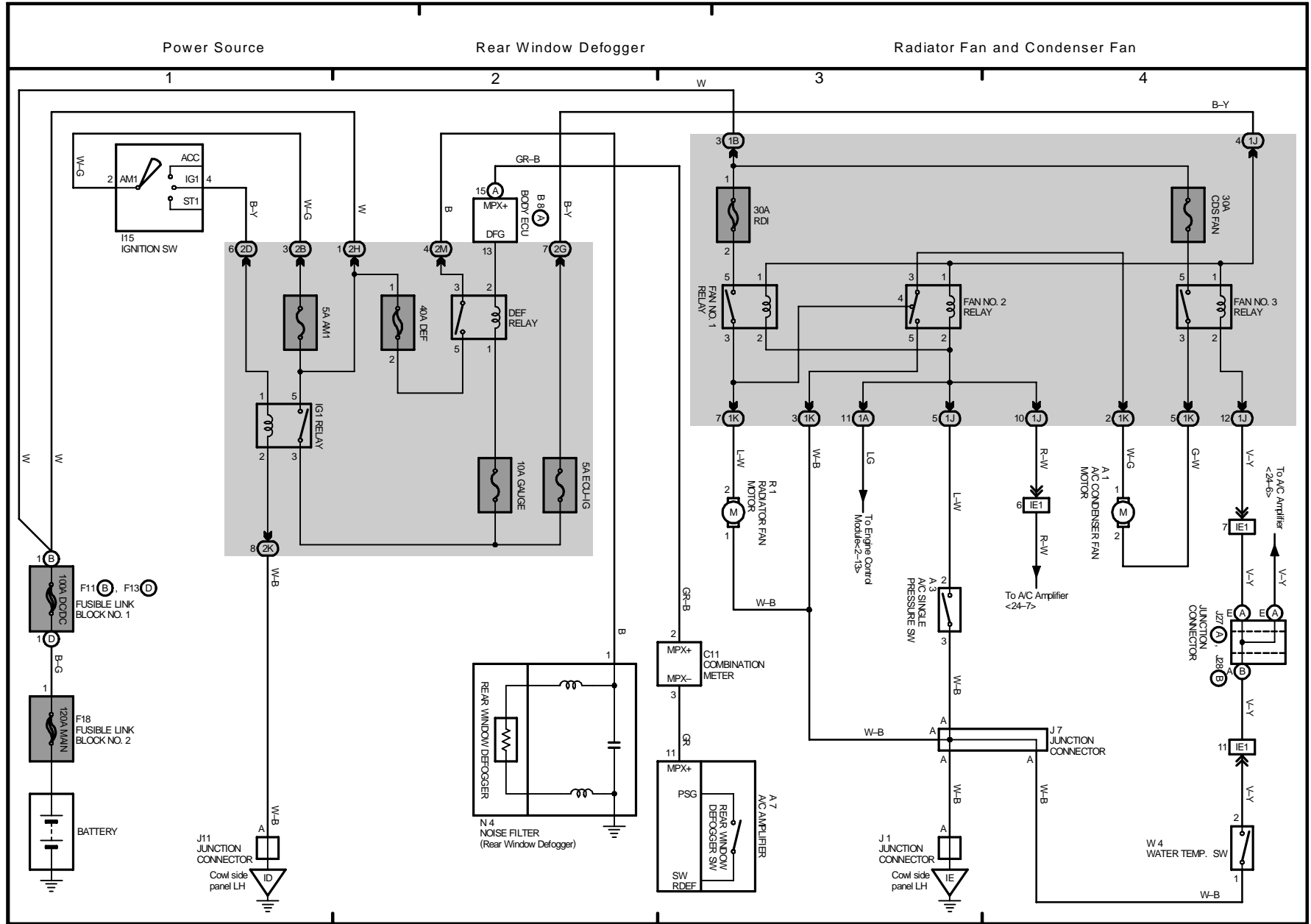
19 PRIUS (Cont' d)







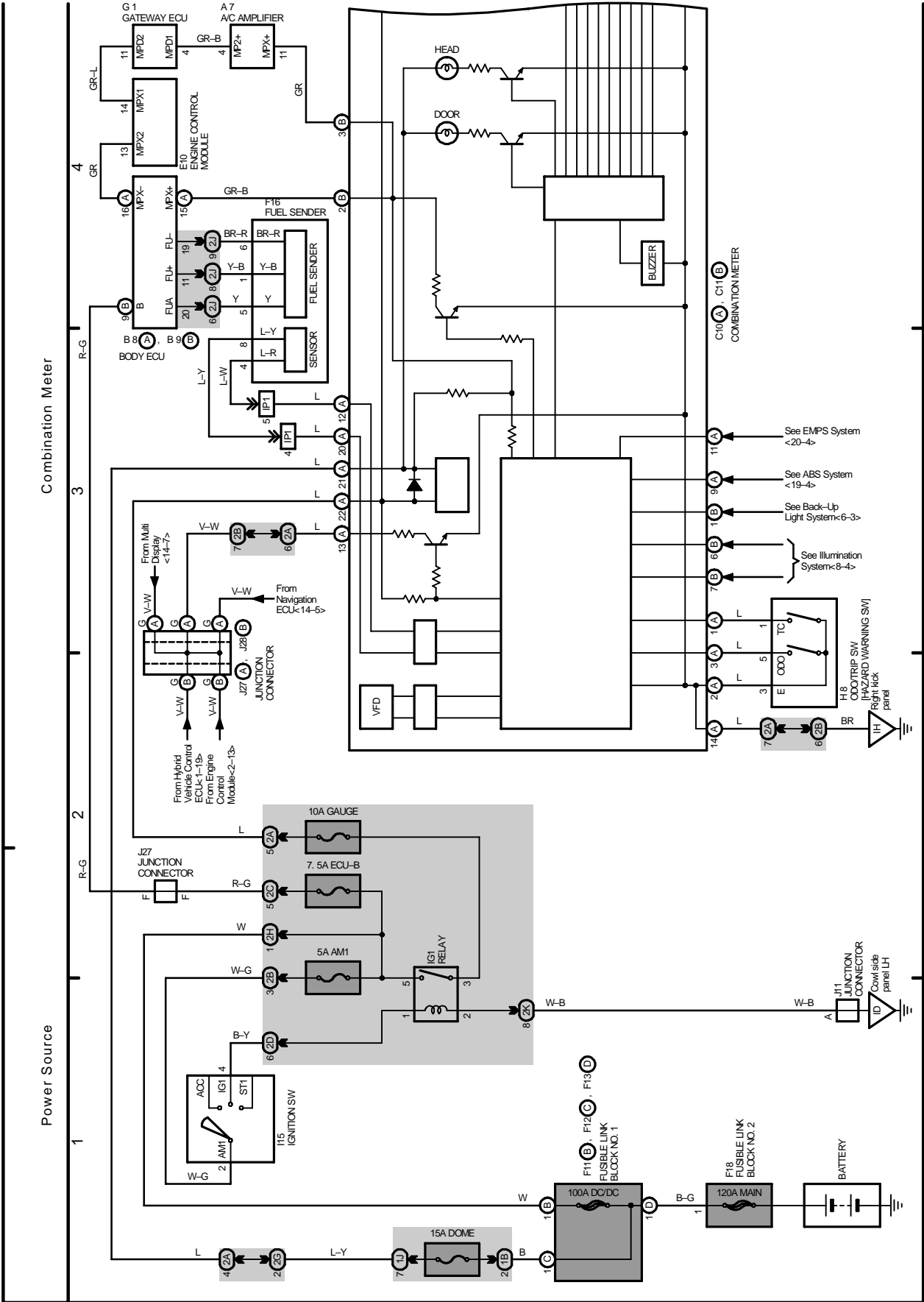




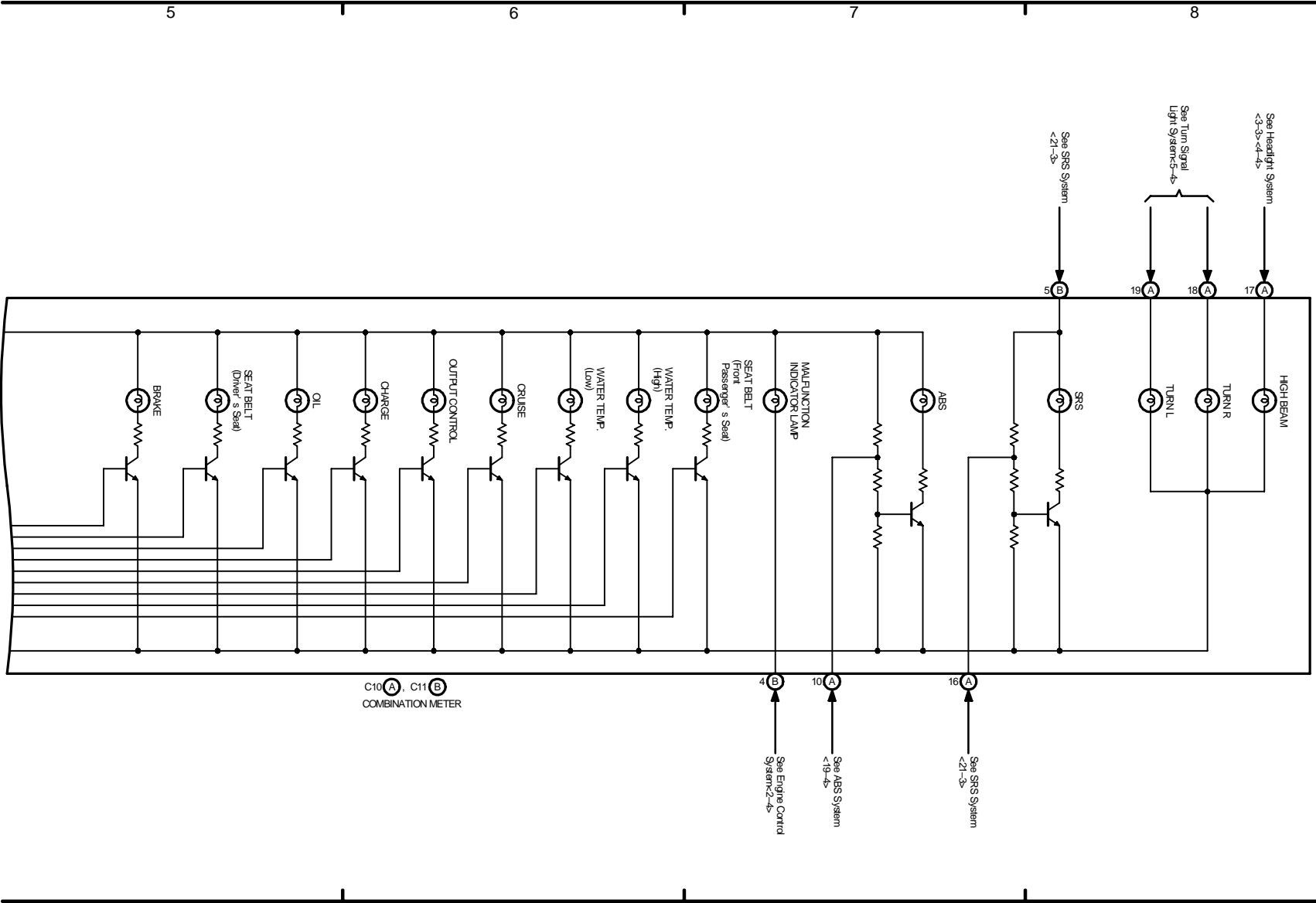
# M OVERALL ELECTRICAL WIRING DIAGRAM

23 PRIUS

(Cont. next page)



Combination Meter



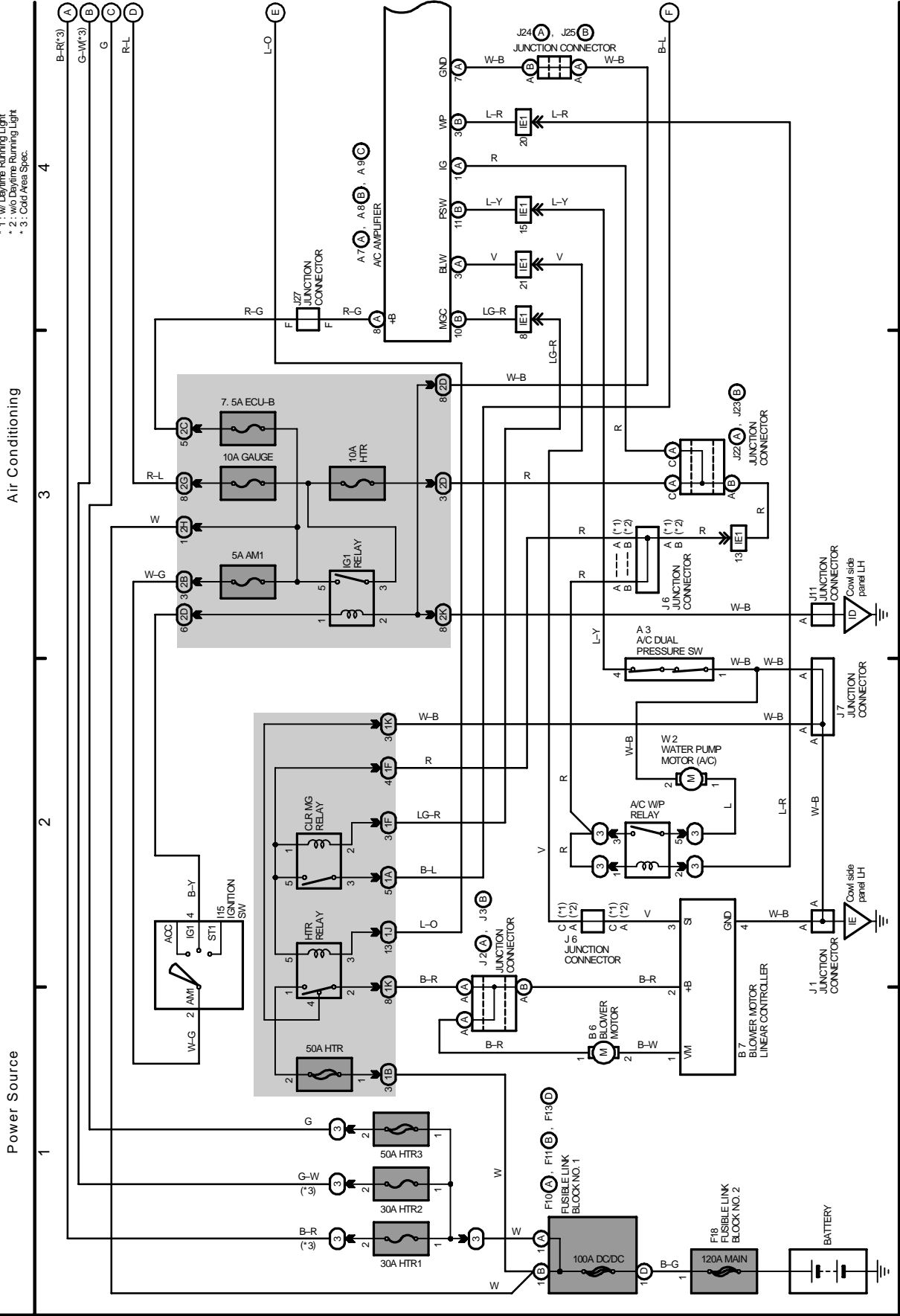
C10 (A), C11 (B)  
COMBINATION METER

# M OVERALL ELECTRICAL WIRING DIAGRAM

24 PRIUS

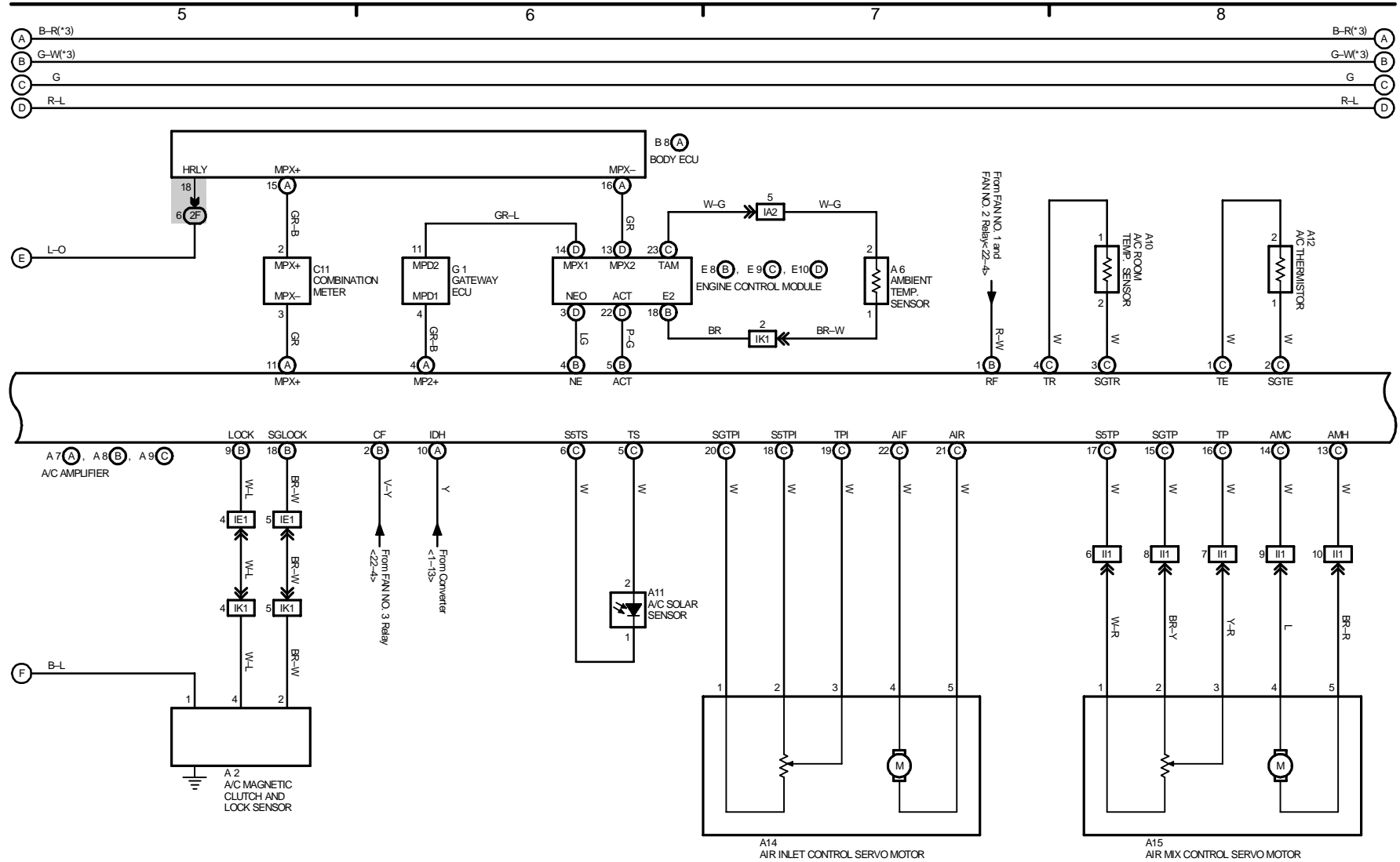
(Cont. next page)

- \* 1: w/ Daytime Running Light
- \* 2: w/o Daytime Running Light
- \* 3: Cdd Area Spec.



Air Conditioning

\* 3 : Cold Area Spec.



2002 PRIUS (EWD464U)

# M OVERALL ELECTRICAL WIRING DIAGRAM

24 PRIUS (Cont' d)

